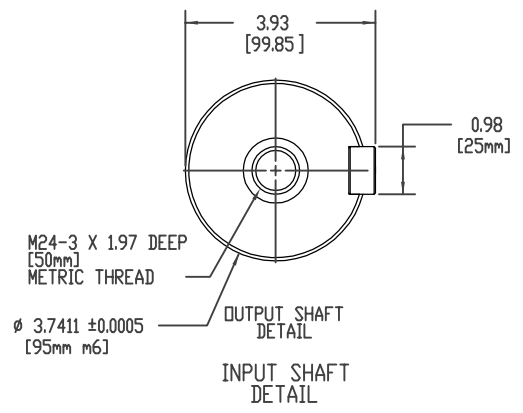
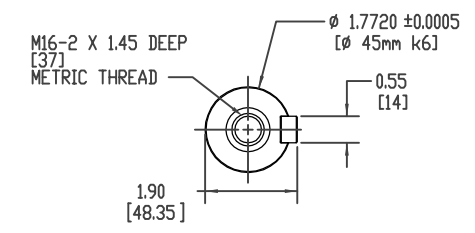
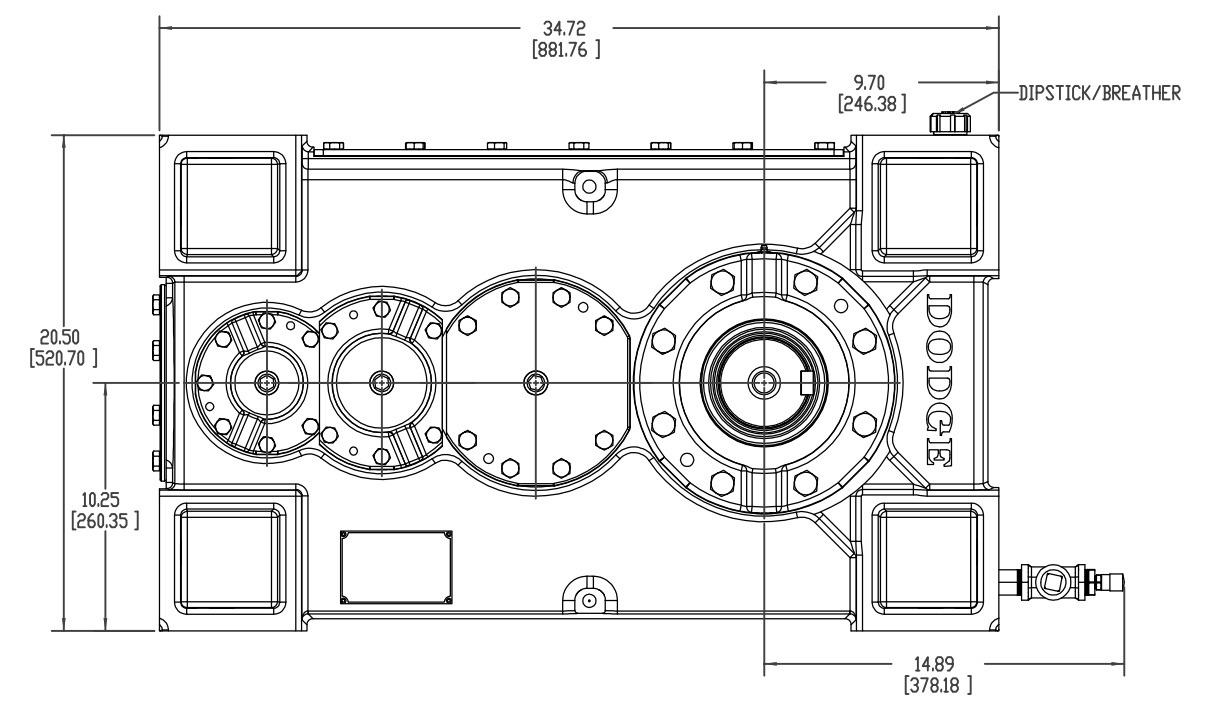
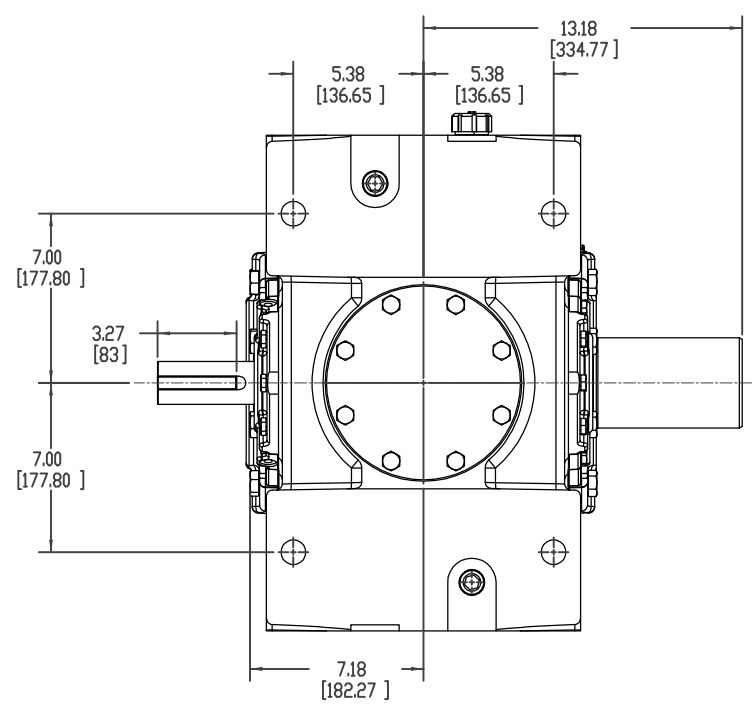
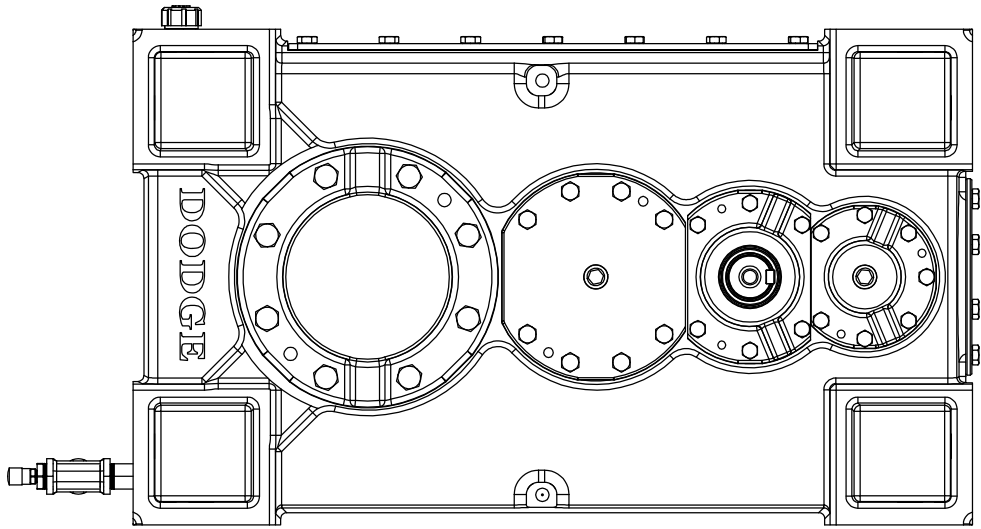
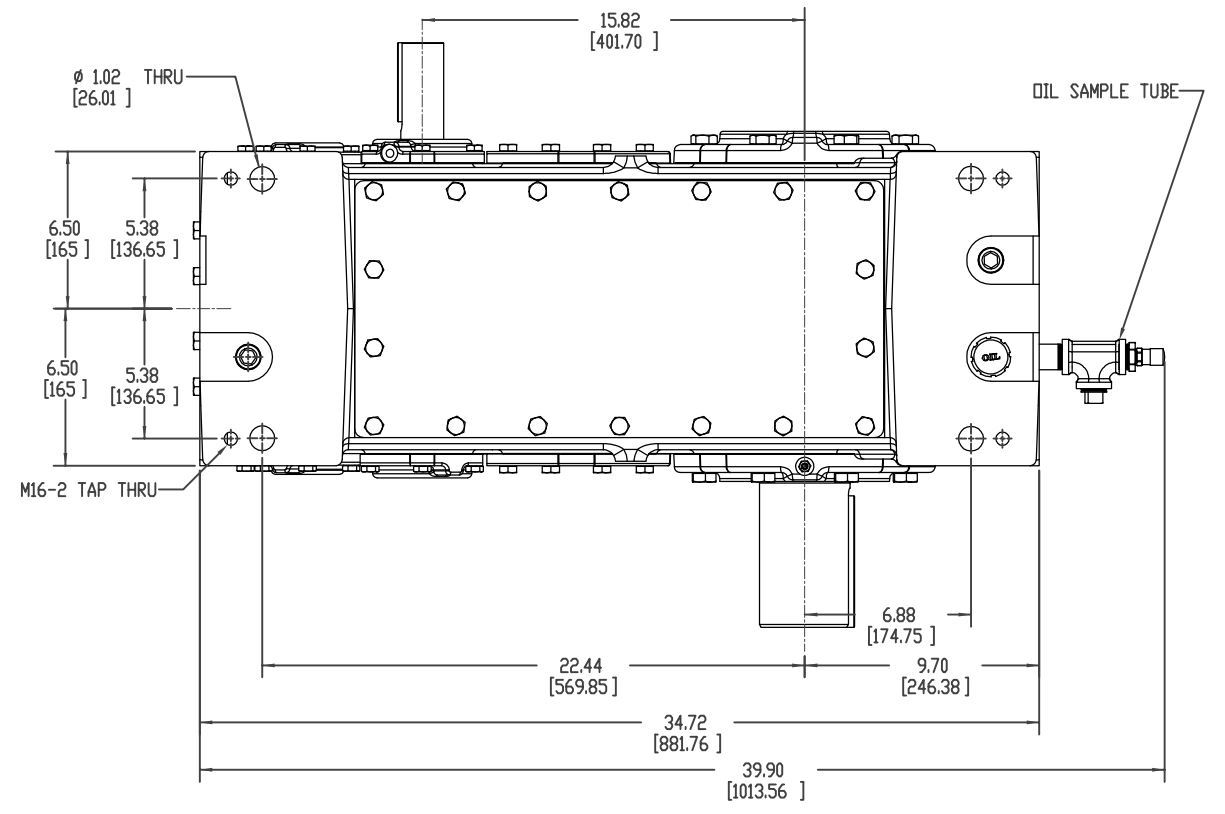
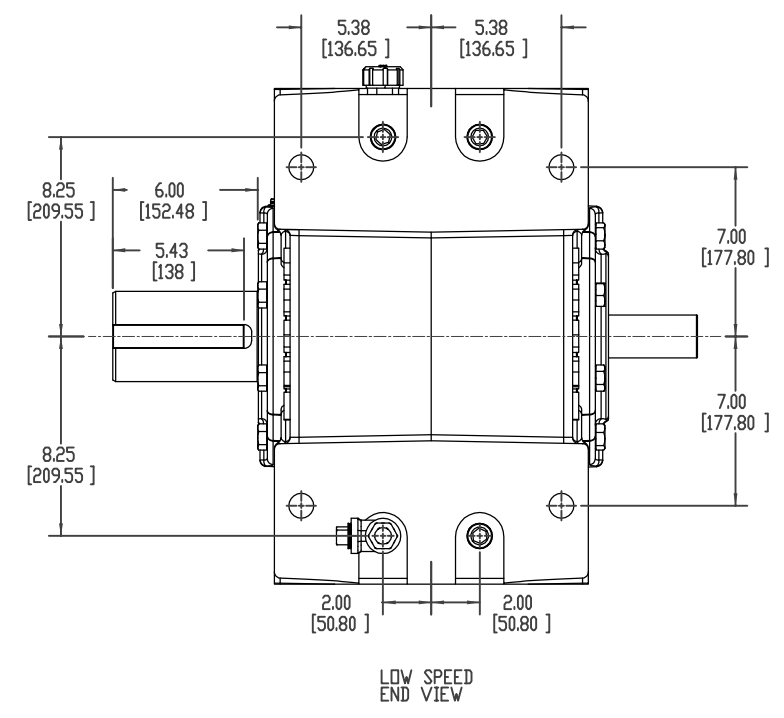
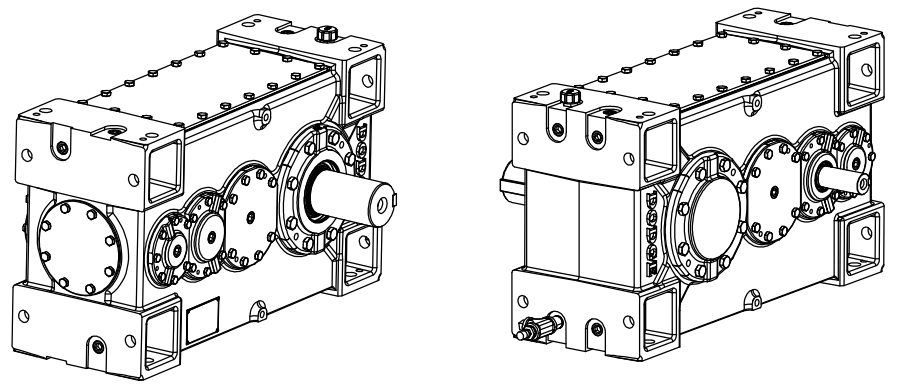


CUSTOMER ORDER NO: \_\_\_\_\_

3 STAGE REDUCER  
 MODEL NUMBER: 150K  
 OVERALL RATIO: \_\_\_\_\_:1  
 AGMA CLASS 1 RATING: \_\_\_\_\_ HP @ \_\_\_\_\_ RPM  
 SERVICE FACTOR: \_\_\_\_\_  
 1138 Lbs.



BALDOR-DODGE-RELIANCE PROPRIETARY & CONFIDENTIAL- THIS DRAWING IS THE PROPERTY OF BALDOR-DODGE-RELIANCE AND/OR ITS SUBSIDIARIES AND IS NOT TO BE USED, DUPLICATED OR DISCLOSED WITHOUT THE EXPRESS WRITTEN PERMISSION OF THE COMPANY.									
MATERIAL		DIMENSION TOLERANCE UNLESS OTHERWISE SPECIFIED			PRODUCT			REVISION DESCRIPTION	
CASTING OR FORGING NO.		MACHINE TOL PER S022 FABRICATION TOL PER S356 CASTING TOL PER S249			MAGNAGEAR 100K			DIST	
TREATMENT		- BRK ALL SHRP CORNERS 0.005-0.015			PART			SHEET NUMBER	
DRAWN BY: BL		DESIGNED BY: CN			PART			SHEET NUMBER	
DATE: 8/14/08		DATE: 8/14/08			SCALE: 1:4			SHEET NUMBER	
DATE: 8/14/08		DATE: 8/14/08			SUPERSEDES			REV	
DRAWING NUMBER					452240-solid				
BALDOR-DODGE					3 OF 4				