

CUSTOMER ORDER NO: -----

3 STAGE REDUCER

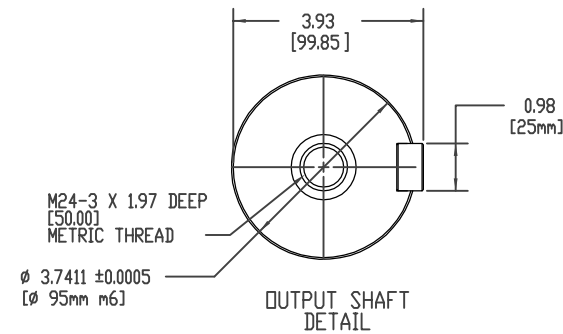
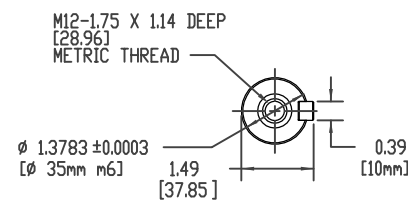
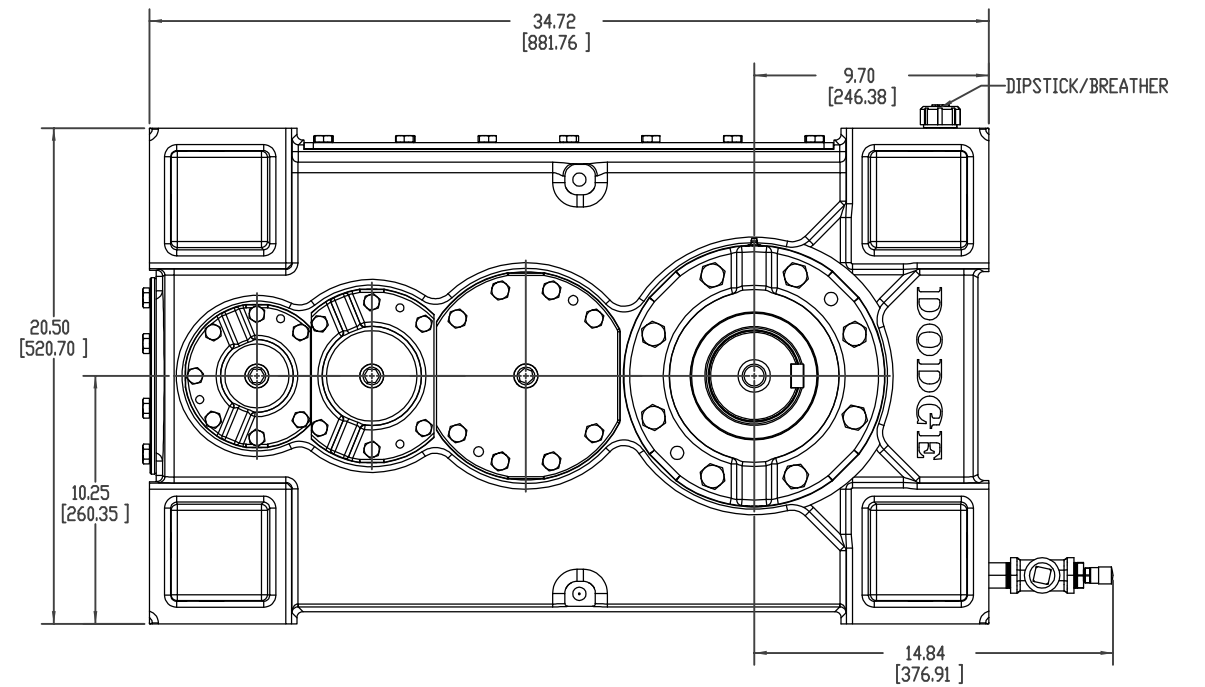
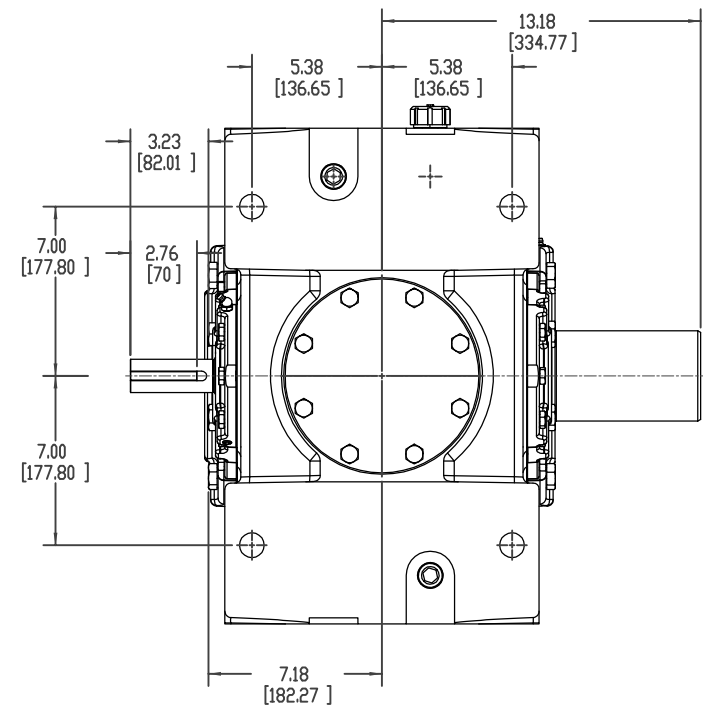
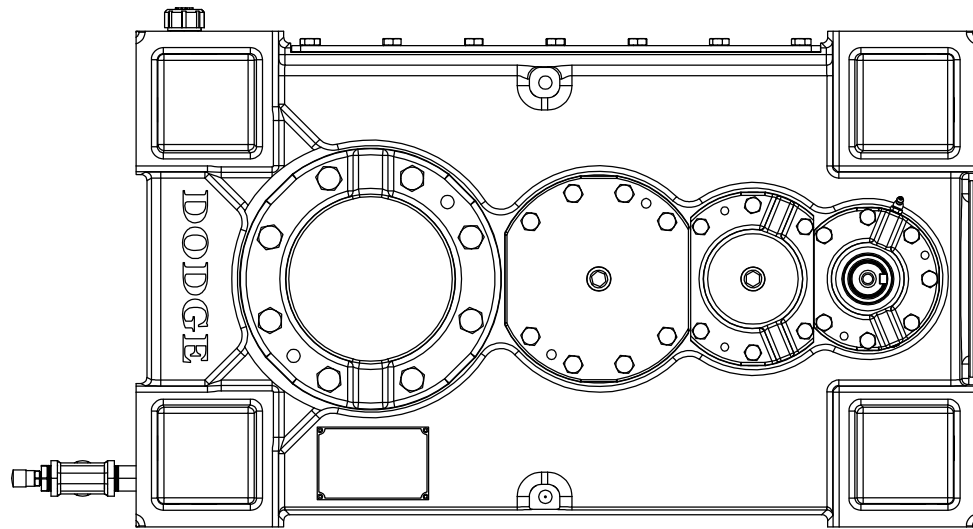
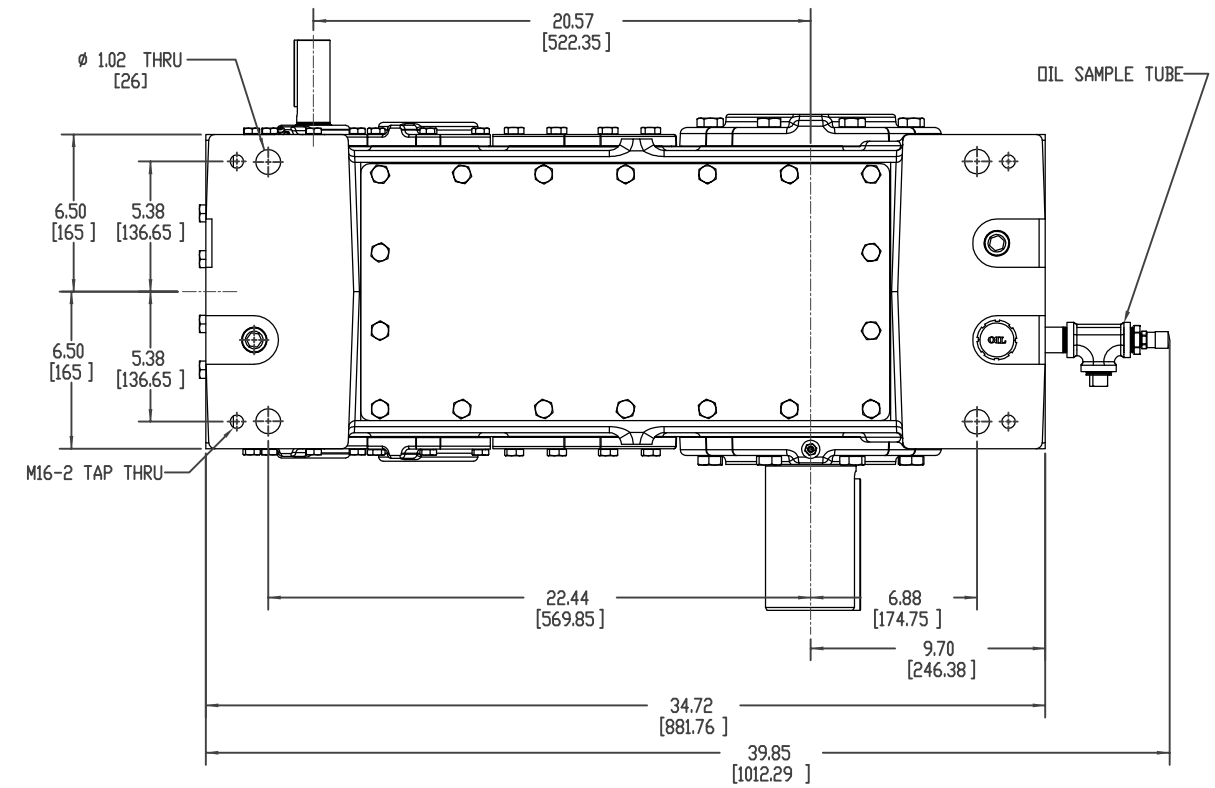
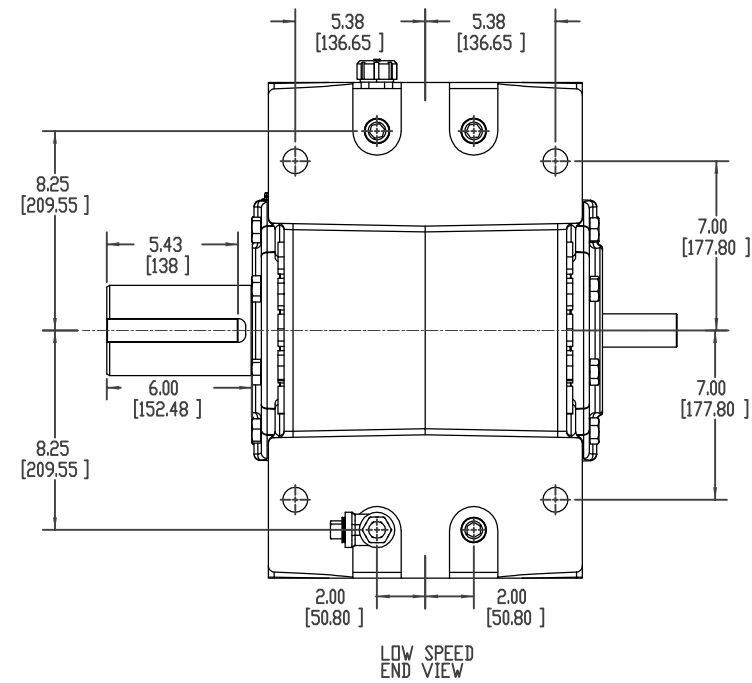
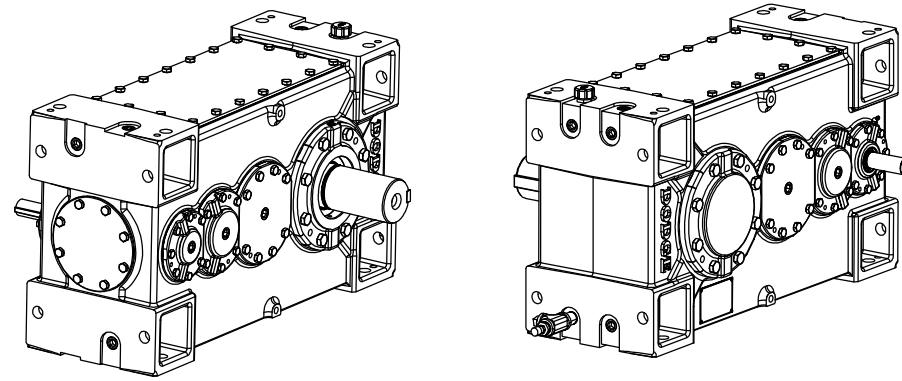
MODEL NUMBER: 150K

OVERALL RATIO: -----:1

AGMA CLASS 1 RATING: ----- HP @ ----- RPM

SERVICE FACTOR: -----

1163 Lbs.



BALDOR-DODGE-RELIANCE PROPRIETARY & CONFIDENTIAL- THIS DRAWING IS THE PROPERTY OF BALDOR-DODGE-RELIANCE AND/OR ITS SUBSIDIARIES AND IS NOT TO BE USED, DUPLICATED OR DISCLOSED WITHOUT THE EXPRESS WRITTEN PERMISSION OF THE COMPANY.									
MATERIAL		DIMENSION TOLERANCE UNLESS OTHERWISE SPECIFIED				PRODUCT		DIST	
CASTING OR FORGING NO.		MACHINE TOL PER S022		FABRICATION TOL PER S356		PART		MAGNAGEAR 100K	
TREATMENT		CASTING TOL PER S249		-		PARALLEL INPUT-SOLID OUTPUT TRIPLE REDUCTION ASSEMBLY LAYOUT		3 OF 4	
DRAWN BY: B		CHECKED BY: CN		APPROVED BY: MK		SCALE: 1:4		SHEET NUMBER: 3 OF 4	
DATE: 8/15/08		DATE: 8/15/08		DATE: 8/15/08		SUPERVISOR:		REV: -	
DRAWING NUMBER: 452241_solid									