

CUSTOMER ORDER NO: -----

2 STAGE REDUCER

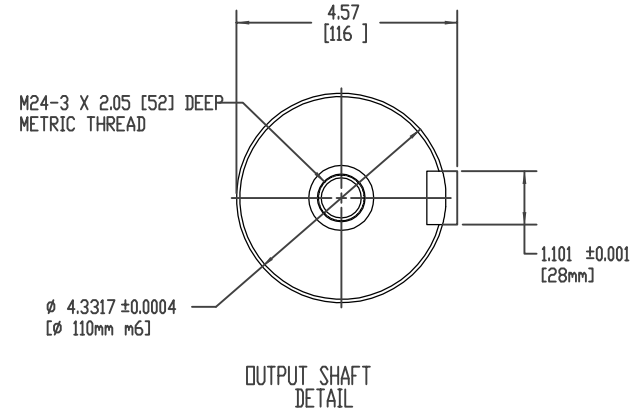
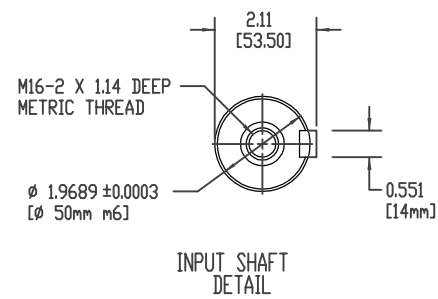
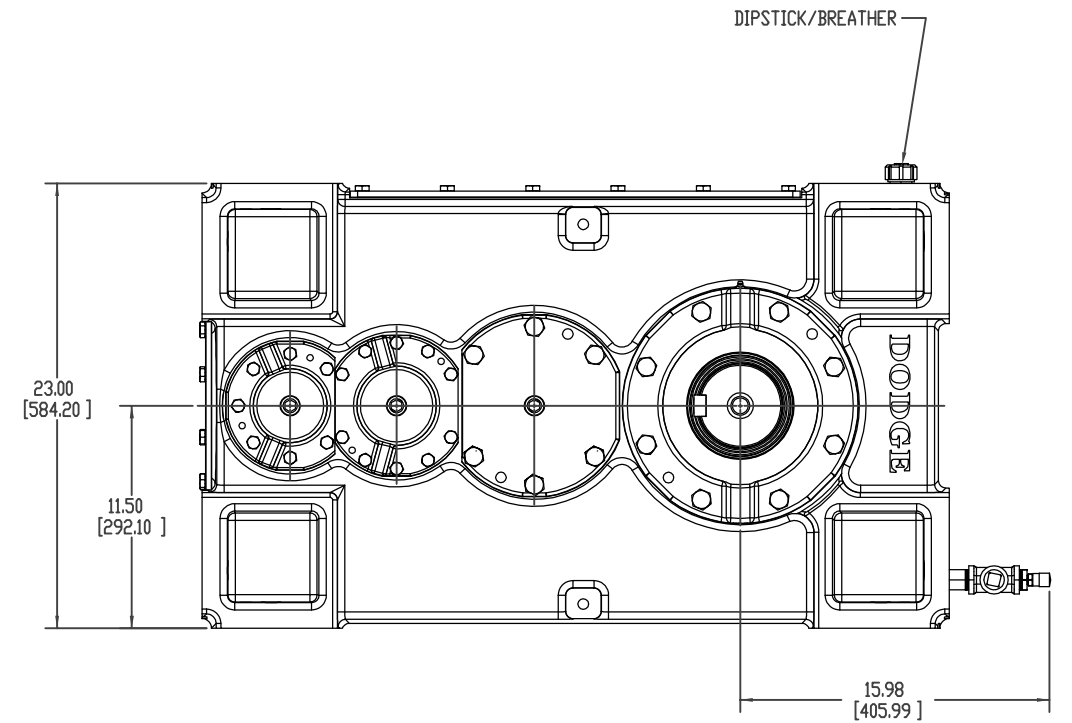
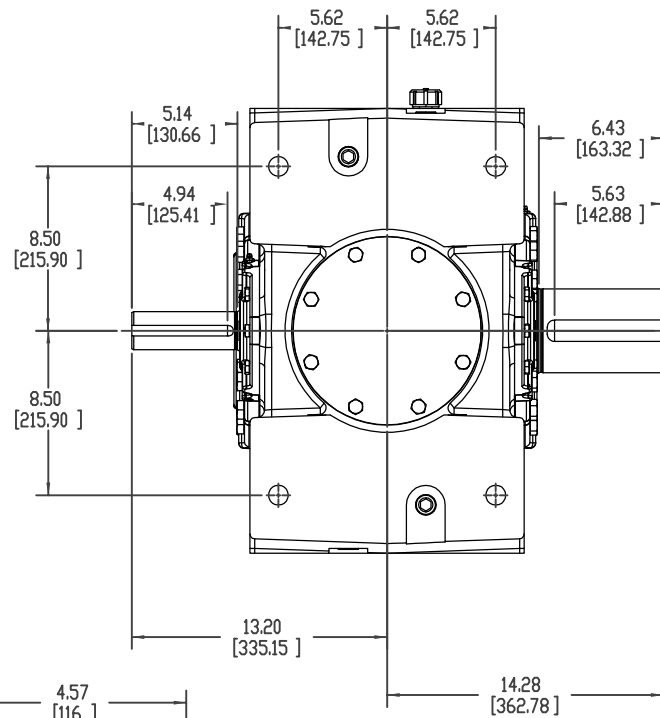
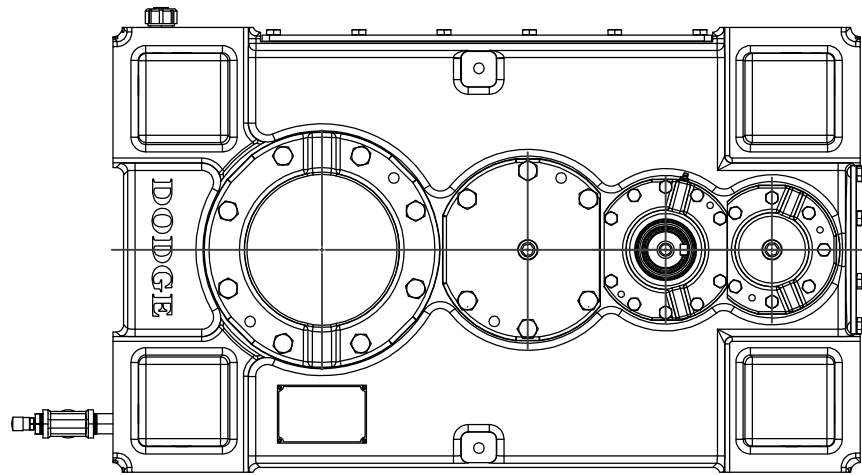
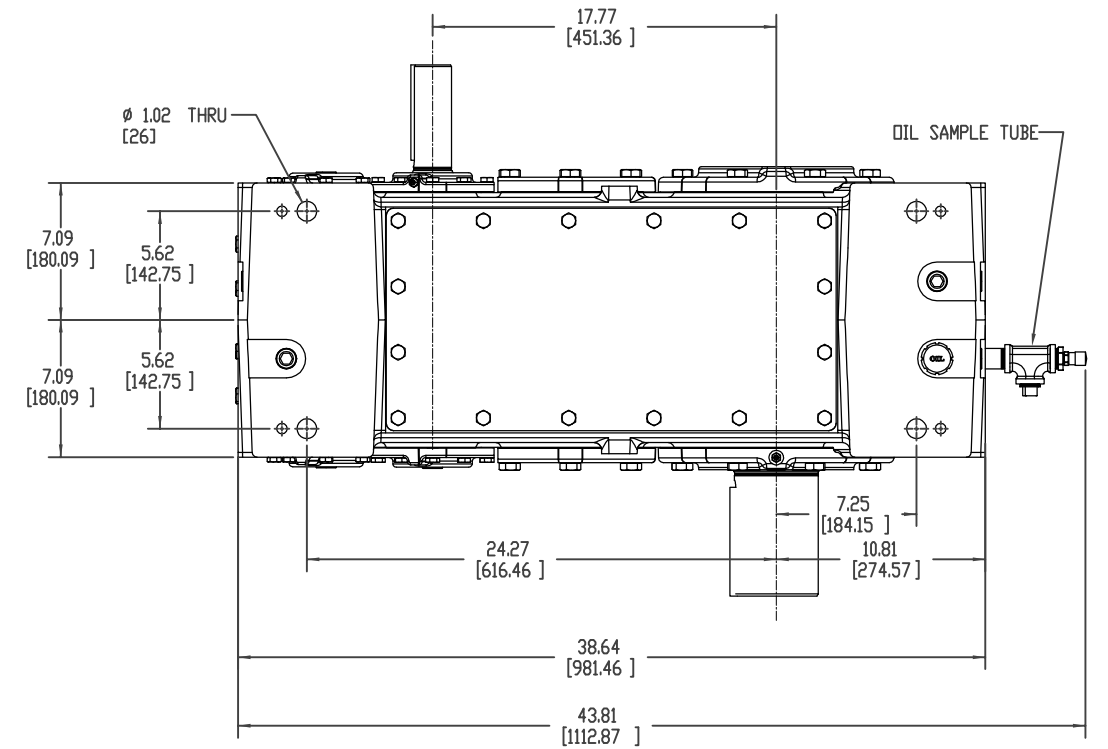
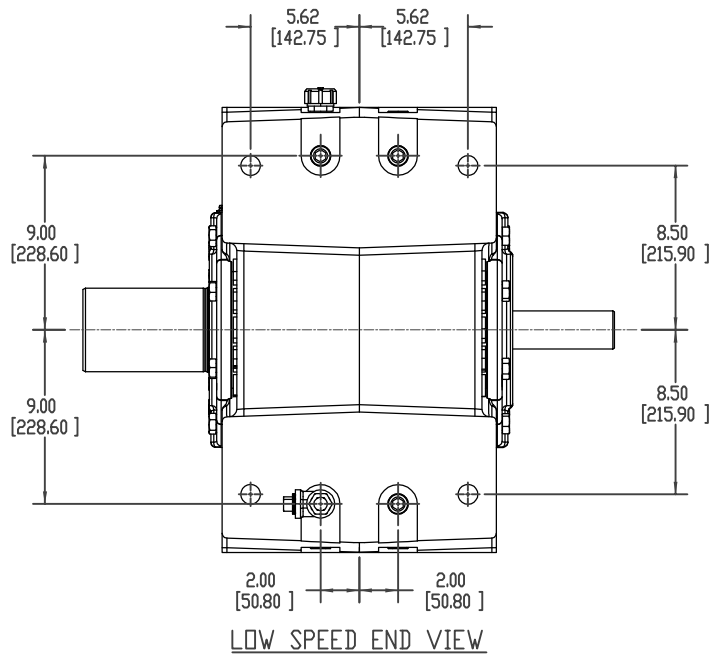
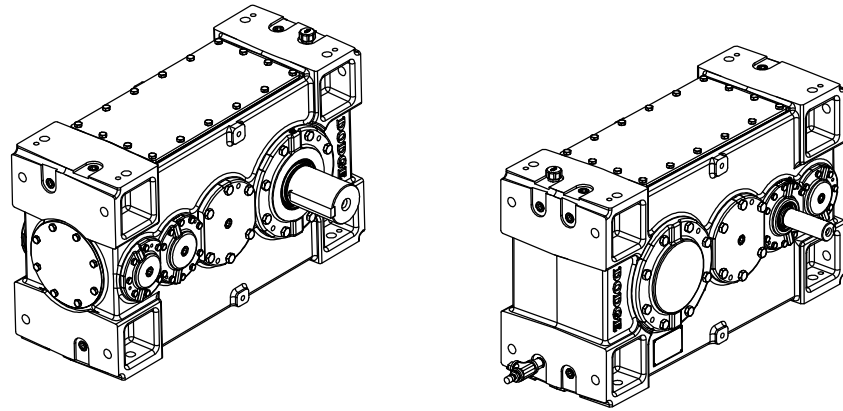
MODEL NUMBER: 150K

OVERALL RATIO: -----:1

AGMA CLASS 1 RATING: ----- HP @ ----- RPM

SERVICE FACTOR: -----

1619 Lbs.



BALDOR-DODGE-RELIANCE PROPRIETARY & CONFIDENTIAL THIS DRAWING IS THE PROPERTY OF BALDOR-DODGE-RELIANCE AND/OR ITS SUBSIDIARIES AND IS NOT TO BE USED, DUPLICATED OR DISCLOSED WITHOUT THE EXPRESS WRITTEN PERMISSION OF THE COMPANY.									
MATERIAL		DIMENSION TOLERANCE UNLESS OTHERWISE SPECIFIED			PRODUCT			REVISION DESCRIPTION	
CASTING OR FORGING NO.		MACHINE TOL PER S022 FABRICATION TOL PER S356 CASTING TOL PER S249 BRK ALL SHRP CORNERS 0.005-0.015			MAGNAGEAR 150K			REV	
TREATMENT		SHARP BY ESTERLE DATE 03/13/2008			DESIGNED BY ESTERLE DATE 03/13/2008			APPROVED BY KONRUFF DATE 03/13/2008	
PART		PARALLEL INPUT - SOLID OUTPUT DOUBLE REDUCTION ASSEMBLY LAYOUT			ORDER NUMBER			SHEET NUMBER	
DRAWING NUMBER		453339-SLD			15			4 OF 4	
REV		-			-			REV	



453339-SLD