

CUSTOMER ORDER NO: -----

3 STAGE REDUCER

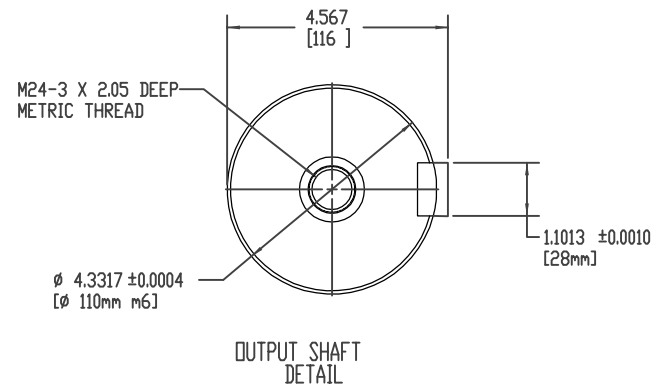
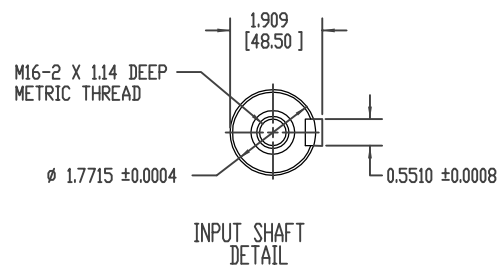
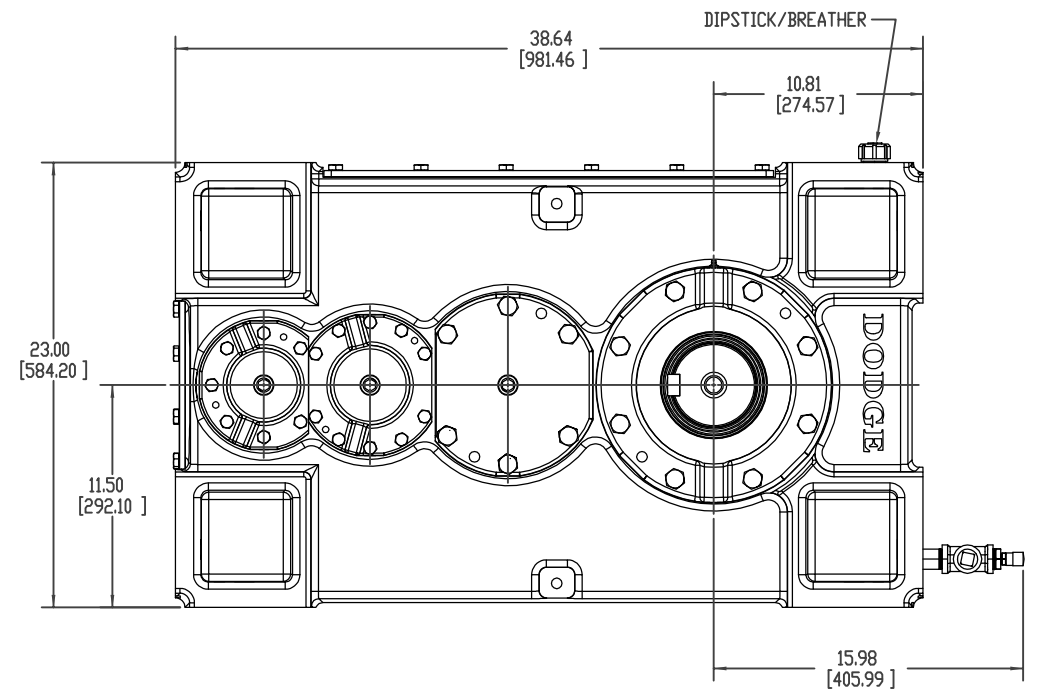
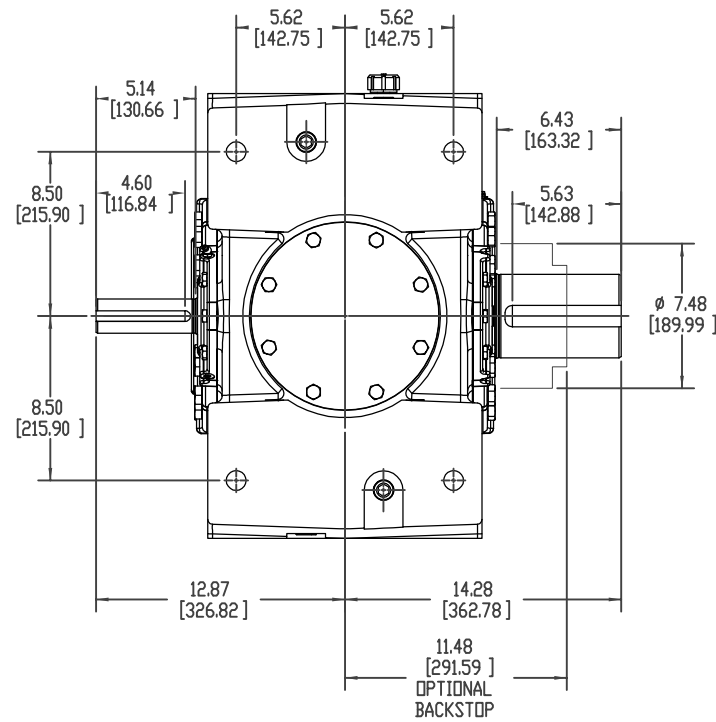
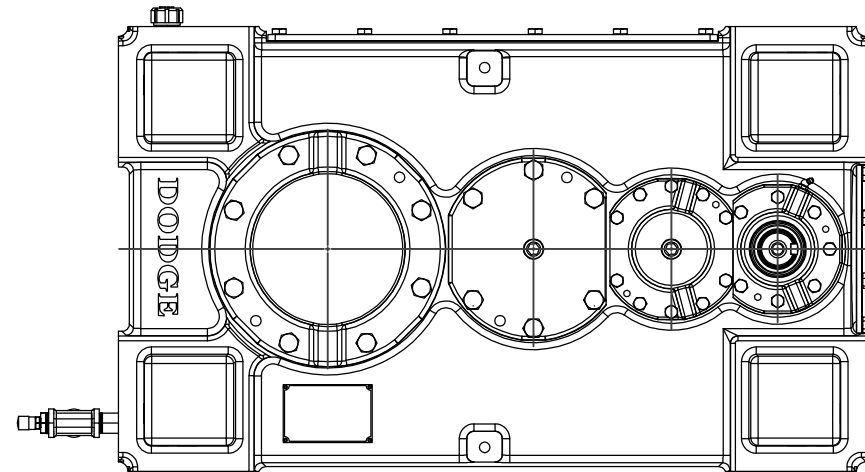
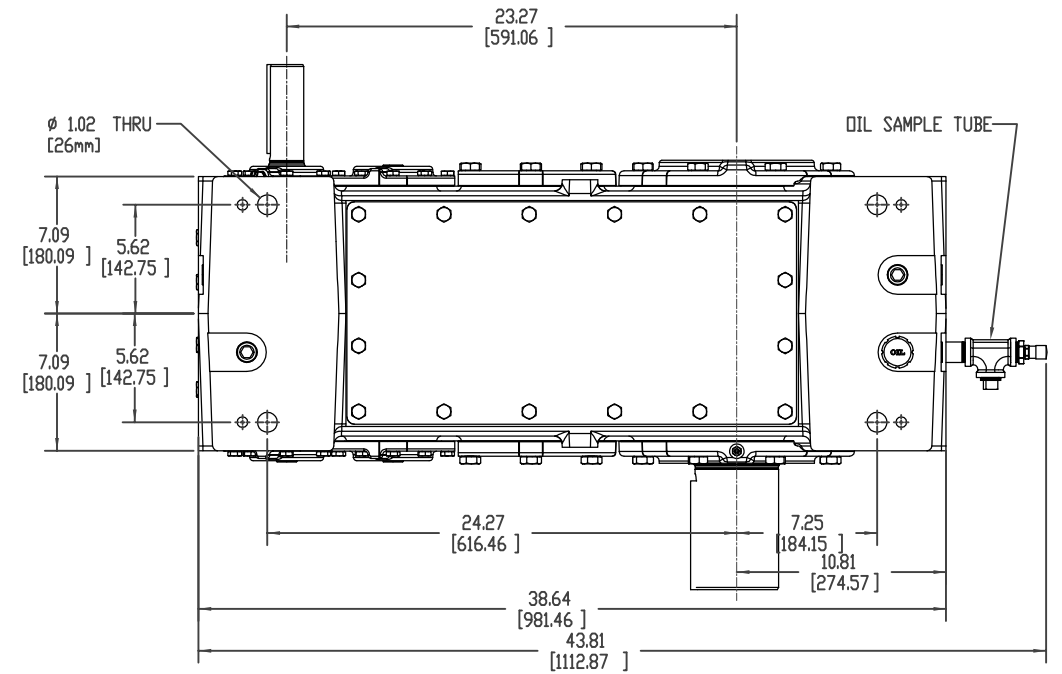
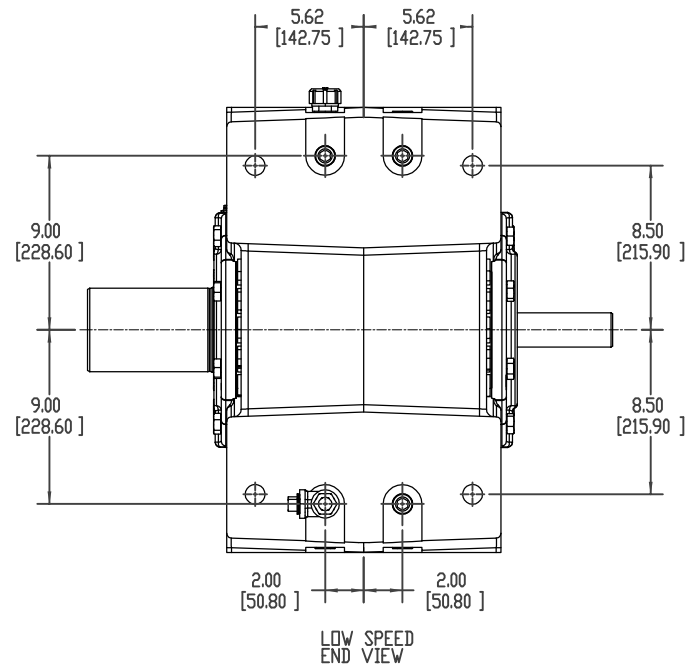
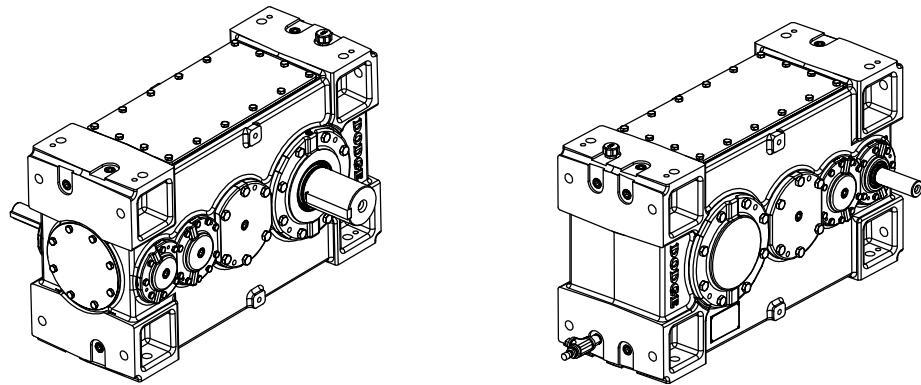
MODEL NUMBER: 150K

OVERALL RATIO: -----:1

AGMA CLASS 1 RATING: ----- HP @ ----- RPM

SERVICE FACTOR: -----

1655 Lbs.



BALDOR-DODGE-RELIANCE PROPRIETARY & CONFIDENTIAL THIS DRAWING IS THE PROPERTY OF BALDOR-DODGE-RELIANCE AND/OR ITS SUBSIDIARIES AND IS NOT TO BE USED, DUPLICATED OR DISCLOSED WITHOUT THE EXPRESS WRITTEN PERMISSION OF THE COMPANY.									
EGR. NO.		REV		REV DATE		BY		APP'D	
A		06/11/09		FJK/DBM		CHG'D 452895 QTY.2 FROM QTY.1; REMOVED 452894		REVISION DESCRIPTION	
MATERIAL				DIMENSION TOLERANCE UNLESS OTHERWISE SPECIFIED				PRODUCT	
MACHINE TOL PER S022				FABRICATION TOL PER S356				MAGNAGEAR 150K	
CASTING OR FORGING NO.				CASTING TOL PER S249				PART	
BRK ALL SHRP CORNERS 0.005-0.015				DRAWN BY				PART	
ESTERLE				KONRUFF				PARALLEL INPUT - SOLID OUTPUT TRIPLE REDUCTION ASSEMBLY LAYOUT	
DATE		DATE		DATE		DATE		DATE	
03/13/2008		03/13/2008		03/13/2008		03/13/2008		03/13/2008	
DRAWING NUMBER				DIPSTICK/BREATHER				DIPSTICK/BREATHER	
452840-SLD				15.98 [405.99]				15.98 [405.99]	