

CUSTOMER ORDER NO: -----

3 STAGE REDUCER

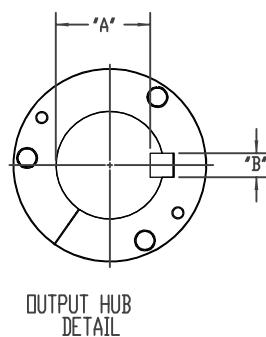
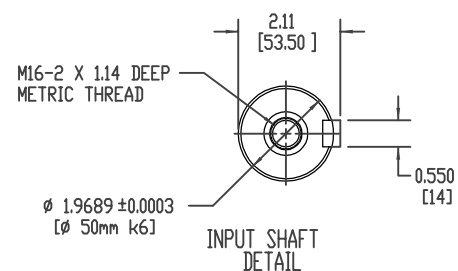
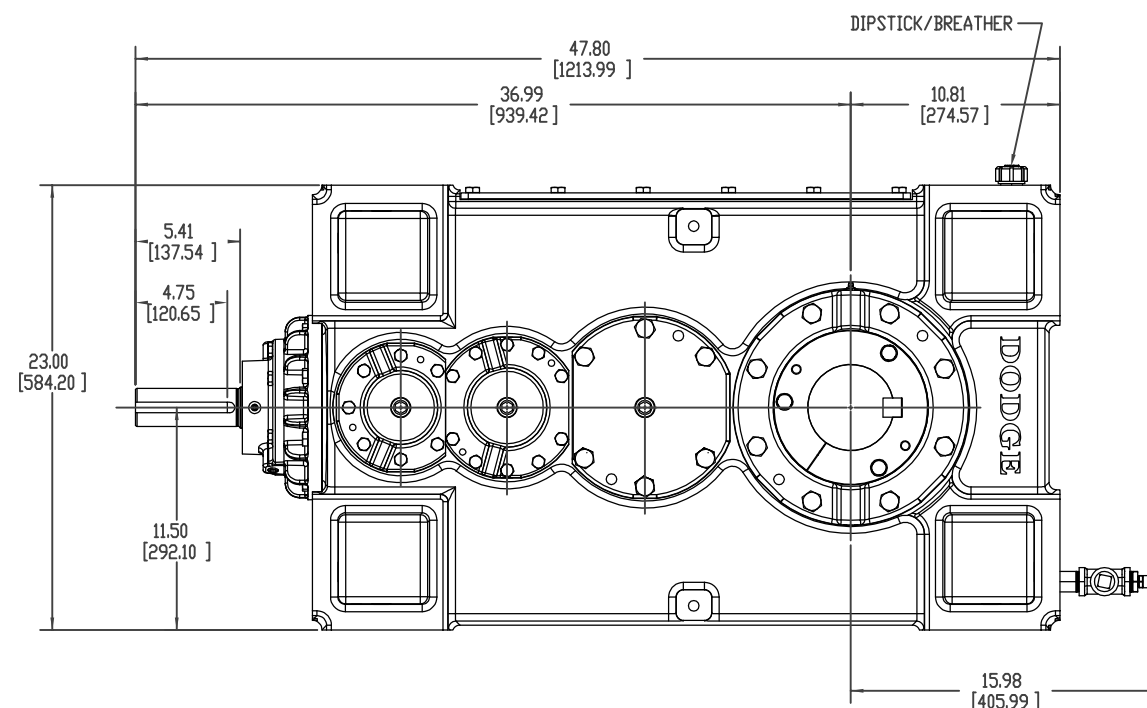
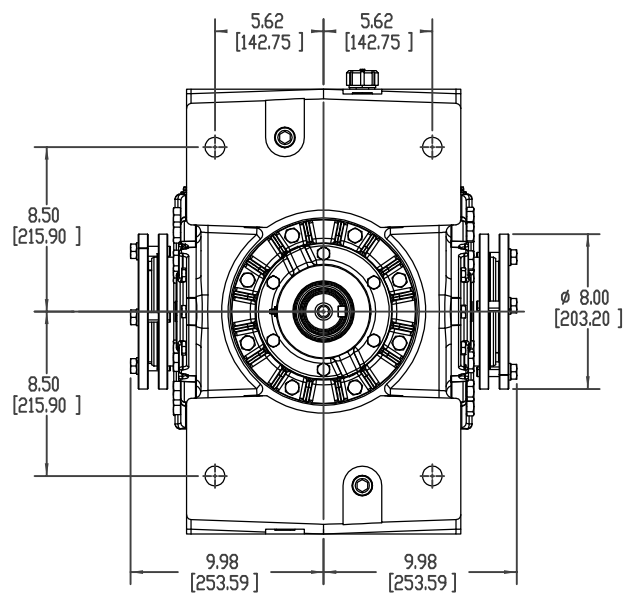
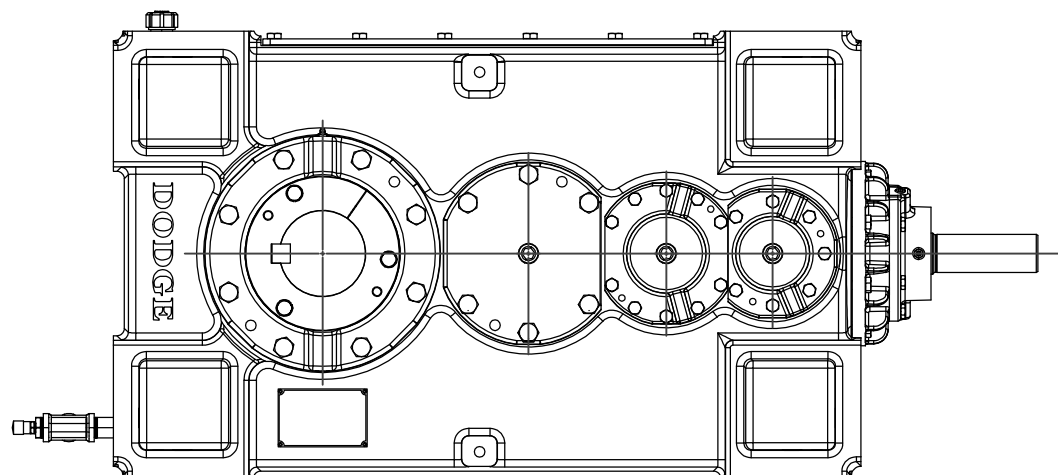
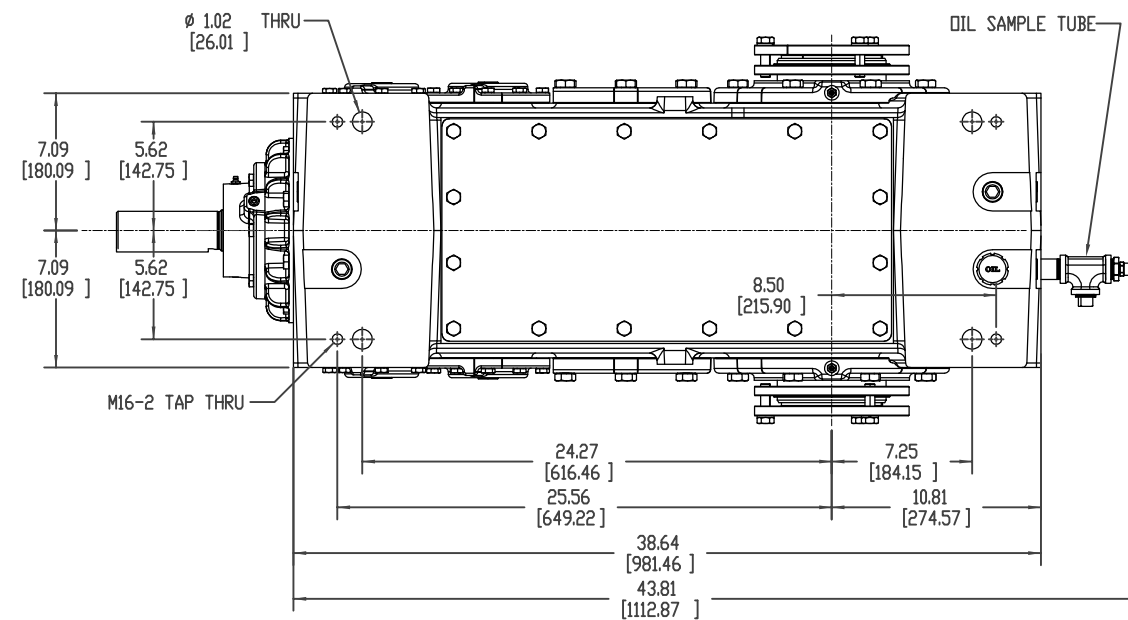
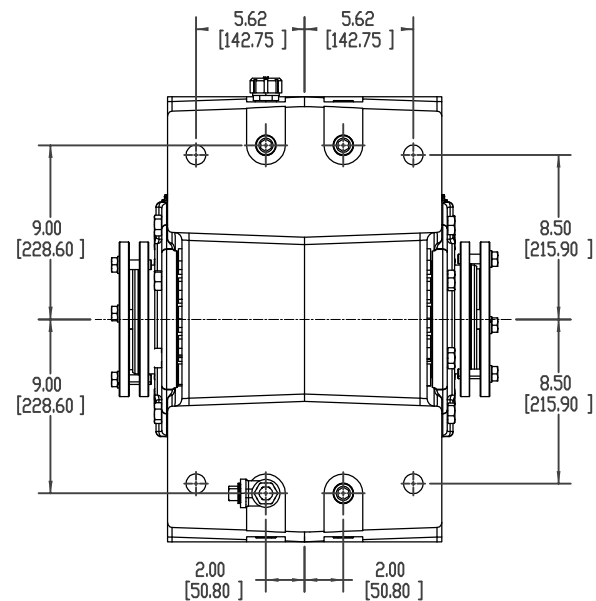
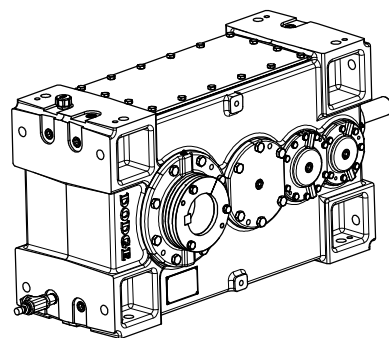
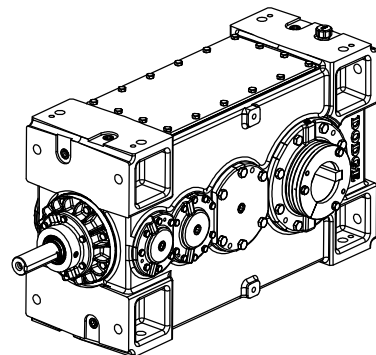
MODEL NUMBER: 150K

OVERALL RATIO: --- : 1

AGMA CLASS 1 RATING: --- HP @ --- RPM

SERVICE FACTOR: ---

1651 Lbs.



BORE DIA.	'A'	'B'
4-7/16"	3.880"	1"
4-3/16"	3.627"	1"
3-15/16"	3.373"	1"
3-7/16"	2.943"	7/8"
3-3/16"	2.768"	3/4"
3"	2.577"	3/4"
2-15/16"	2.514"	3/4"
110mm	100mm	28mm
100mm	90mm	28mm
95mm	86mm	25mm
90mm	81mm	25mm
85mm	76mm	22mm
80mm	71mm	22mm
75mm	67.5mm	20mm

BALDOR-DODGE-RELIANCE PROPRIETARY & CONFIDENTIAL
 THIS DRAWING IS THE PROPERTY OF BALDOR-DODGE-RELIANCE
 AND/OR ITS SUBSIDIARIES AND IS NOT TO BE USED, DUPLICATED
 OR DISCLOSED WITHOUT THE EXPRESS WRITTEN PERMISSION
 OF THE COMPANY.

DATE	REV	BY	APP'D	REVISION DESCRIPTION
05/30/08	A	TFE		REVISED HOLLOW HUB KEY P/N'S

MATERIAL: DIMENSION TOLERANCE UNLESS OTHERWISE SPECIFIED
 MACHINE TOL PER S022
 FABRICATION TOL PER S356
 CASTING TOL PER S249
 BRK ALL SHRP CORNERS 0.005-0.015

PRODUCT: MAGNAGEAR 150K
 PART: RIGHT ANGLE HOLLOW OUTPUT ASSEMBLY LAYOUT

TREATMENT: DRAWN BY: ESTERLE, DESIGNED BY: ESTERLE, APPROVED BY: KONRUFF, DATE: 03/13/2008, SHEET: 15, OVERSIGHT NUMBER: 2 OF 4, SHEET NUMBER: 2 OF 4, REV: 1

BALDOR • DODGE DRAWING NUMBER: 452700-HLW