

CUSTOMER ORDER NO: \_\_\_\_\_

3 STAGE REDUCER

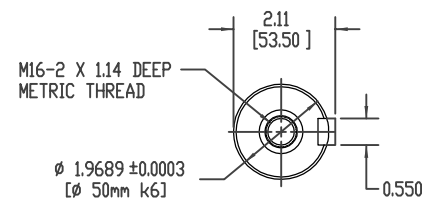
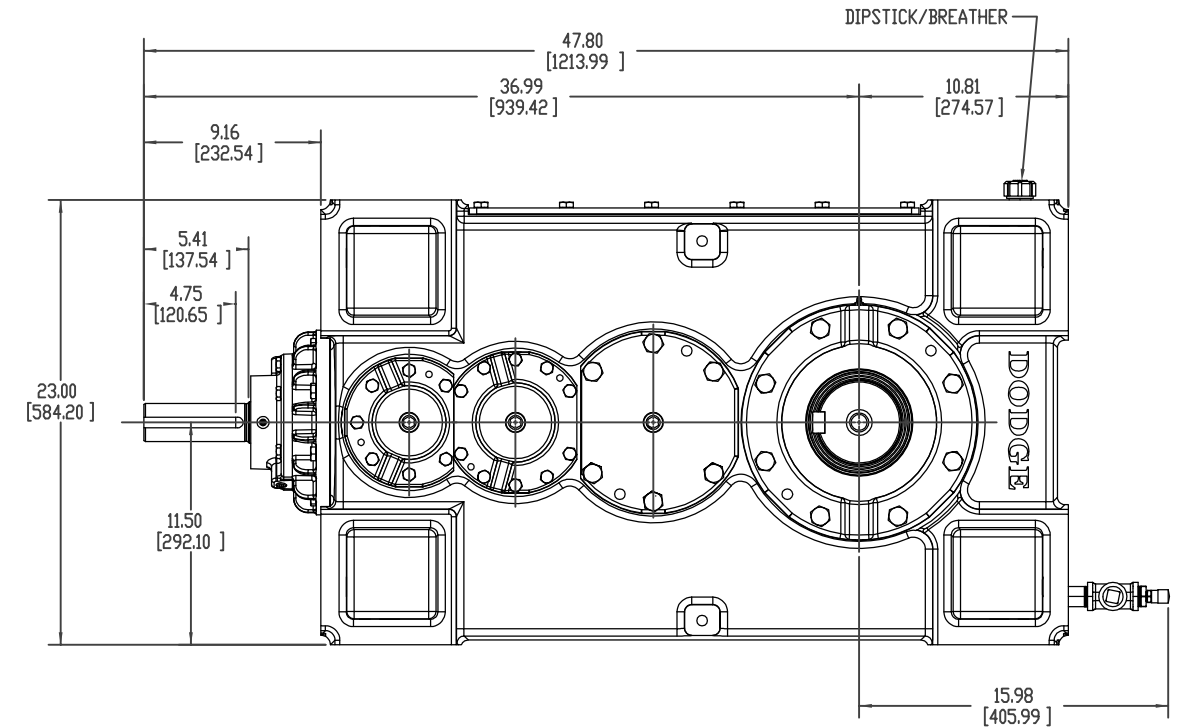
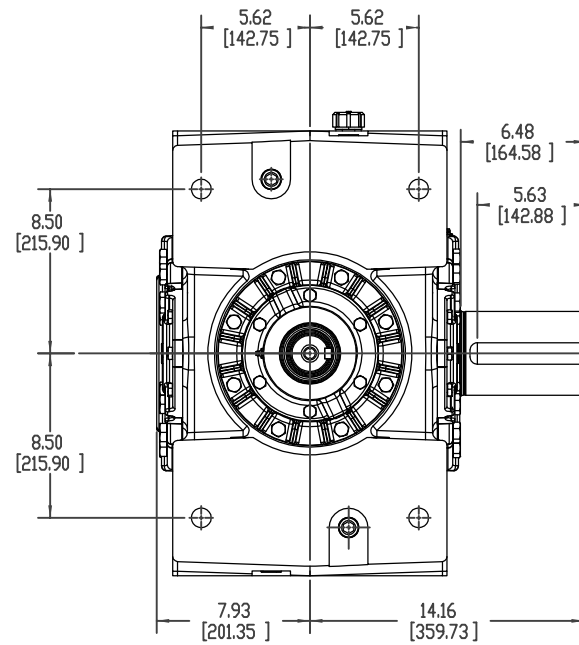
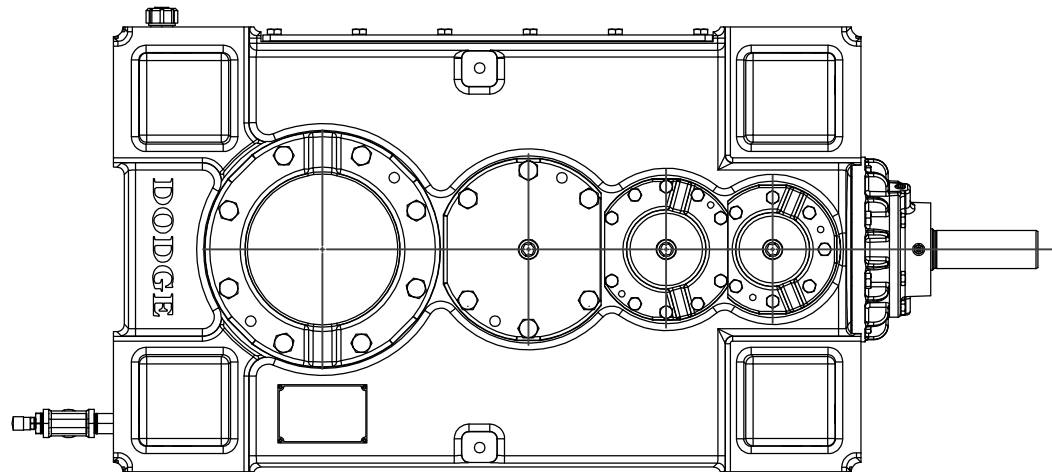
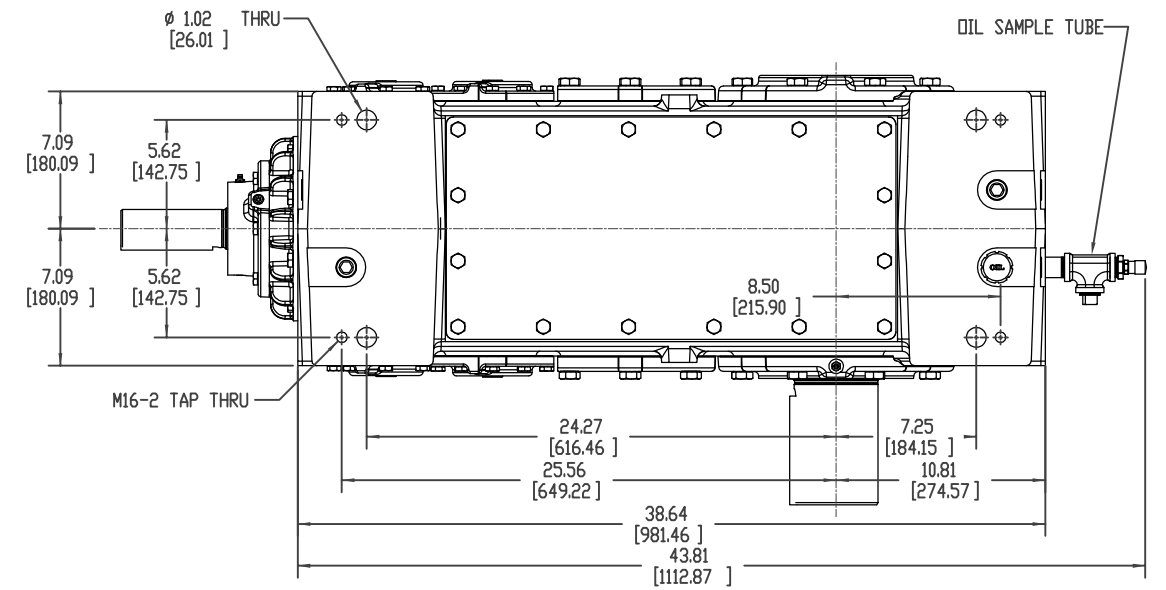
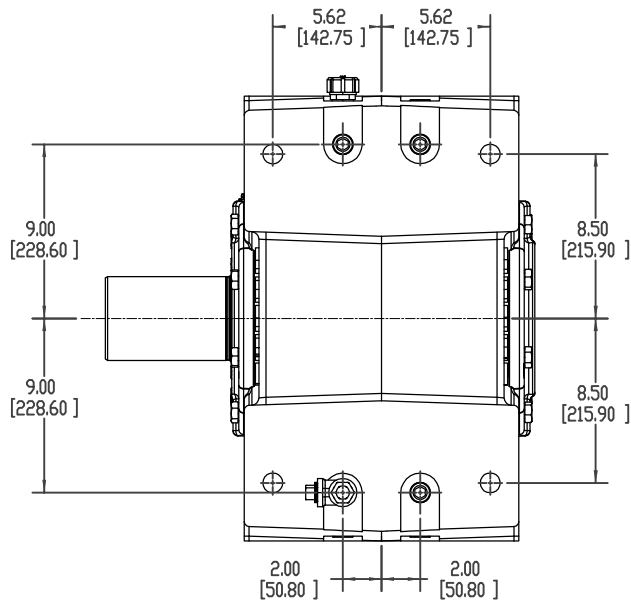
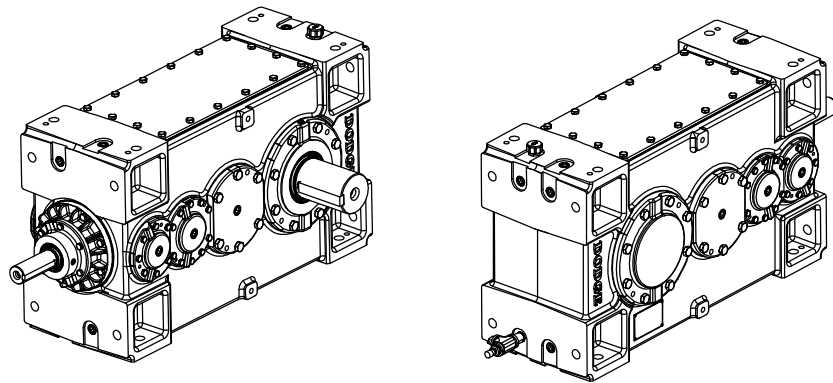
MODEL NUMBER: 150K

OVERALL RATIO: \_\_\_\_\_:1

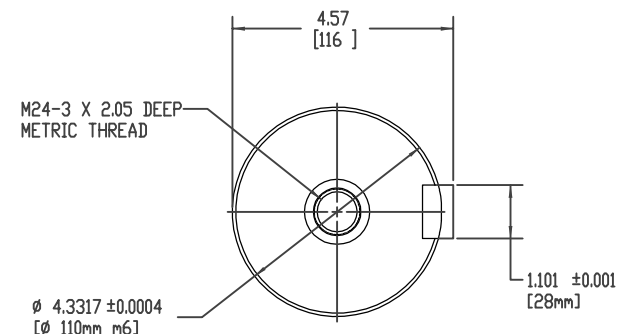
AGMA CLASS 1 RATING: \_\_\_\_\_ HP @ \_\_\_\_\_ RPM

SERVICE FACTOR: \_\_\_\_\_

1714 Lbs.



INPUT SHAFT  
DETAIL



OUTPUT SHAFT  
DETAIL

BALDOR-DODGE-RELIANCE PROPRIETARY & CONFIDENTIAL THIS DRAWING IS THE PROPERTY OF BALDOR-DODGE-RELIANCE AND/OR ITS SUBSIDIARIES AND IS NOT TO BE USED, DUPLICATED OR DISCLOSED WITHOUT THE EXPRESS WRITTEN PERMISSION OF THE COMPANY.									
MATERIAL		DIMENSION TOLERANCE UNLESS OTHERWISE SPECIFIED			PRODUCT		REVISION DESCRIPTION		
CASTING OR FORGING NO.		MACHINE TOL PER S022 FABRICATION TOL PER S356 CASTING TOL PER S249 BRK ALL SHRP CORNERS 0.005-0.015			MAGNAGEAR 150K				
TREATMENT		DRAWN BY: ESTERLE DATE: 03/13/2008			PART		SHEET		
		CHECKED BY: ESTERLE DATE: 03/13/2008			RIGHT ANGLE SOLID OUTPUT ASSEMBLY LAYOUT		DRAW NUMBER		
		APPROVED BY: KONRUFF DATE: 03/13/2008			15		SHEET NUMBER		
					4 OF 4		REV		
					DRAWING NUMBER		452700-SLD		



452700-SLD