

CUSTOMER ORDER NO: -----

3 STAGE REDUCER

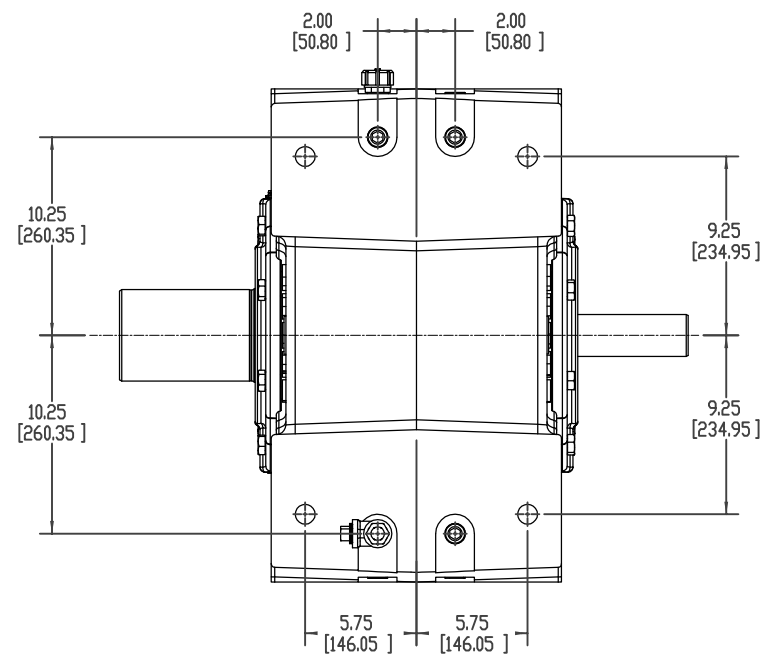
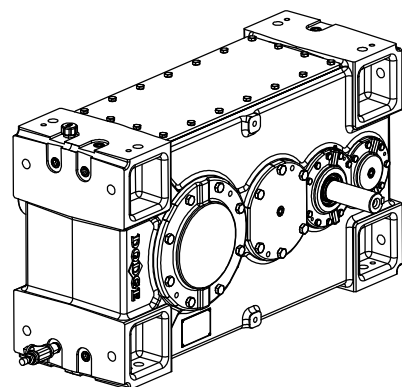
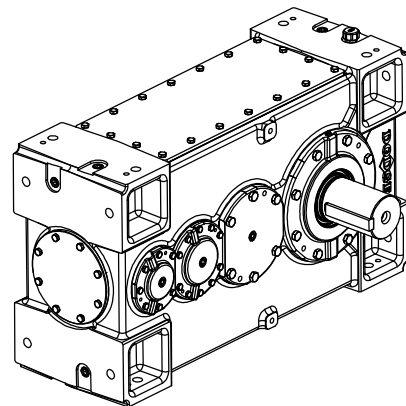
MODEL NUMBER: 210K

OVERALL RATIO: -----:1

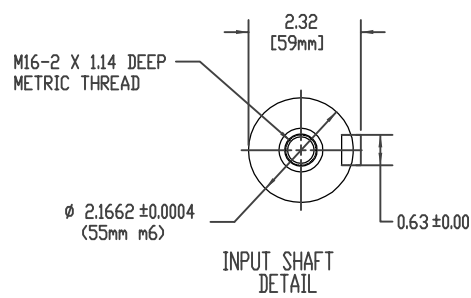
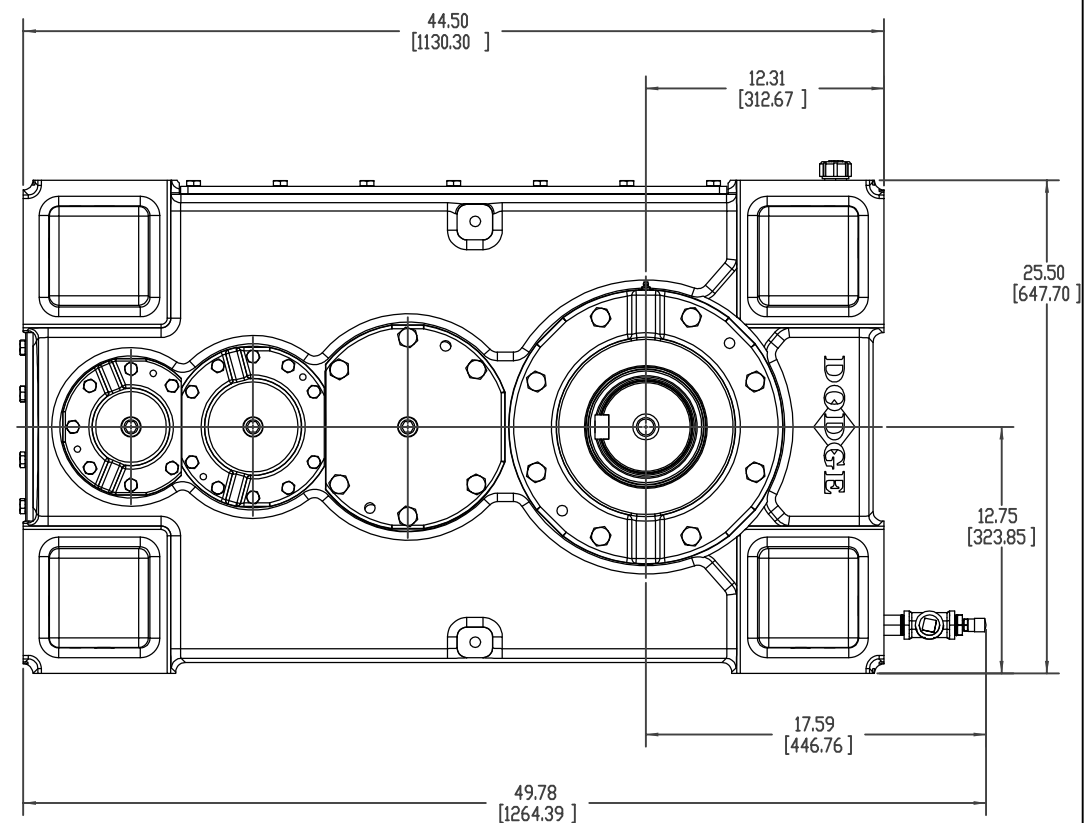
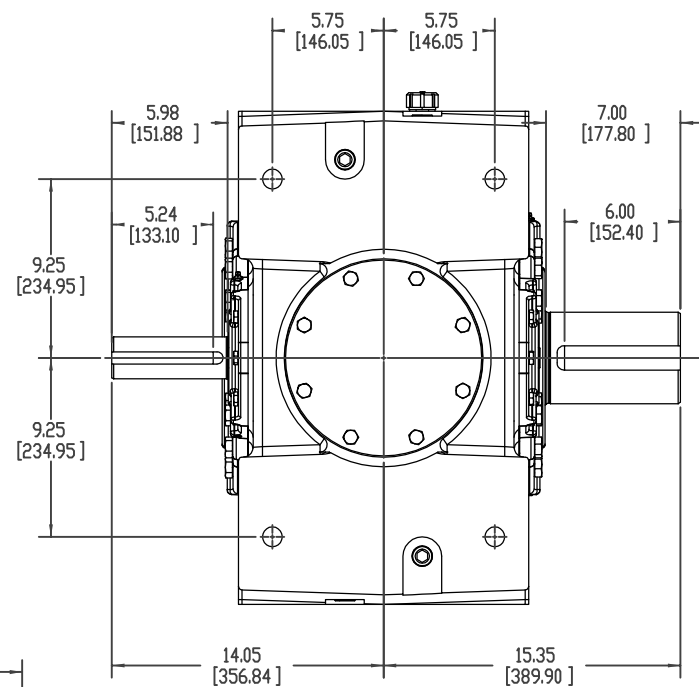
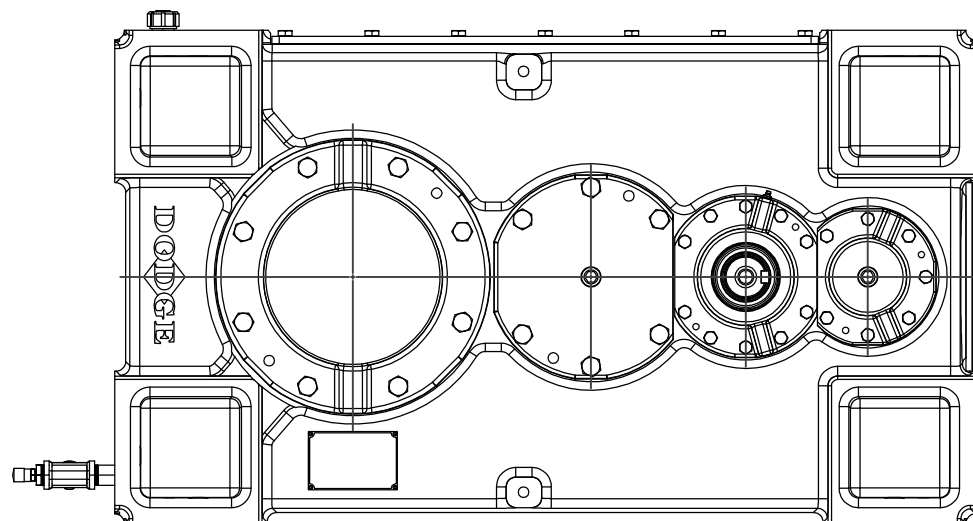
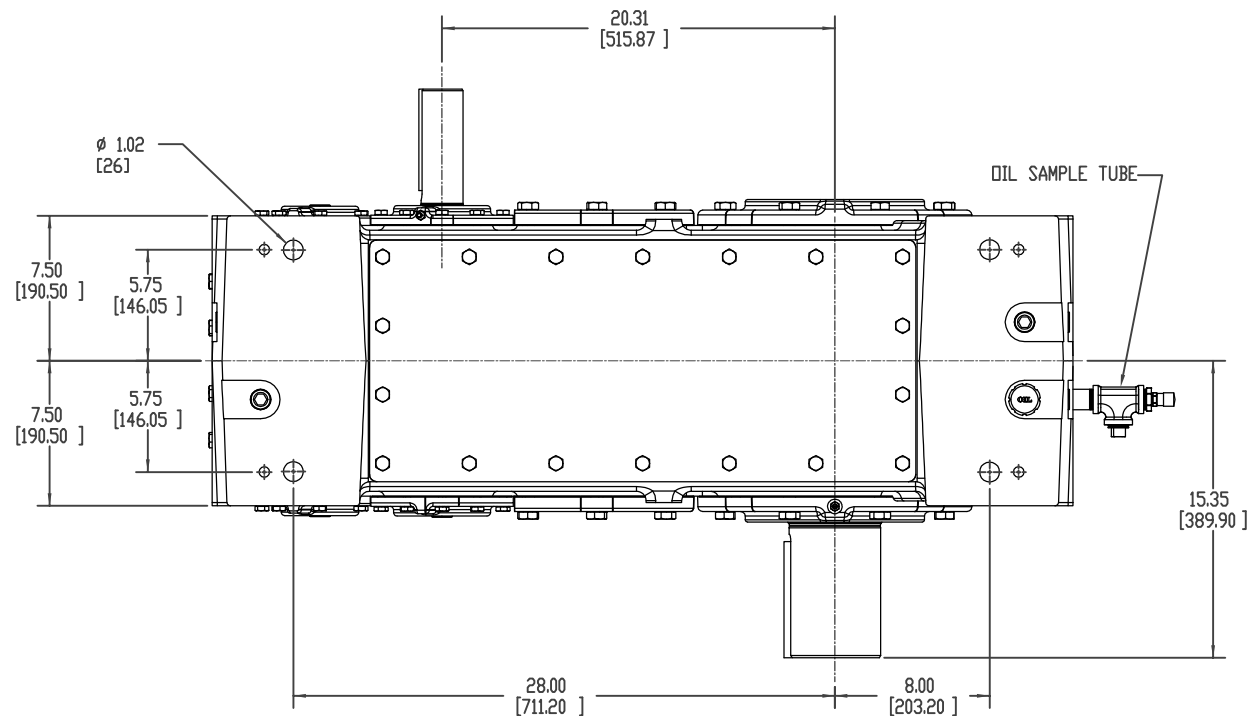
AGMA CLASS 1 RATING: ----- HP @ ----- RPM

SERVICE FACTOR: -----

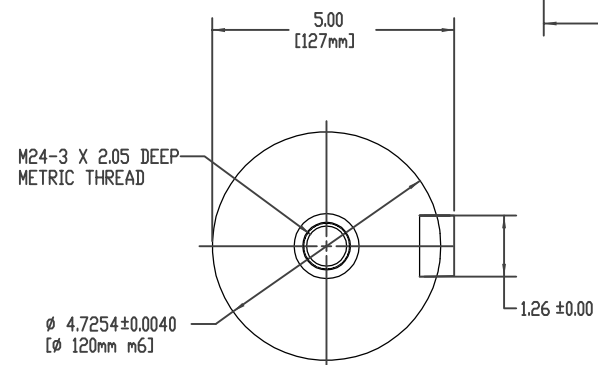
2134 Lbs.



LOW SPEED END VIEW



INPUT SHAFT
DETAIL



OUTPUT SHAFT
DETAIL

BALDOR-DODGE-RELIANCE PROPRIETARY & CONFIDENTIAL THIS DRAWING IS THE PROPERTY OF BALDOR-DODGE-RELIANCE AND/OR ITS SUBSIDIARIES AND IS NOT TO BE USED, DUPLICATED OR DISCLOSED WITHOUT THE EXPRESS WRITTEN PERMISSION OF THE COMPANY.									
EGR. NO.		REV		REV DATE		F.X.		REVISED DWG	
A		02/27/2009		F.X.		DBM		REVISED DWG	
REVISION DESCRIPTION									
MATERIAL									
DIMENSION TOLERANCE UNLESS OTHERWISE SPECIFIED									
MACHINE TOL PER S022									
FABRICATION TOL PER S356									
CASTING TOL PER S249									
BRK ALL SHRP CORNERS 0.005-0.015									
PRODUCT									
MAGNAGEAR 210K									
PART									
PARALLEL INPUT - SOLID OUTPUT DOUBLE REDUCTION ASSEMBLY LAYOUT									
TREATMENT									
DRAWN BY		DESIGNED BY		APPROVED BY		DATE		SHEET NUMBER	
ESTERLE		ESTERLE		KONRUFF		15		3 OF 4	
DATE		DATE		DATE		SUPERSEDES		REV	
01/18/2008		01/18/2008		01/18/2008				REV 4	
DRAWING NUMBER									
BALDOR • DODGE 453340-SLD									