

CUSTOMER ORDER NO: _____

3 STAGE REDUCER

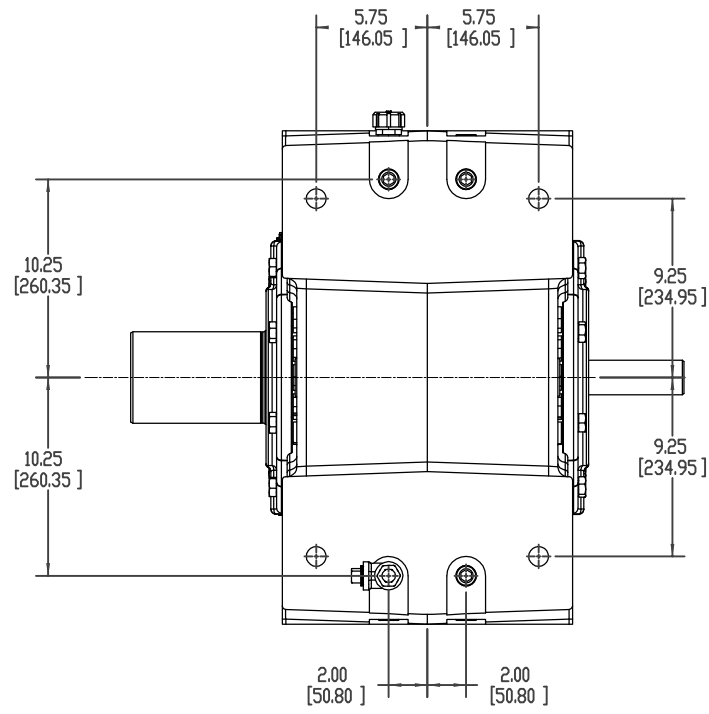
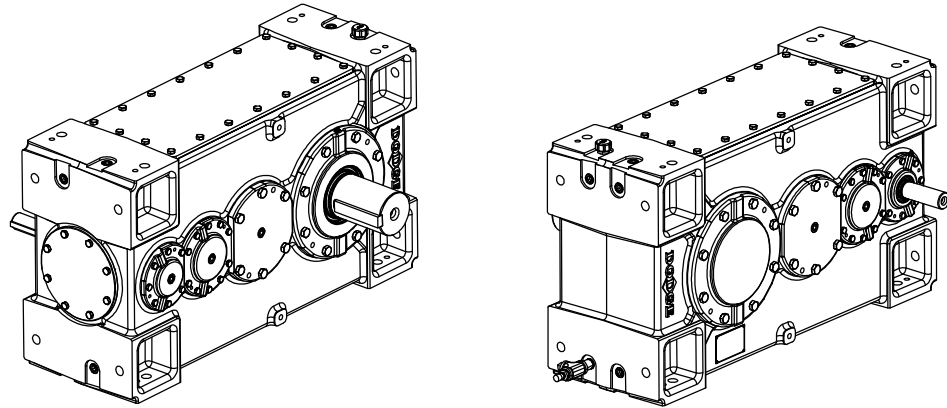
MODEL NUMBER: 210K

OVERALL RATIO: _____:1

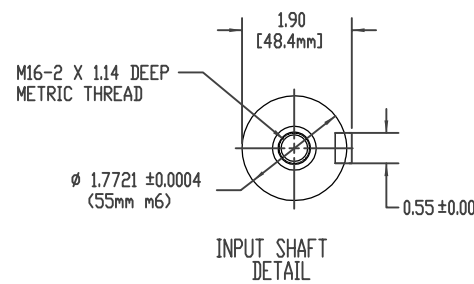
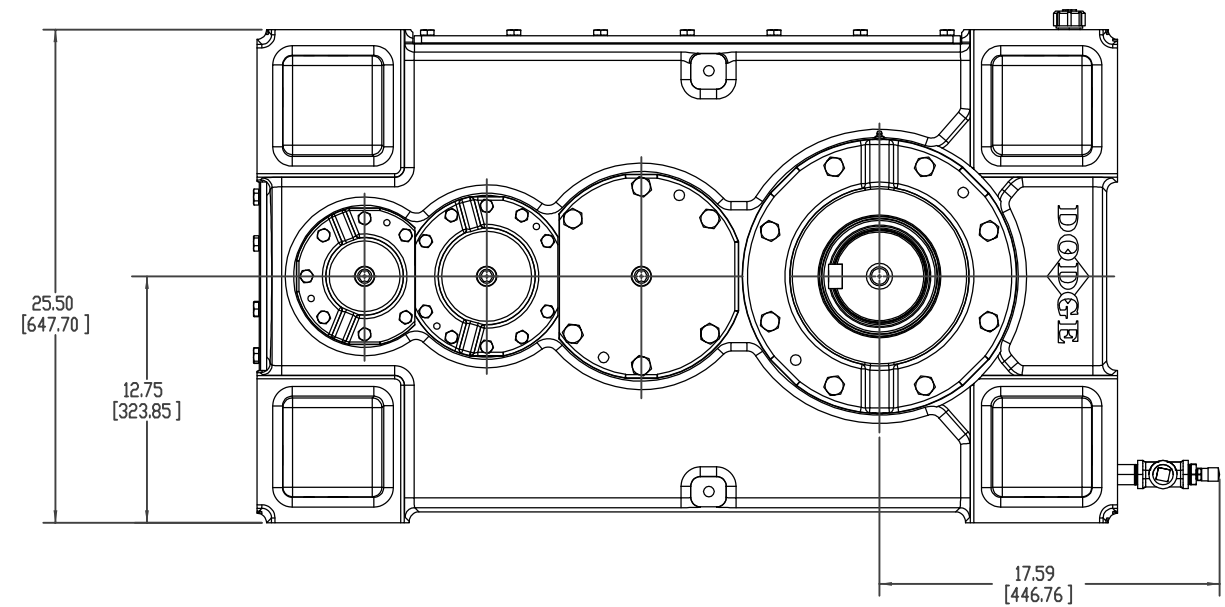
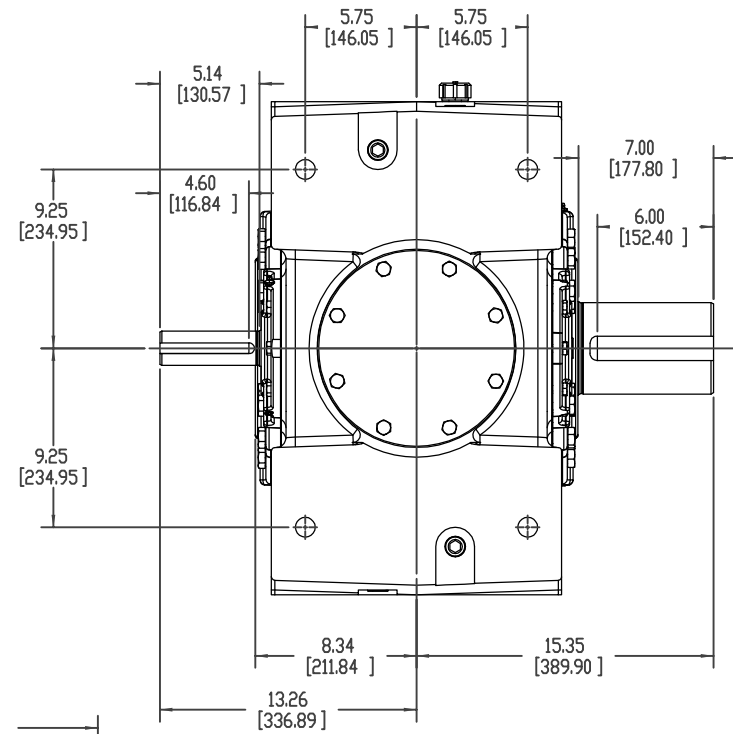
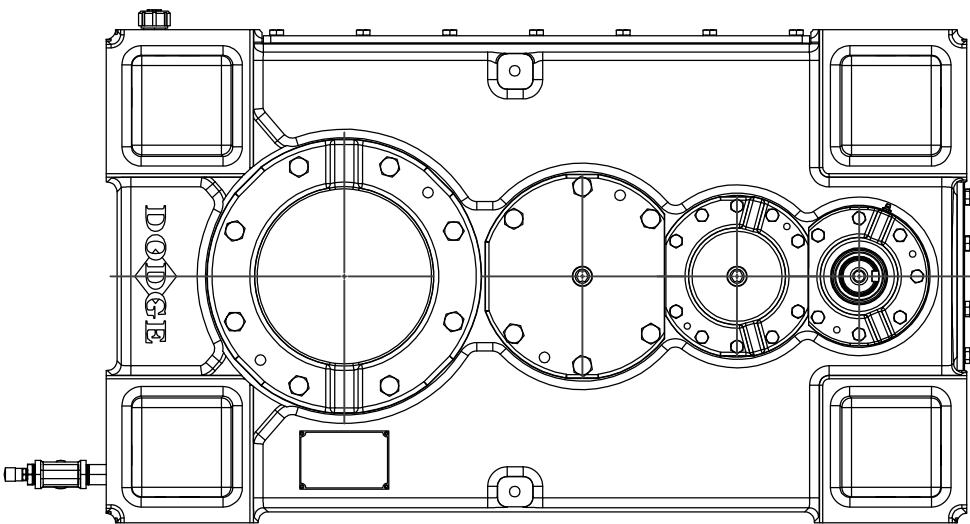
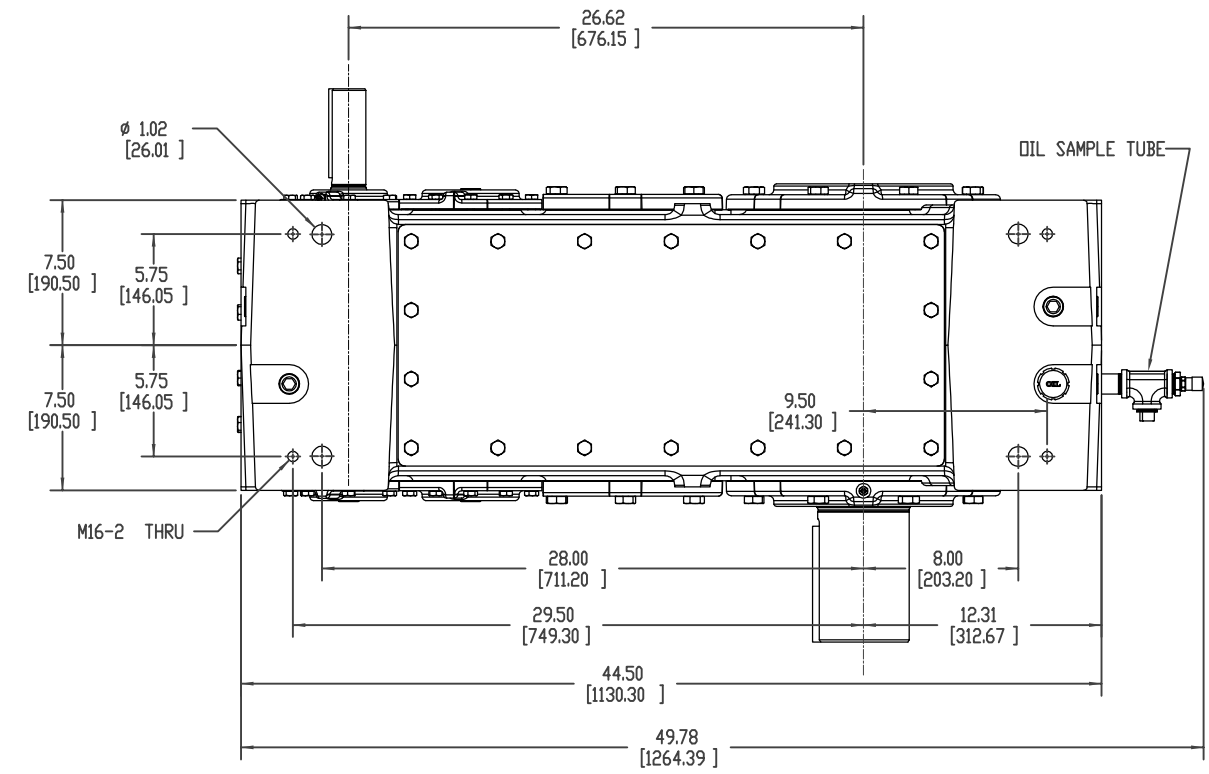
AGMA CLASS 1 RATING: _____ HP @ _____ RPM

SERVICE FACTOR: _____

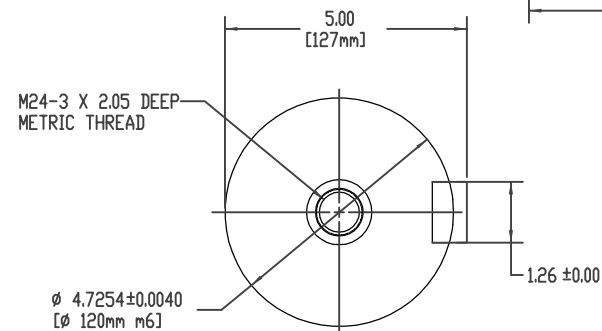
2187 Lbs.



LOW SPEED END VIEW



INPUT SHAFT
DETAIL



OUTPUT SHAFT
DETAIL

BALDOR-DODGE PROPRIETARY & CONFIDENTIAL THIS DRAWING IS THE PROPERTY OF BALDOR-DODGE-RELIANCE AND/OR ITS SUBSIDIARIES AND IS NOT TO BE USED, DUPLICATED OR DISCLOSED WITHOUT THE EXPRESS WRITTEN PERMISSION OF THE COMPANY.										
MATERIAL		DIMENSION TOLERANCE UNLESS OTHERWISE SPECIFIED			PRODUCT			REV		REVISION DESCRIPTION
CASTING OR FORGING NO.		MACHINE TOL PER S022 FABRICATION TOL PER S356 CASTING TOL PER S249 BRK ALL SHRP CORNERS 0.005-0.015			MAGNAGEAR 210K			EGR. NO.		
TREATMENT		DRAWN BY ESTERLE			PART			REV DATE		
		CHECKED BY ESTERLE			PARALLEL INPUT - SOLID OUTPUT TRIPLE REDUCTION ASSEMBLY LAYOUT			BY		
		DATE 01/08/2008			APPROVED BY KONRUFF			APP'D		
					SHEET			DATE		
					1-5			01/08/2008		
					SUPERSEDES			DYNAMIC NUMBER		
					DRAWING NUMBER			SHEET NUMBER		
					453040-SLD			4 OF 4		
								REV		



453040-SLD