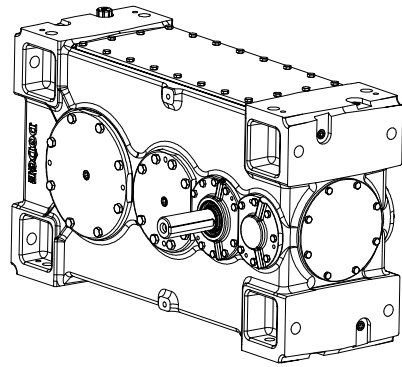
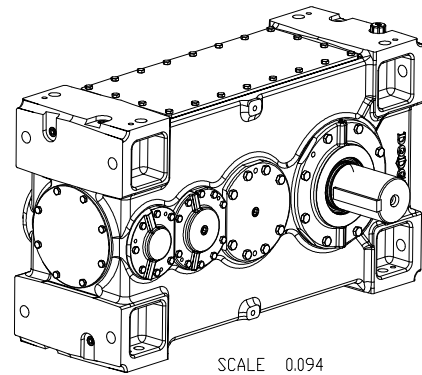


2 STAGE REDUCER
 MODEL NUMBER: 285K
 OVERALL RATIO: XX.XX:1
 AGMA CLASS 1 RATING: XXXX.XX HP @ XXXX RPM
 SERVICE FACTOR: XX.XX

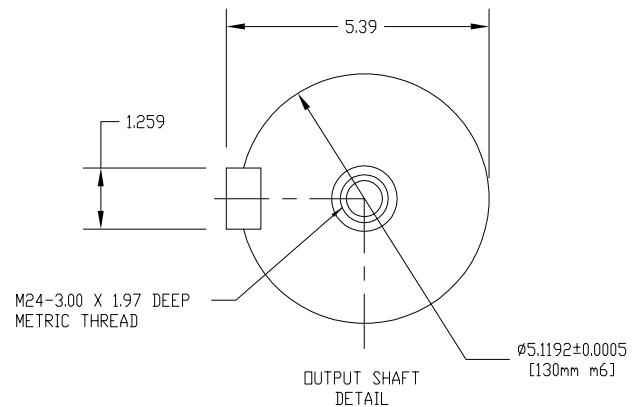
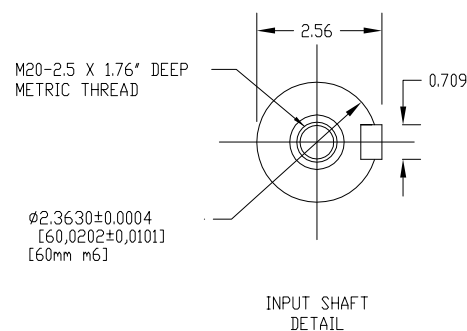
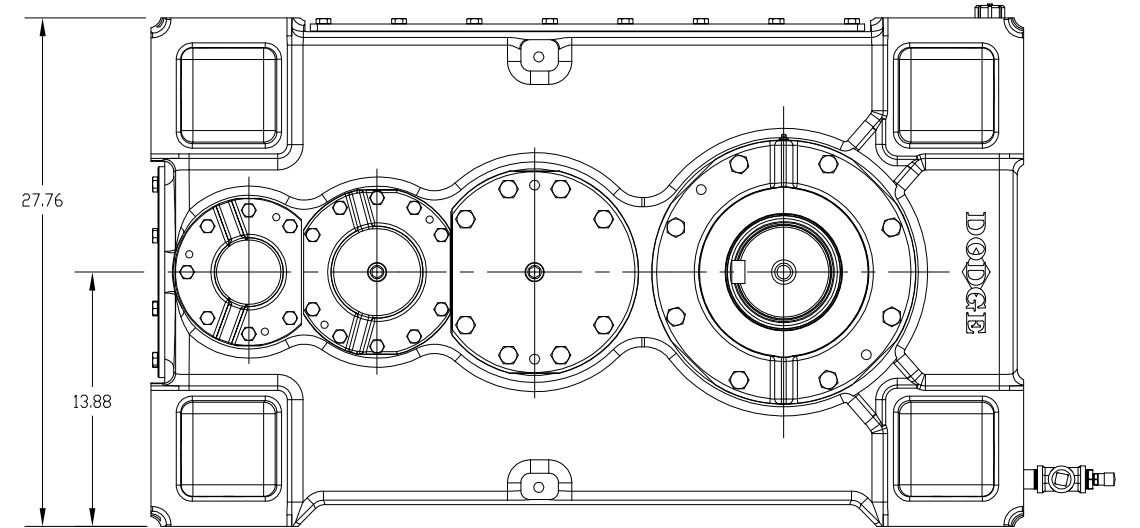
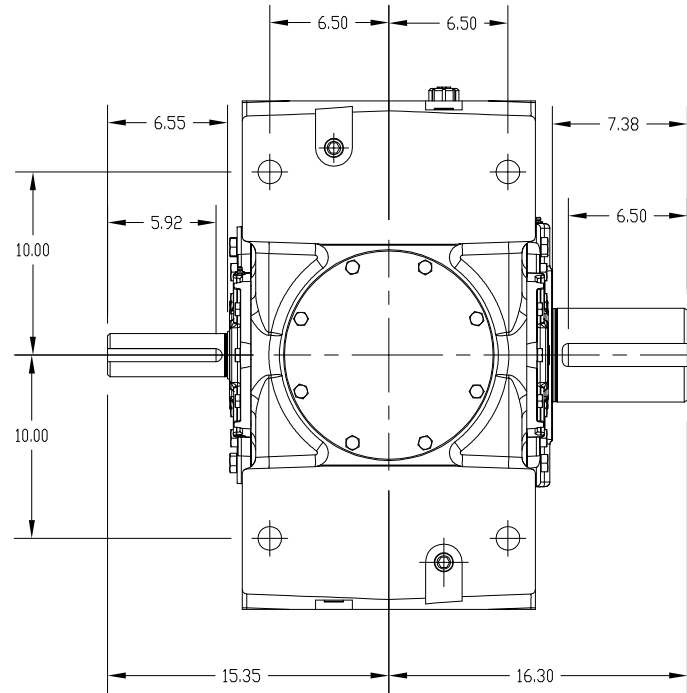
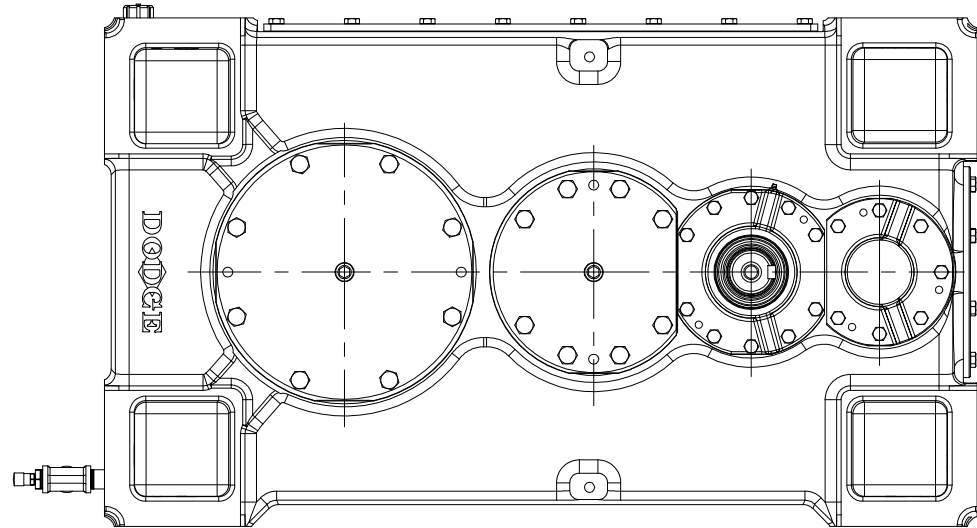
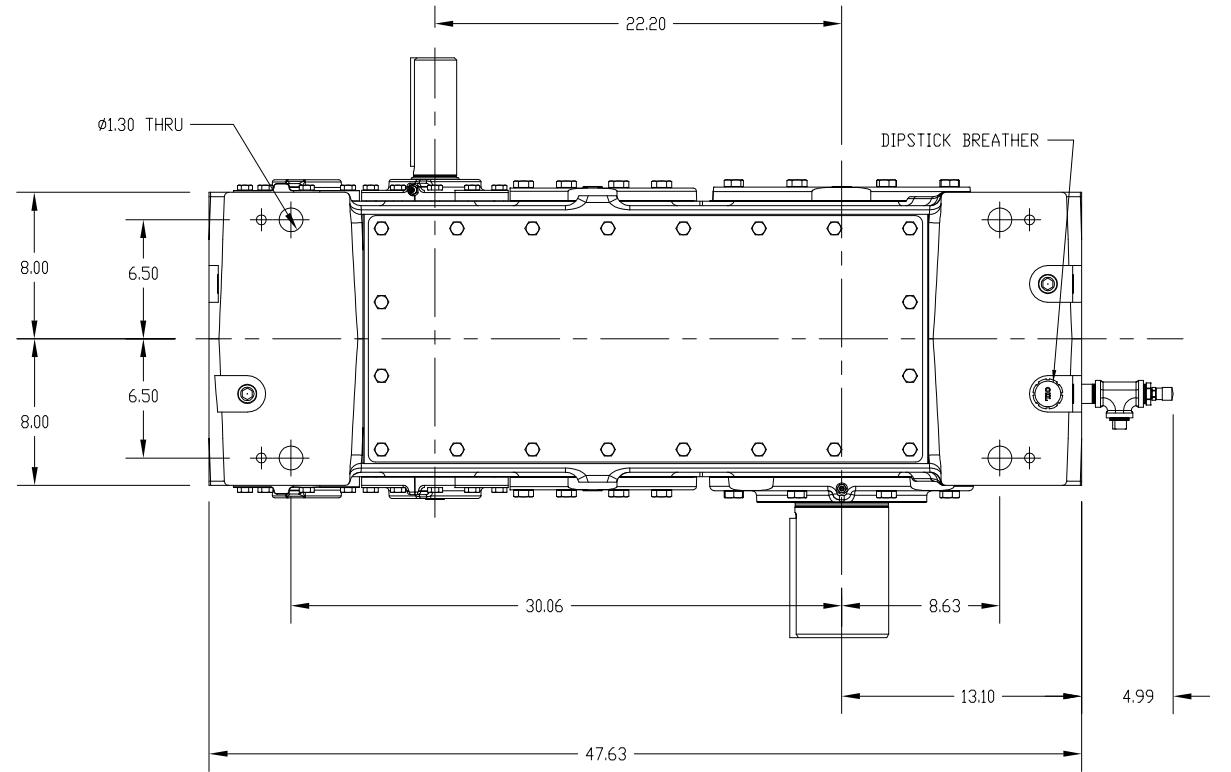
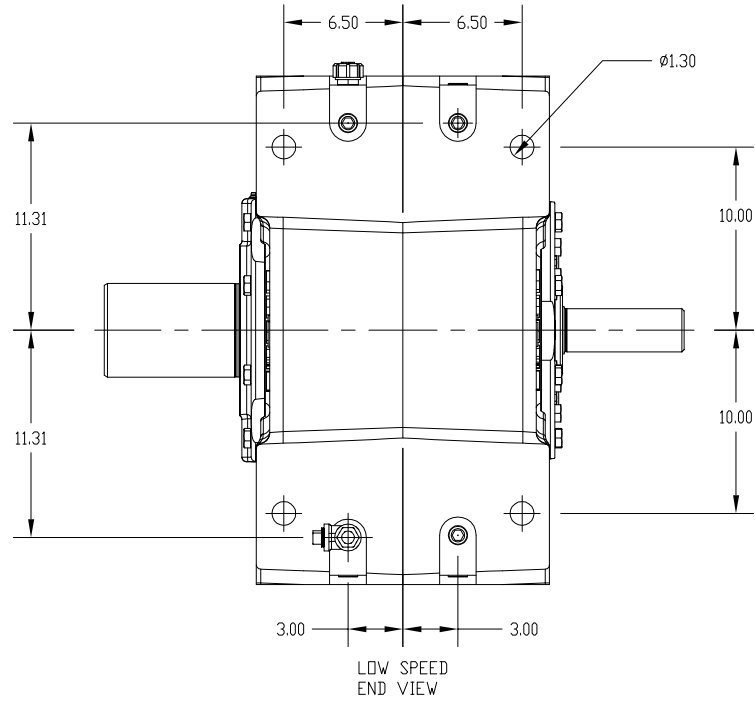
WEIGHT: 2379 Lbs.



SCALE 0.094



SCALE 0.094



GEOMETRIC SYMBOLS		BALDOR ELECTRIC CO. PROPRIETARY AND CONFIDENTIAL. THIS DRAWING IS THE PROPERTY OF BALDOR ELECTRIC CO. AND/OR ITS SUBSIDIARIES AND IS NOT TO BE USED, DUPLICATED OR DISCLOSED WITHOUT THE EXPRESS WRITTEN PERMISSION OF THE COMPANY.		EGR. NO.		CHK		DFT		REV		DATE		APP'D		REVISION	
FLATNESS																	
STRAIGHTNESS																	
ROUNDNESS																	
CYLINDRICITY																	
PROFILE(SURFACE)																	
PARALLELISM																	
PERPENDICULARITY																	
ANGULARITY																	
CIRCULAR RUNOUT																	
TRUE POSITION																	
CONCENTRICITY																	
TOTAL RUNOUT																	
		MATERIAL		DIMENSION TOLERANCE UNLESS OTHERWISE SPECIFIED		PRODUCT		MAGNAGEAR 285K		DIST							
		CASTING OR FORGING NO.		MACHINE TOL. S029 CASTING TOL. S249 FABRICATING TOL. S356		PART		PARRALLEL INPUT - SOLID OUTPUT DOUBLE REDUCTION DIMENSION SHEET									
		TREATMENT		BRK ALL SHRP CORNRS 0.005-0.015		APPROVED BY		ESTERLE		TALIAFERRO		KONRUFF		SCALE 0.188		ORDER NUMBER	
		DATE		06/01/2007		DATE				DATE				SUPERSEDES		ESTIMATE NUMBER	
																SHEET NUMBER 4 OF 4	
																DRAWING NUMBER 453341-SLD B	

BALDOR • DODGE

453341-SLD B