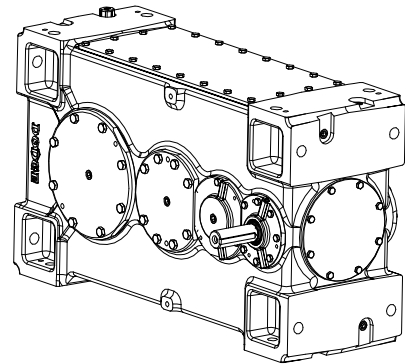
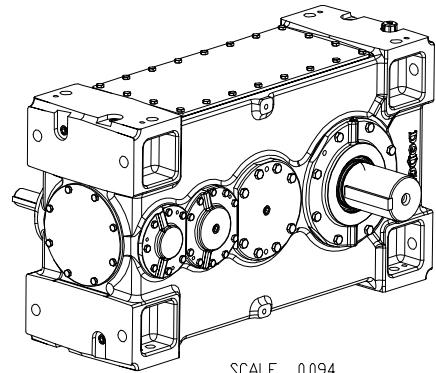


3 STAGE REDUCER
 MODEL NUMBER: MAGNAGEAR 285
 OVERALL RATIO: XX.XX:1
 AGMA CLASS I RATING: XXXX HP @ XXXX RPM
 SERVICE FACTOR XX.XX

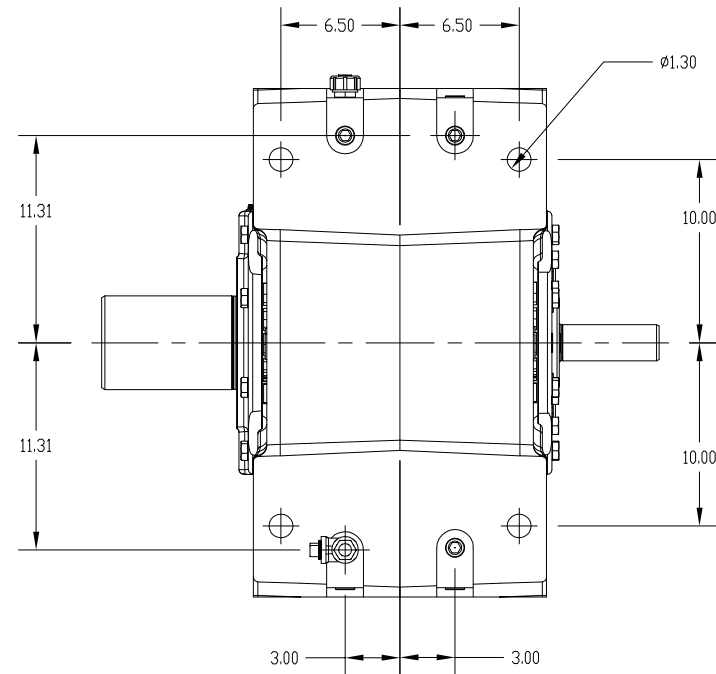
WEIGHT: 2450 LBS



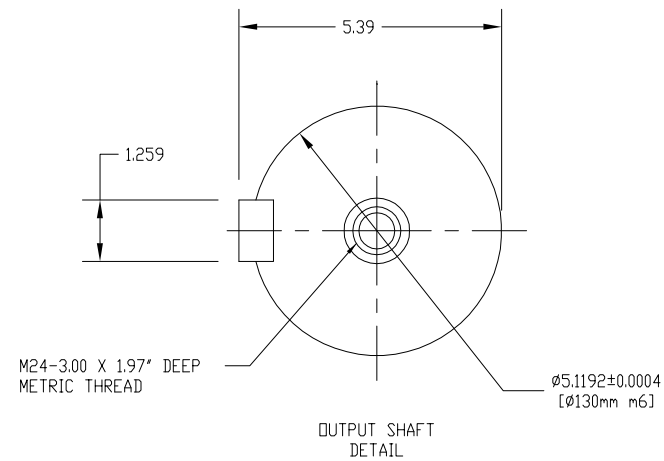
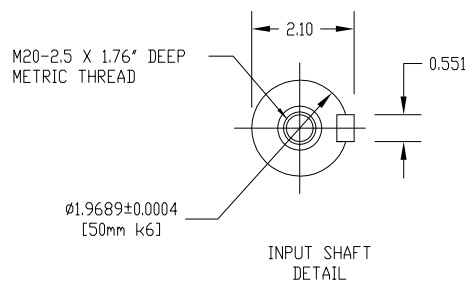
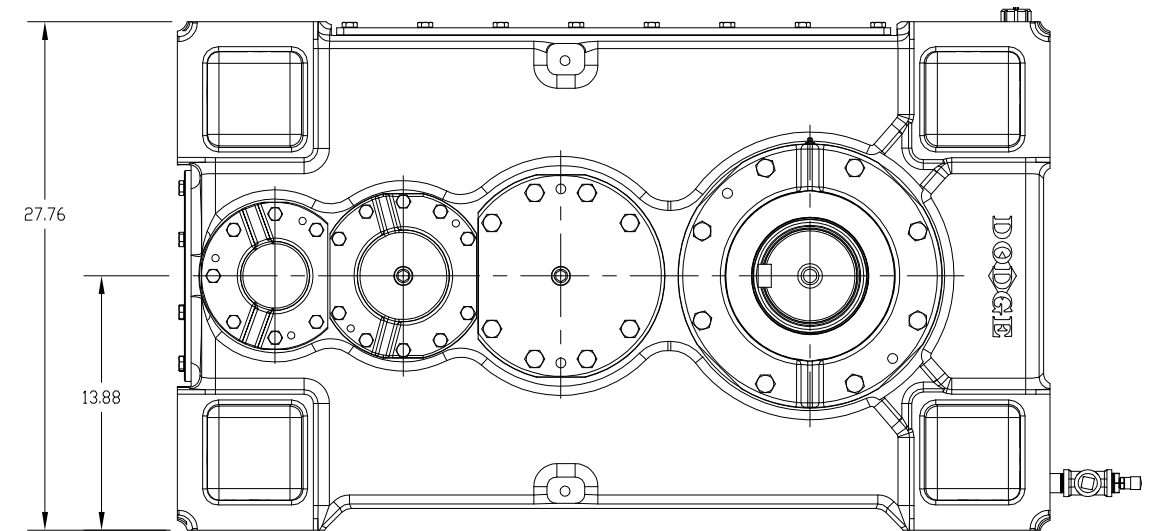
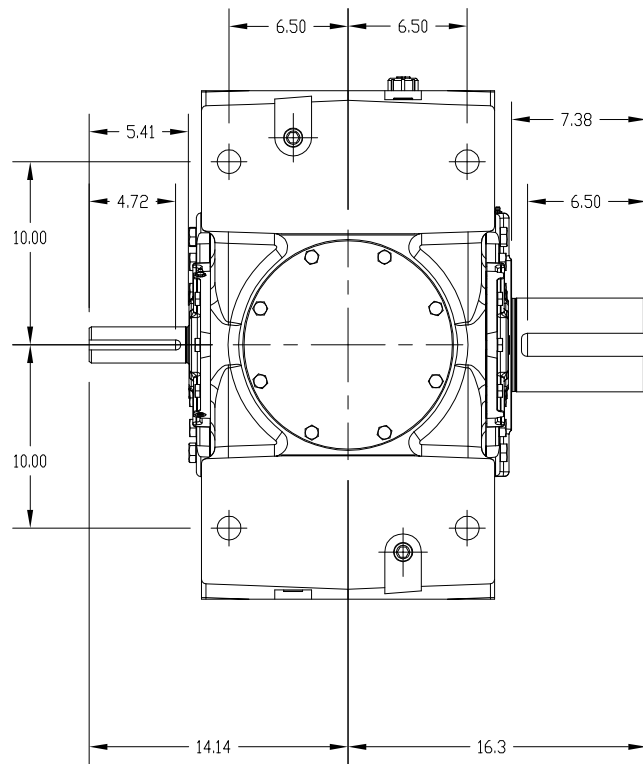
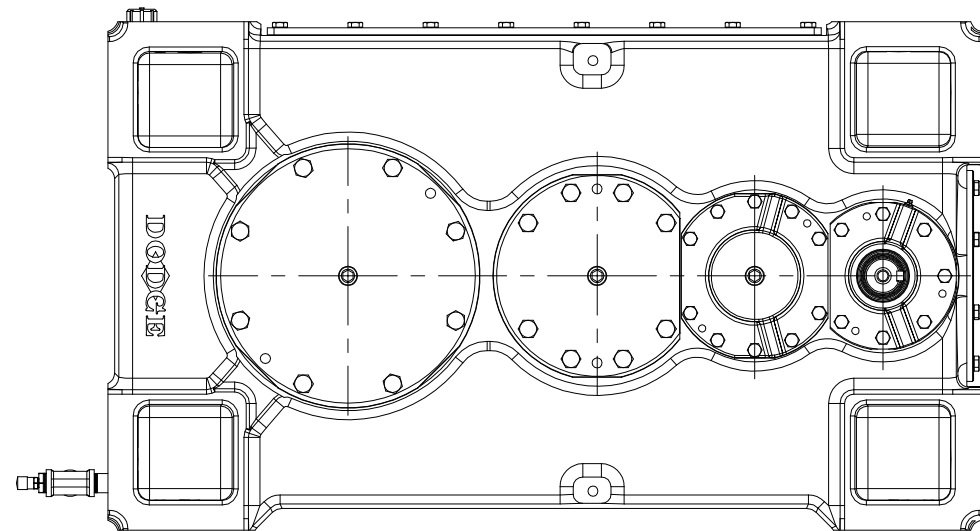
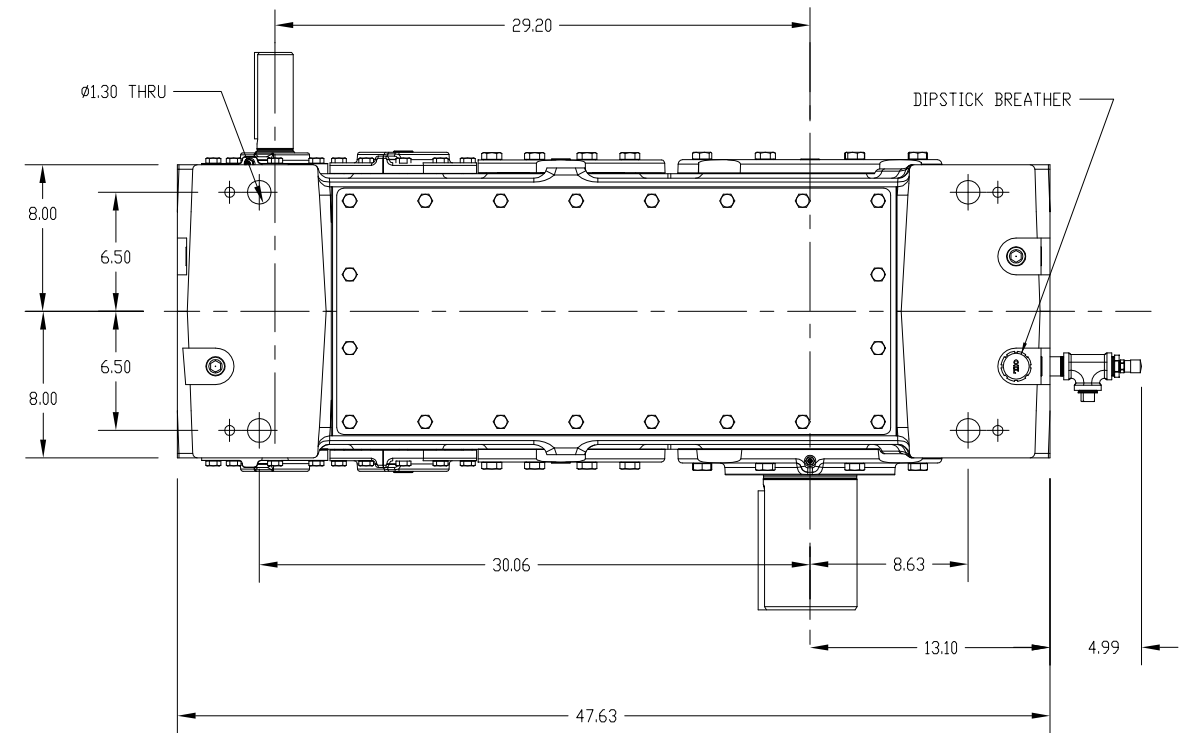
SCALE 0.094



SCALE 0.094



LOW SPEED
END VIEW



GEOMETRIC SYMBOLS		BALDOR ELECTRIC CO. PROPRIETARY AND CONFIDENTIAL. THIS DRAWING IS THE PROPERTY OF BALDOR ELECTRIC CO. AND/OR ITS SUBSIDIARIES AND IS NOT TO BE USED, REPRODUCED OR DISCLOSED WITHOUT THE EXPRESS WRITTEN PERMISSION OF THE COMPANY.		EGR. NO.		CHK		DFT		REV		DATE		APP'D		REVISION	
FLATNESS																	
STRAIGHTNESS																	
ROUNDNESS																	
CYLINDRICITY																	
PROFILE(LINE)																	
PROFILE(SURFACE)																	
PARALLELISM																	
PERPENDICULARITY																	
ANGULARITY																	
CIRCULAR RUNOUT																	
TRUE POSITION																	
CONCENTRICITY																	
TOTAL RUNOUT																	
		MATERIAL		DIMENSION TOLERANCE UNLESS OTHERWISE SPECIFIED		PRODUCT		MAGNAGEAR 285K		DIST							
		CASTING OR FORGING NO.		MACHINE TOL. S022 CASTING TOL. S249 FABRICATING TOL. S356		PART		PARALLEL INPUT SOLID OUTPUT TRIPLE REDUCTION ASSEMBLY LAYOUT									
		TREATMENT		BRK ALL SHRP CORNRS 0.005-0.015		APPROVED BY		KONRUFF		SCALE		0.188		DRA NUMBER			
		DATE		06/05/2007		CHECKED BY		TALIAFERRO		DATE				SUPERSEDES		ESTIMATE NUMBER	
						DATE										SHEET NUMBER	
																4 OF 4	
																DRAWING NUMBER	
																451640-SLD B	



451640-SLD B