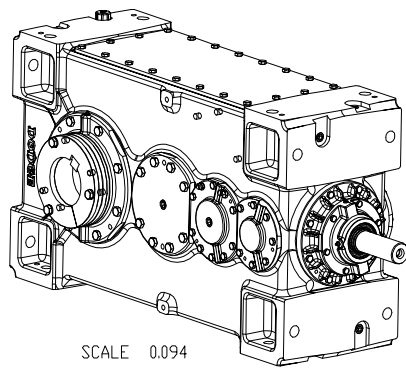
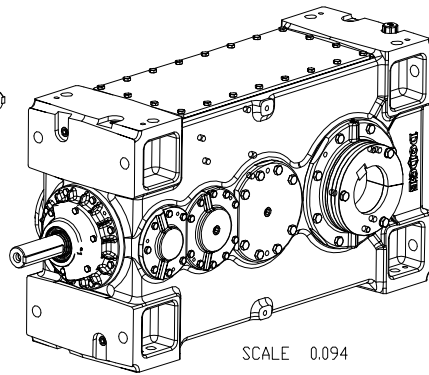


3 STAGE REDUCER  
 MODEL NUMBER: MAGNAGEAR 285K  
 OVERALL RATIO: XX.XX:1  
 AGMA CLASS 1 RATING: XXXX HP @ XXXX RPM  
 SERVICE FACTOR XX.XX

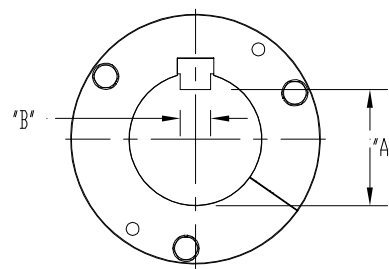
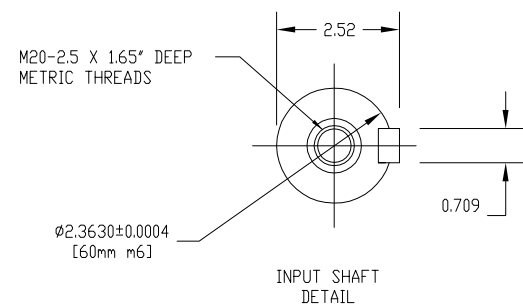
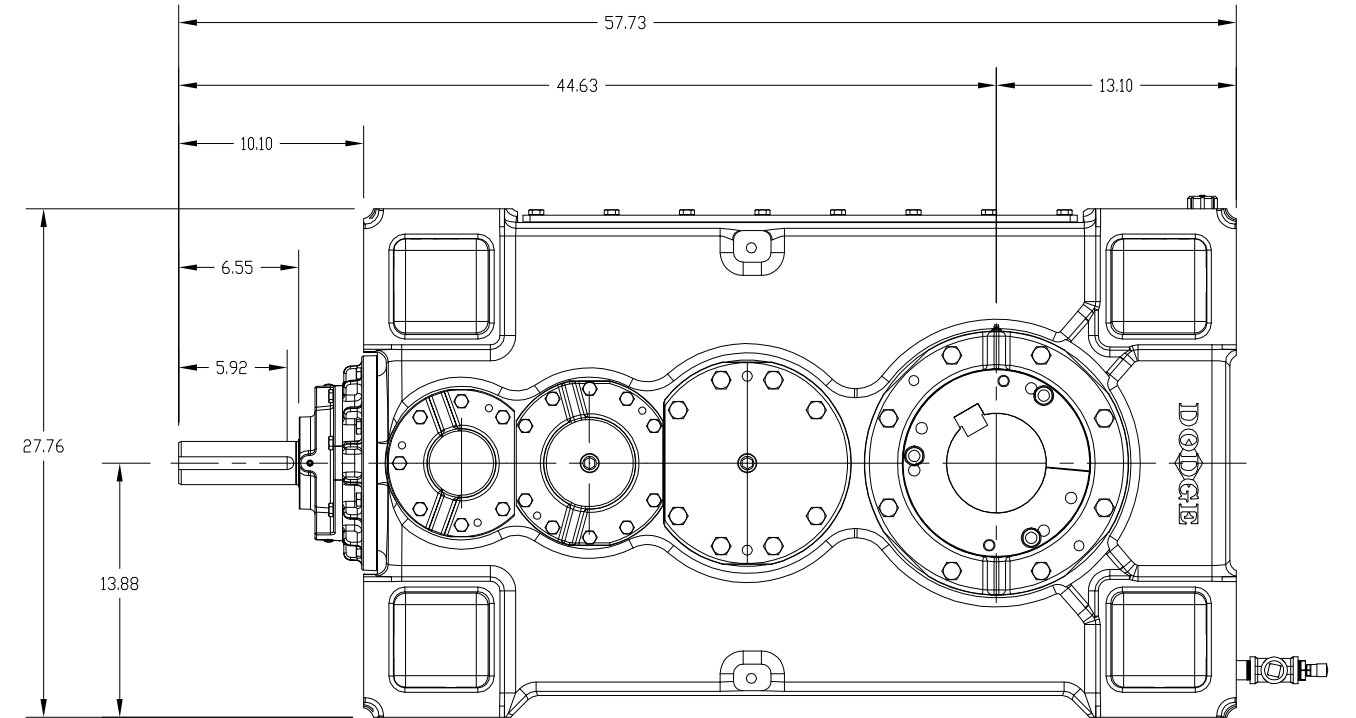
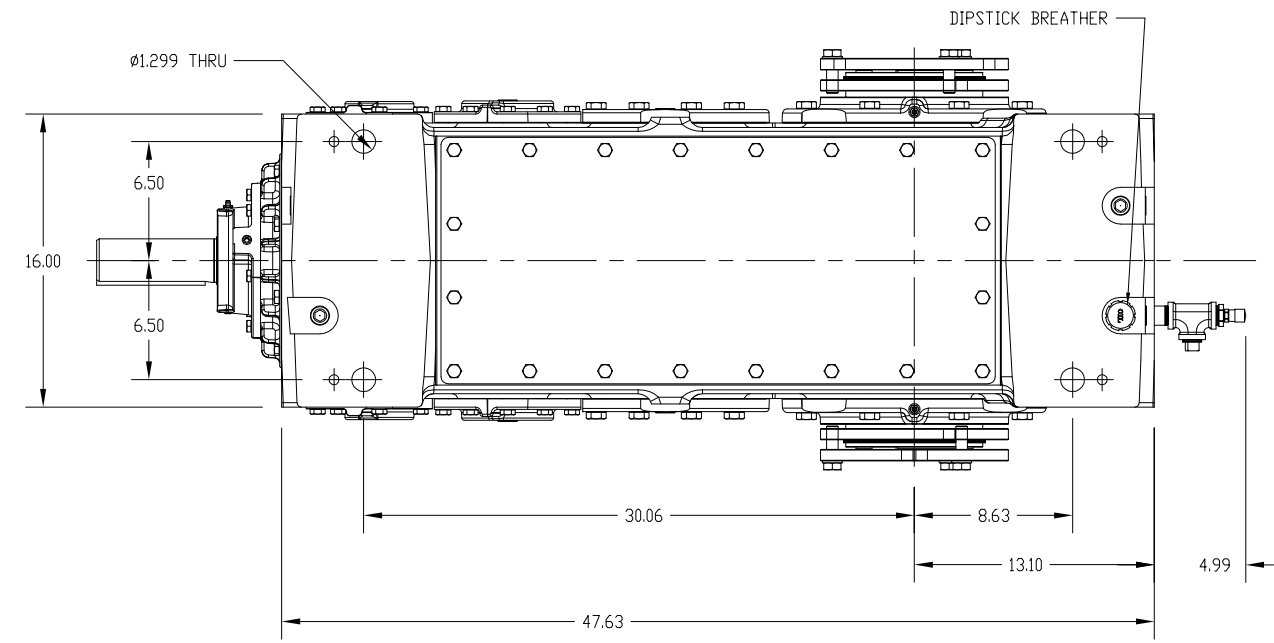
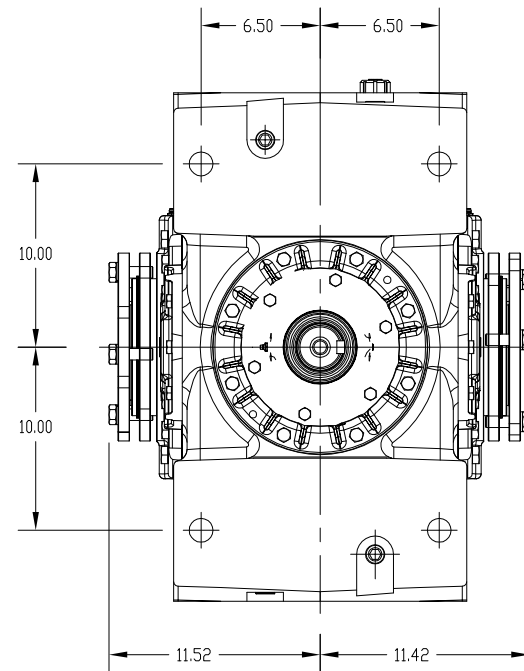
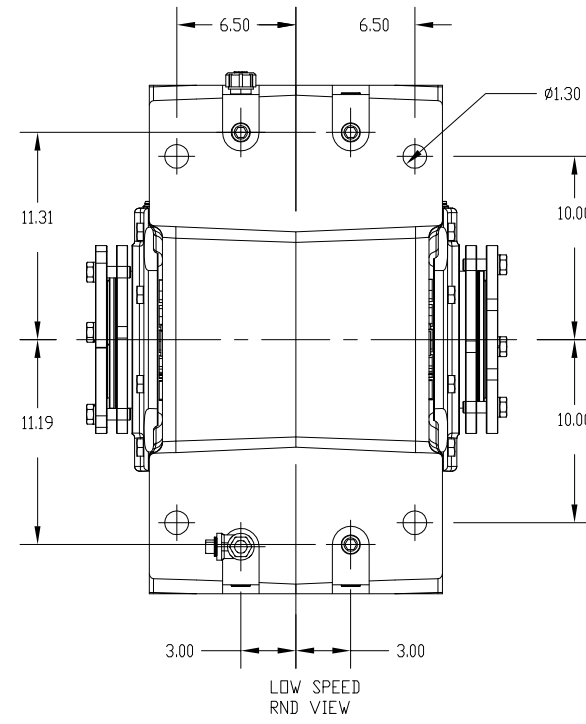
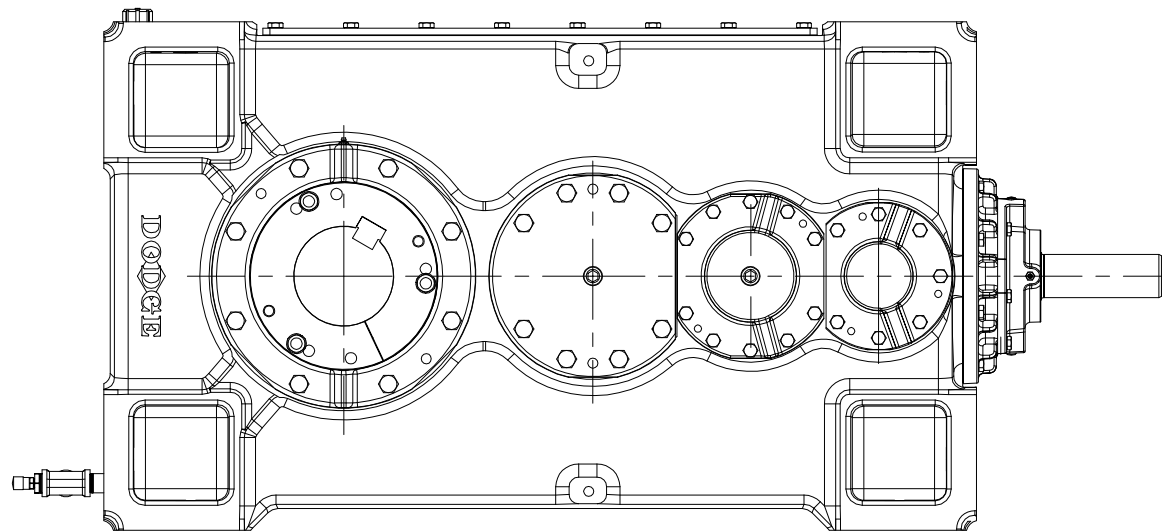
WEIGHT: 2413 Lbs.



SCALE 0.094



SCALE 0.094



BORE DIA.	"A"	"B"
6"	5.155"	1-1/2"
5-15/16"	5.091"	1-1/2"
5-7/16"	4.740"	1-1/4"
4-15/16"	4.232"	1-1/4"
4-7/16"	3.880"	1"
4-3/16"	3.627"	1"
3-15/16"	3.373"	1"
150mm	138mm	36mm
130mm	119mm	32mm
125mm	114mm	32mm
120mm	109mm	32mm
110mm	100mm	28mm
100mm	90mm	28mm

GEOMETRIC SYMBOLS		BALDOR ELECTRIC CO. PROPRIETARY AND CONFIDENTIAL. THIS DRAWING IS THE PROPERTY OF BALDOR ELECTRIC CO. AND/OR ITS SUBSIDIARIES AND IS NOT TO BE USED, REPRODUCED OR DISCLOSED WITHOUT THE EXPRESS WRITTEN PERMISSION OF THE COMPANY.		CHECKED BY		DATE		REVISION	
FLATNESS									
STRAIGHTNESS									
ROUNDNESS									
CYLINDRICITY									
PROFILE(SURFACE)									
PARALLELISM									
PERPENDICULARITY									
ANGULARITY									
CIRCULAR RUNDUT									
TRUE POSITION									
CONCENTRICITY									
TOTAL RUNDUT									
MATERIAL		DIMENSION TOLERANCE UNLESS OTHERWISE SPECIFIED		CHECKED BY		DATE		REVISION	
CASTING OR FORGING NO.		MACHINE TOL. S022 CASTING TOL. S249 FABRICATING TOL. S356		TALIAFERRO		11/02/2006		MAGNAGEAR 285K	
TREATMENT		BRK ALL SHRP CORNRS 0.005-0.015		KONRUFF				PART	
				ESTERLE				RIGHT ANGLE HOLLOW OUTPUT ASSEMBLY LAYOUT	
				DATE		SCALE		DRAWING NUMBER	
						0.188		451500-HLW B	
						SHEET NUMBER		2 OF 4	



451500-HLW B