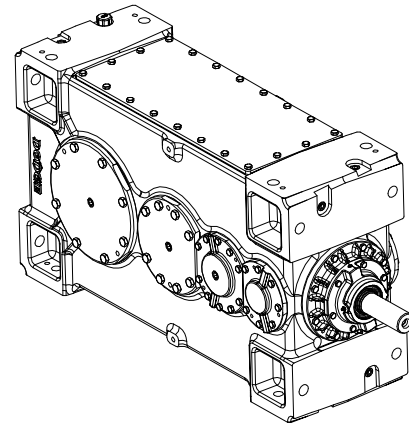
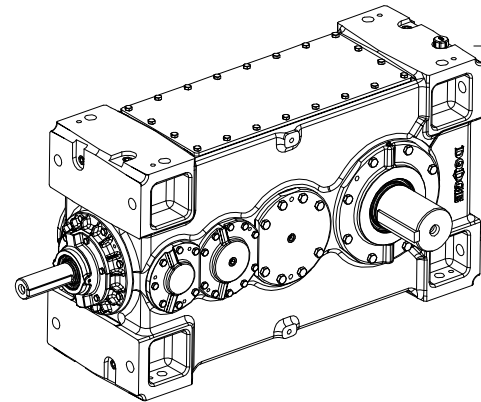


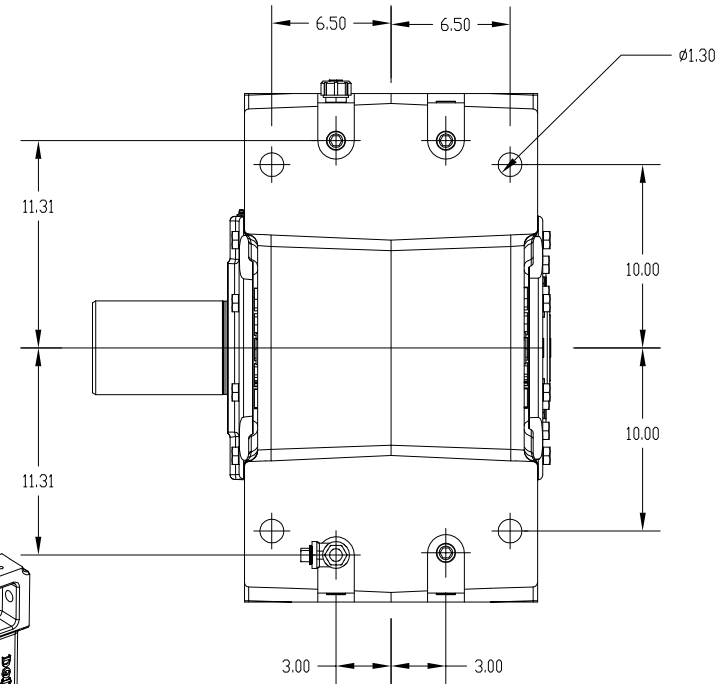
3 STAGE REDUCER
 MODEL NUMBER: MAGNAGEAR 285K
 OVERALL RATIO: XX.XX:1
 AGMA CLASS 1 RATING: XXXX HP @ XXXX RPM
 SERVICE FACTOR XX.XX
 WEIGHT: 2536 Lbs



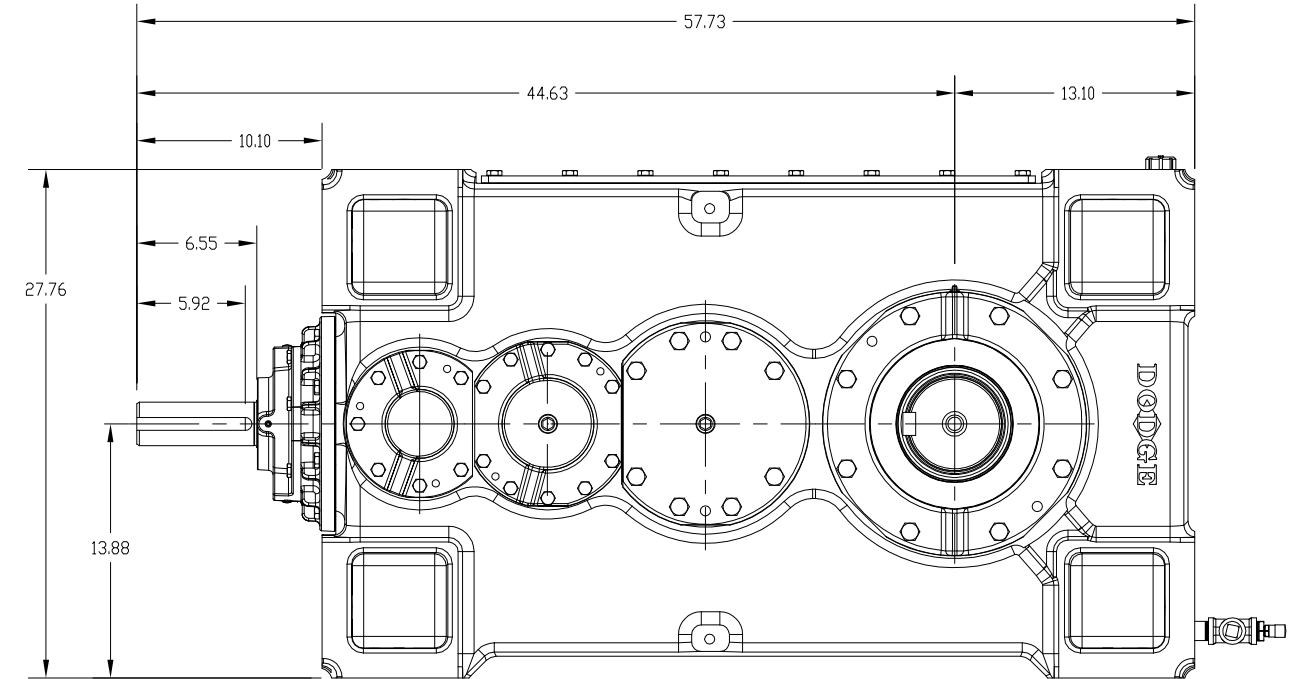
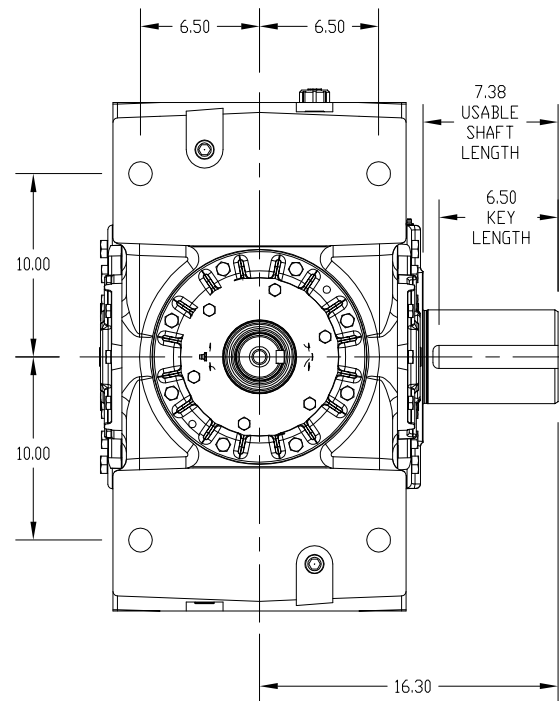
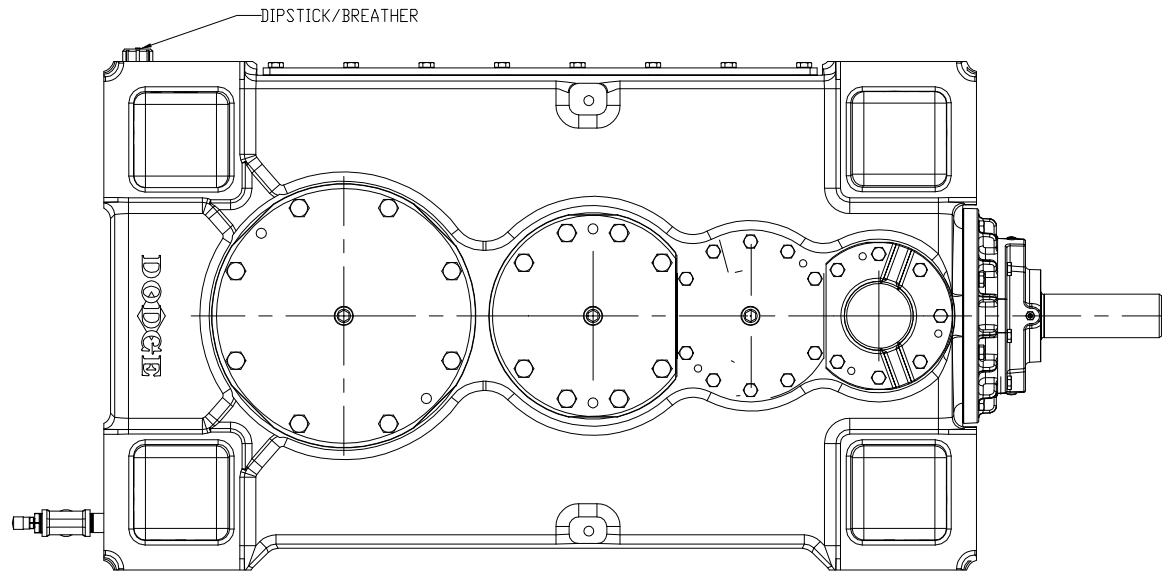
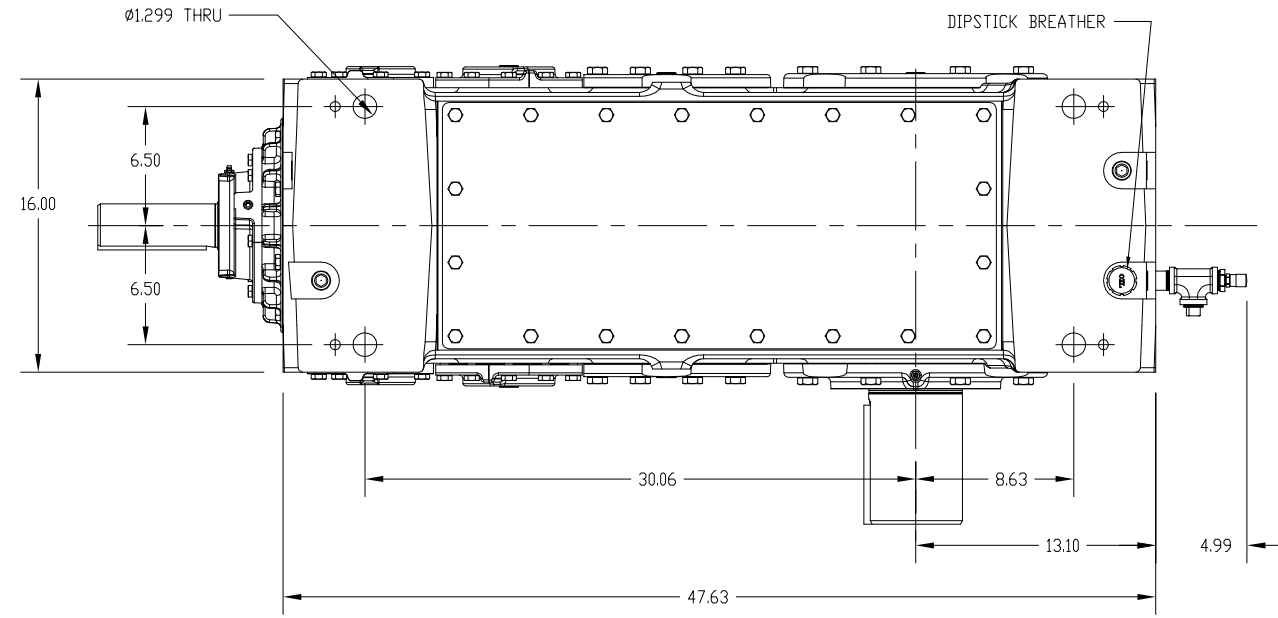
SCALE 0.094



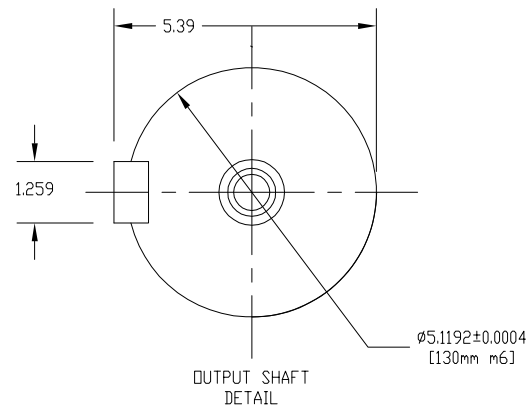
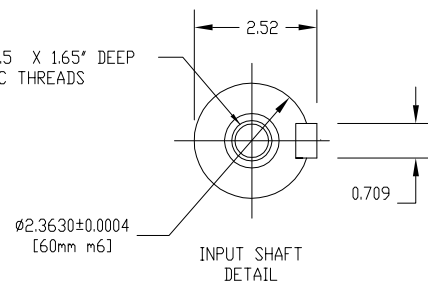
SCALE 0.094



LOW SPEED
END VIEW



M20-2.5 X 1.65" DEEP
METRIC THREADS



GEOMETRIC SYMBOLS		BALDOR ELECTRIC CO. PROPRIETARY AND CONFIDENTIAL. THIS DRAWING IS THE PROPERTY OF BALDOR ELECTRIC CO. AND/OR ITS SUBSIDIARIES AND IS NOT TO BE USED, REPRODUCED OR DISCLOSED WITHOUT THE EXPRESS WRITTEN PERMISSION OF THE COMPANY.		EGR. NO.		CHK		DFT		REV		DATE		APP'D		REVISION	
FLATNESS																	
STRAIGHTNESS																	
ROUNDNESS																	
CYLINDRICITY																	
PROFILE(SURFACE)																	
PARALLELISM																	
PERPENDICULARITY																	
ANGULARITY																	
CIRCULAR RUNOUT																	
TRUE POSITION																	
CONCENTRICITY																	
TOTAL RUNOUT																	
MATERIAL		DIMENSION TOLERANCE UNLESS OTHERWISE SPECIFIED		PRODUCT		MAGNAGEAR 285K		DIST									
CASTING OR FORGING NO.		MACHINE TOL. S022		PART		RIGHT ANGLE SOLID OUTPUT ASSEMBLY LAYOUT											
TREATMENT		CASTING TOL. S249		APPROVED BY		KONRUFF		SCALE		0.188		ORDER NUMBER					
DATE		FABRICATING TOL. S356		DATE		10/24/2007		DATE		10/24/2007		SUPERSEDES		ESTIMATE NUMBER		SHEET NUMBER	
DATE		BRK ALL SHRP CORNRS 0.005-0.015		DATE		10/24/2007		DATE		10/24/2007		DRAWING NUMBER		451500-SLD		B	