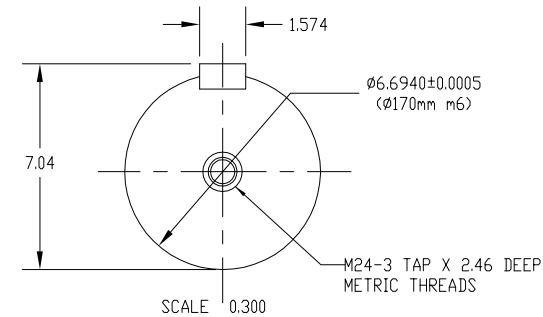
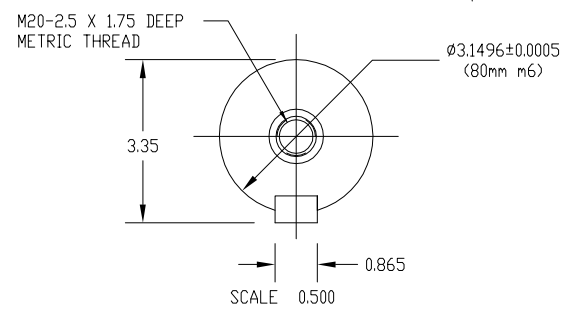


2 STAGE SPEED REDUCER

MODEL NUMBER: LHPG 525K
 OVERALL RATIO: XXX.XX : 1
 AGMA CLASS 1 RATING: XXXX HP @ XXXX INPUT RPM
 SERVICE FACTOR: XX.XX



GEOMETRIC SYMBOLS		BALDOR ELECTRIC CO. PROPRIETARY AND CONFIDENTIAL. THIS DRAWING IS THE PROPERTY OF BALDOR ELECTRIC CO. AND/OR ITS SUBSIDIARIES AND IS NOT TO BE USED, REPRODUCED OR DISCLOSED WITHOUT THE EXPRESS WRITTEN PERMISSION OF THE COMPANY.		REVISION				
FLATNESS		DGVECR#327	DM	BL	C	8/06/08	MK	CHG BRG FROM 453680 TO 402261/ADD 453613,453628
STRAIGHTNESS		DGVECR#190	LKT	BL	A	02/08/08	MK	UPDATED DRAWING
ROUNDNESS		ECR. NO.	CHK	DFT	REV	DATE	APP'D	REVISION
CYLINDRICITY		MATERIAL SEE BOM		DIMENSION TOLERANCE UNLESS OTHERWISE SPECIFIED		PRODUCT LHPG 525K		
PROFILE(SURFACE)		CASTING OR FORGING NO.		MACHINE TOL. S022		PART ASSEMBLY B.O.M. PARALLEL SHAFT		
PARALLELISM		FABRICATING TOL. S356		BRK ALL SHRP CORNRS 0.005-0.015		DIST		
PERPENDICULARITY		TREATMENT		APPROVED BY		SCALE 0.188		
ANGULARITY		ESTERLE		K. TALLAFERRO		ORDER NUMBER		
CIRCULAR RUNDOUT		DATE 05/30/2006		M. KINRUFF		SUPERSEDES		
TRUE POSITION						ESTIMATE NUMBER		
CONCENTRICITY						DRAWING NUMBER		
TOTAL RUNDOUT						453640		
							SHEET NUMBER 1 OF 2	



453640