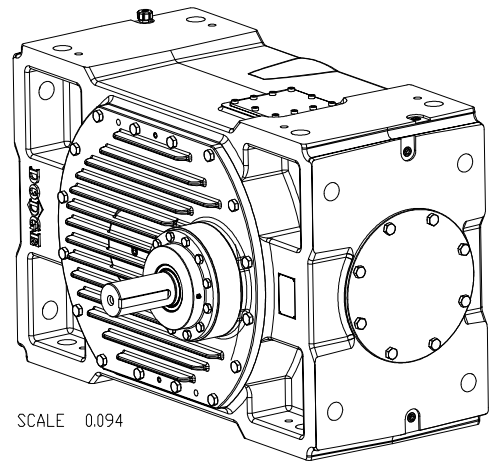
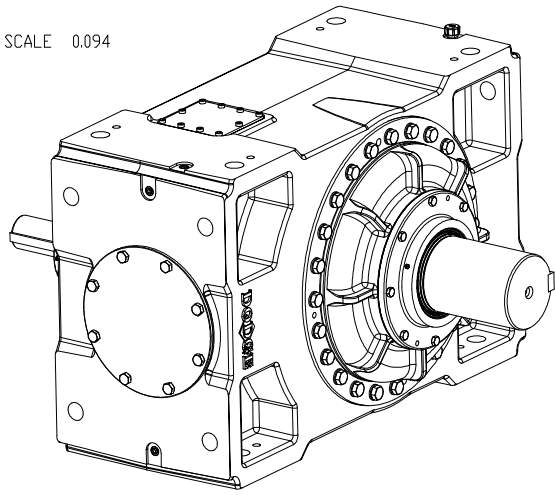
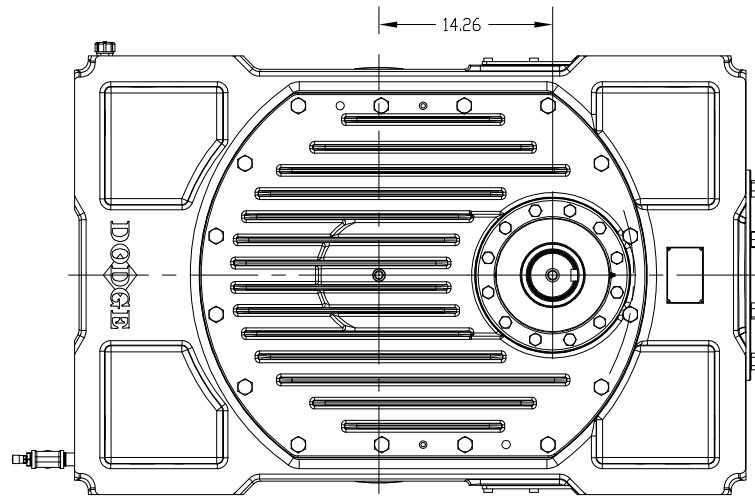
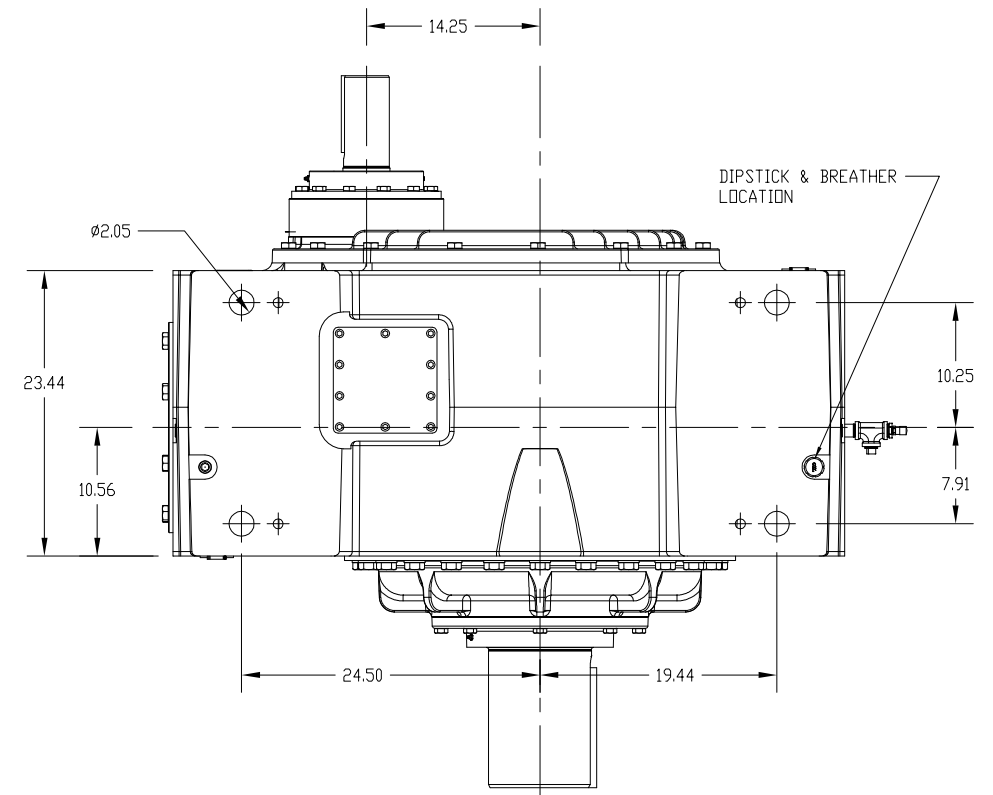
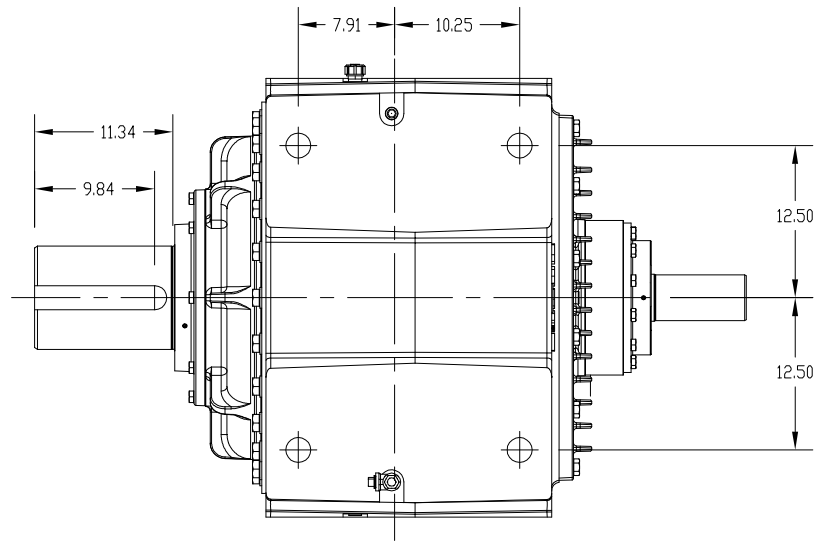


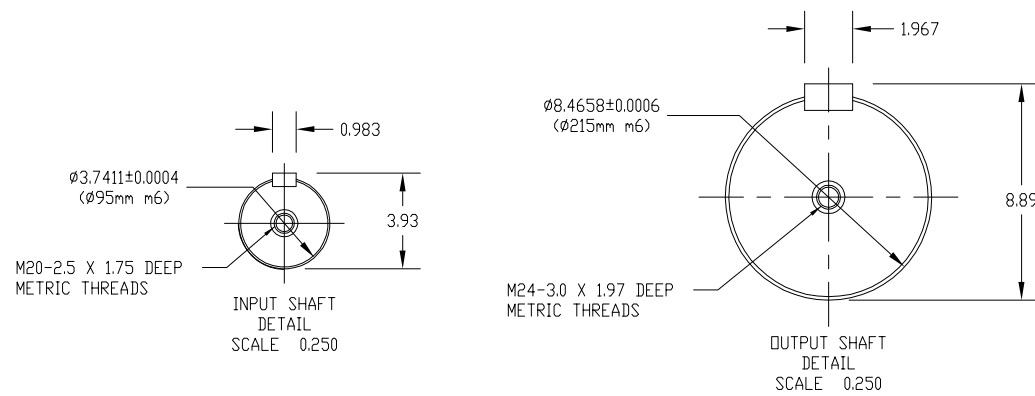
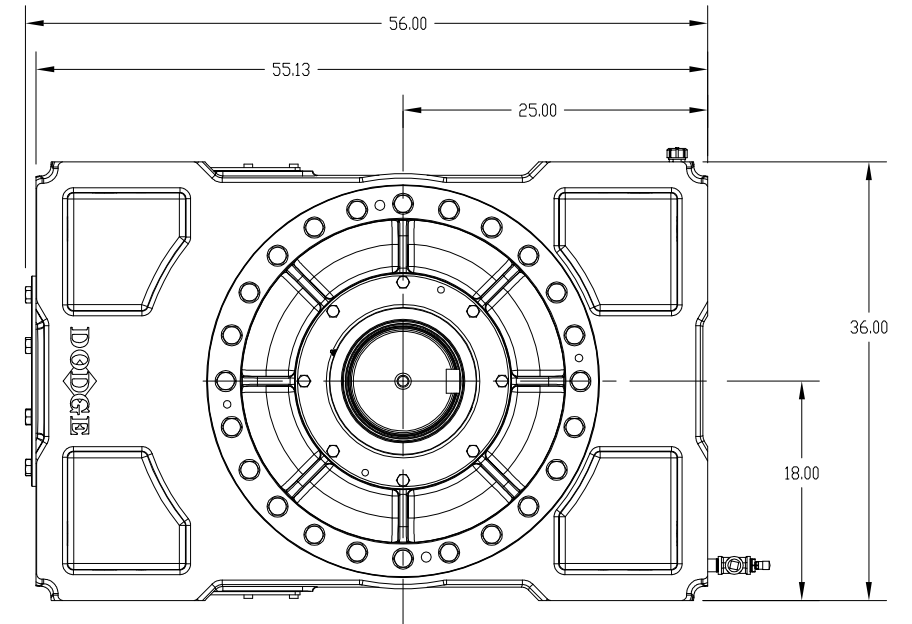
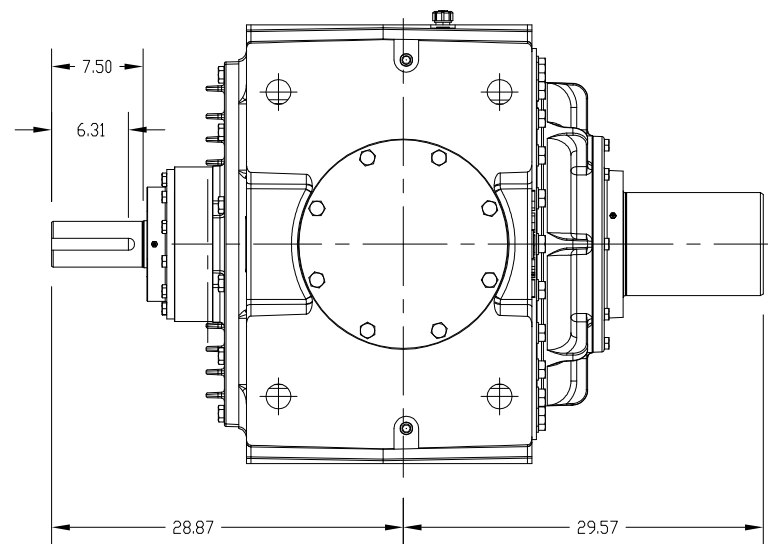
SCALE 0.094



SCALE 0.094



OIL DRAIN LOCATION  
TYP. (2) PLACES  
TOP & BOTTOM



3 STAGE SPEED REDUCER

MODEL NUMBER: MAGNA 920K RIGHT ANGLE UNIT WITHOUT BACKSTOP  
OVERALL RATIO: XXX.XX : 1  
AGMA CLASS 1 RATING: XXXX HP @ XXXX INPUT RPM  
SERVICE FACTOR: XX.XX

APPX UNIT WEIGHT = 6937 LBS ( WITHOUT OIL )

GEOMETRIC SYMBOLS		BALDOR ELECTRIC CO. PROPRIETARY AND CONFIDENTIAL. THIS DRAWING IS THE PROPERTY OF BALDOR ELECTRIC CO. AND/OR ITS SUBSIDIARIES AND IS NOT TO BE USED, REPRODUCED OR DISCLOSED WITHOUT THE EXPRESS WRITTEN PERMISSION OF THE COMPANY.		REVISION	
FLATNESS					
STRAIGHTNESS					
ROUNDNESS					
CYLINDRICITY		MATERIAL SEE BOM	DIMENSION TOLERANCE UNLESS OTHERWISE SPECIFIED		
PROFILE(SURFACE)			MACHINE TOL. S029	PRODUCT	MAGNAGEAR 920K
PARALLELISM		CASTING OR FORGING NO.	CASTING TOL. S249	PART	DIMENSION SHEET & LAYOUT
PERPENDICULARITY			FABRICATING TOL. S356	PARALLEL UNIT	
ANGULARITY		TREATMENT	BRK ALL SHRP CORNRS 0.005-0.015	APPROVED BY	SCALE
CIRCULAR RUNOUT				KINRUFF	0.125
TRUE POSITION		DATE	07/31/2006	DATE	
CONCENTRICITY				ESTIMATE NUMBER	
TOTAL RUNOUT				DRAWING NUMBER	453840

**BALDOR • DODGE**

453840