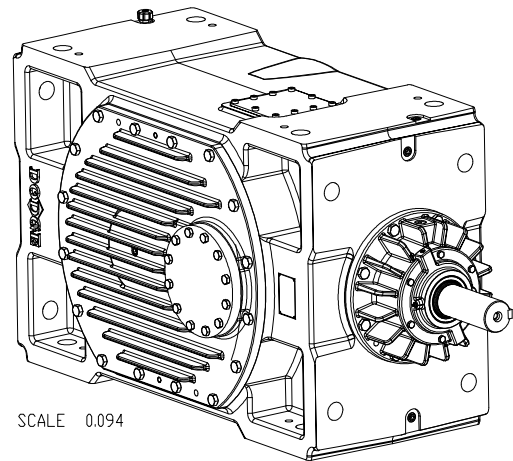
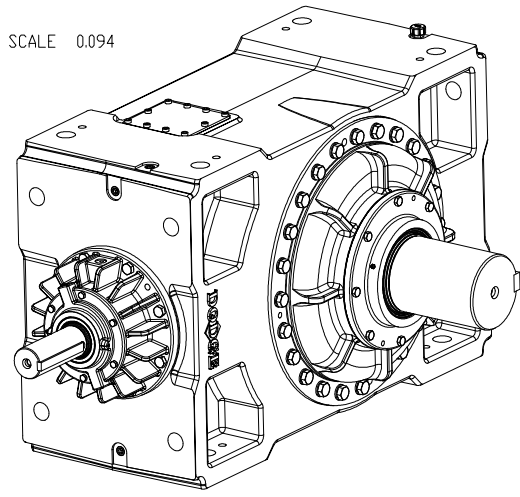
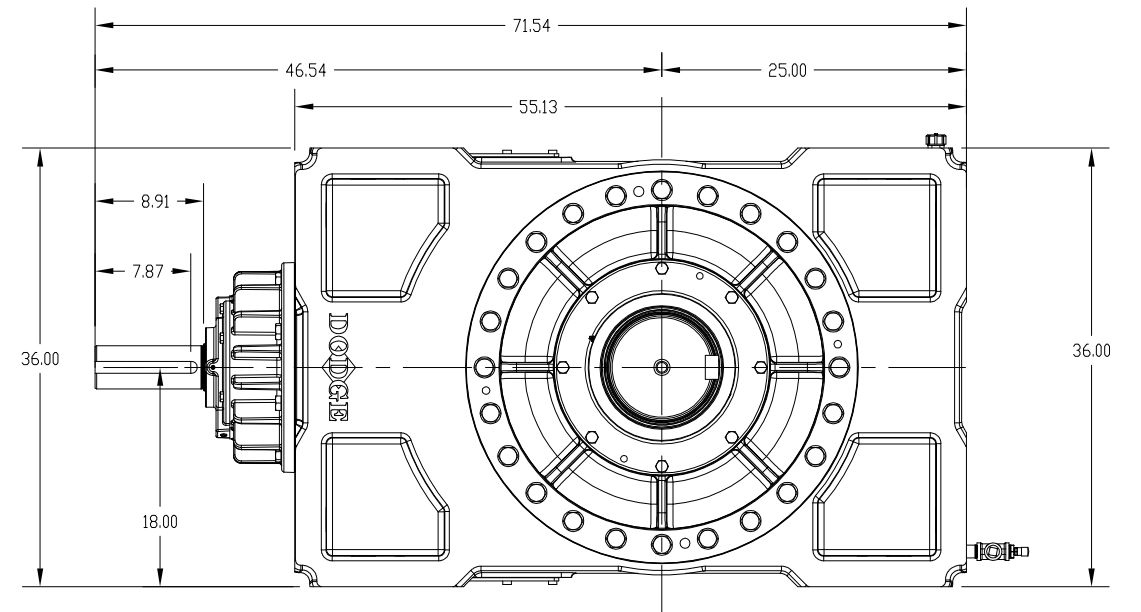
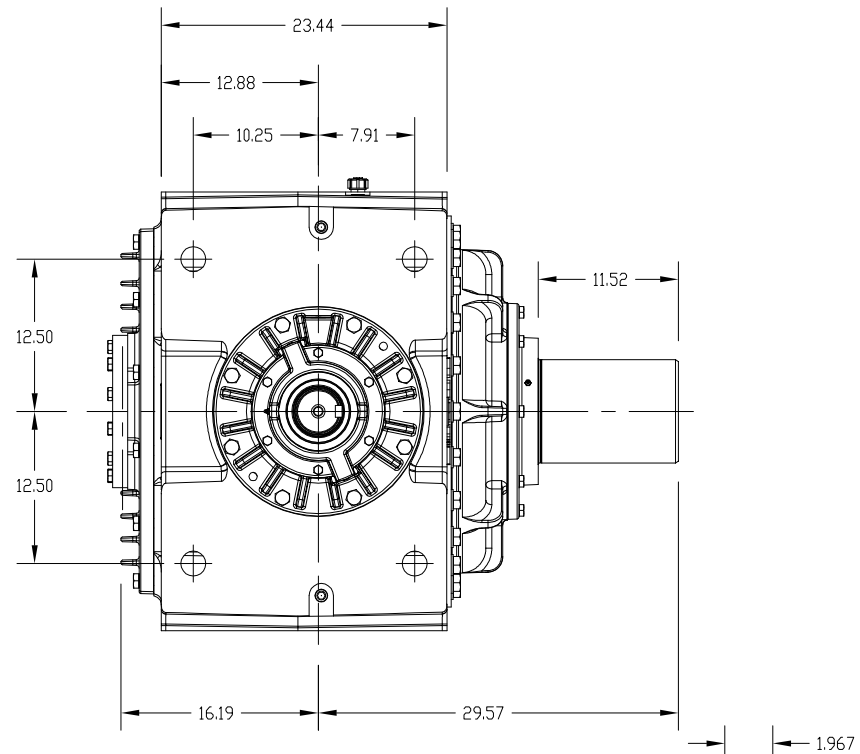
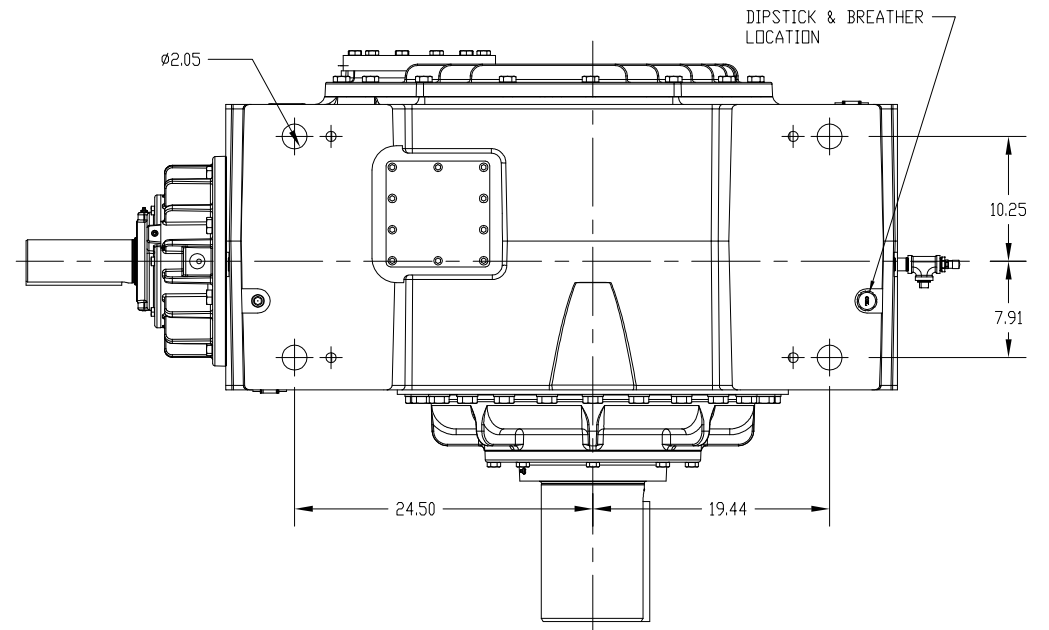
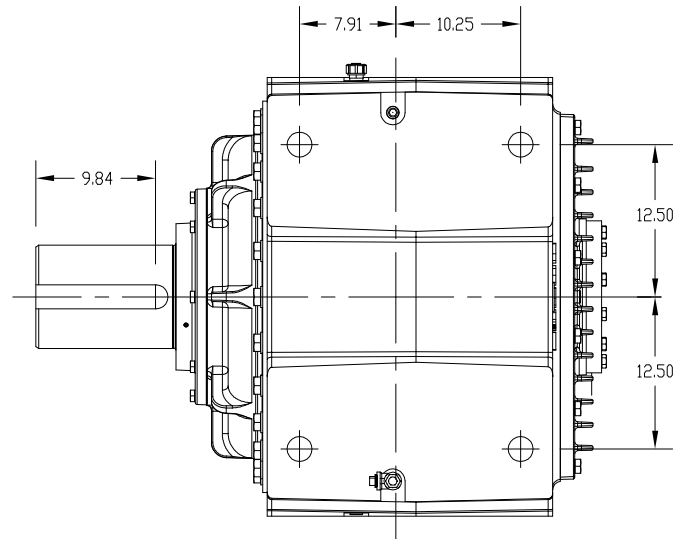
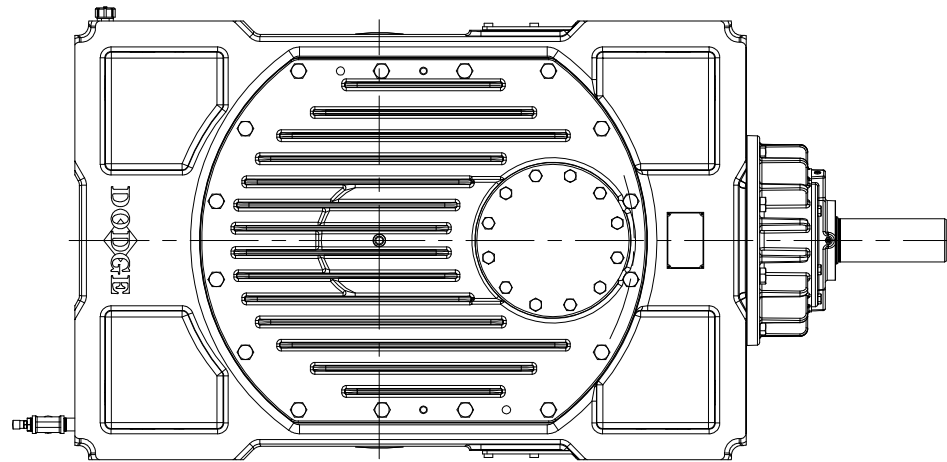


SCALE 0.094



SCALE 0.094



3 STAGE SPEED REDUCER

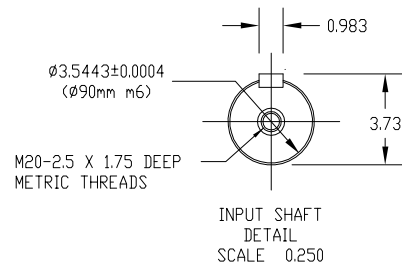
MODEL NUMBER: MAGNA 920K RIGHT ANGLE UNIT WITHOUT BACKSTOP

OVERALL RATIO: XXX.XX : 1

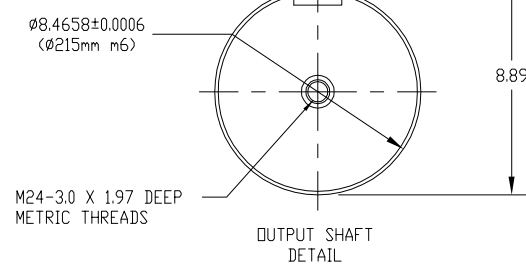
AGMA CLASS 1 RATING: XXXX HP @ XXXX INPUT RPM

SERVICE FACTOR: XX.XX

APPX UNIT WEIGHT = 6937 LBS (WITHOUT OIL)



INPUT SHAFT
DETAIL
SCALE 0.250



OUTPUT SHAFT
DETAIL
SCALE 0.250

GEOMETRIC SYMBOLS		BALDOR ELECTRIC CO. PROPRIETARY AND CONFIDENTIAL. THIS DRAWING IS THE PROPERTY OF BALDOR ELECTRIC CO. AND/OR ITS SUBSIDIARIES AND IS NOT TO BE USED, REPRODUCED OR DISCLOSED WITHOUT THE EXPRESS WRITTEN PERMISSION OF THE COMPANY.		EGR. NO.		CHK		DFT		REV		DATE		APP'D		REVISION	
FLATNESS		MATERIAL	SEE BOM	DIMENSION TOLERANCE UNLESS OTHERWISE SPECIFIED		PRODUCT		MAGNAGEAR 920K		DIST							
STRAIGHTNESS				MACHINE TOL. S022		PART		DIMENSION SHEET & LAYOUT									
ROUNDNESS				CASTING TOL. S249		RIGHT ANGLE UNIT											
CYLINDRICITY				FABRICATING TOL. S356													
PROFILE(SURFACE)				BRK ALL SHRP CORNRS 0.005-0.015													
PARALLELISM																	
PERPENDICULARITY																	
ANGULARITY																	
CIRCULAR RUNDOUT																	
TRUE POSITION																	
CONCENTRICITY																	
TOTAL RUNDOUT																	

BALDOR • DODGE

DRAWING NUMBER 453700

SHEET NUMBER 3 OF 3