

MODIFICATIONS/ ACCESSORIES

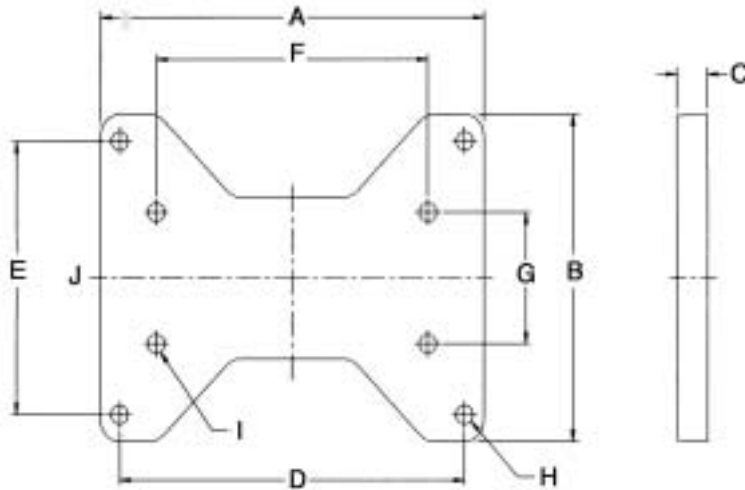


Combination TIGEAR BOLT-ON FOOT



All Combination TIGEAR units include drilled and tapped mounting holes on the bottom of the reducer, but do not include the base. Kits listed below include a cast iron bolt-on-foot and the required mounting hardware.

Reducer Case Size	Kit Number
150	6011246
200	6011253
262	6011260
350	6011277



SIZE	A	B	C	D	E	F	G	H	I	J
150	8.00	6.00	0.66	7.00	5.00	6.30	2.48	0.34	0.38	3.29
200	10.00	7.76	0.79	9.00	6.50	7.09	3.15	0.41	0.41	3.55
262	12.24	9.24	0.79	11.00	8.00	9.29	3.74	0.53	0.41	4.53
350	15.24	10.24	0.99	14.00	9.00	11.81	4.92	0.65	0.50	5.94

FEATURES/BENEFITS PAGE G5-2	SPECIFICATION PAGE G5-4	NOMENCLATURE PAGE G5-5	RENEWAL PARTS PAGE G5-45
--------------------------------	----------------------------	---------------------------	-----------------------------



Combination TIGEAR TIE ROD KIT

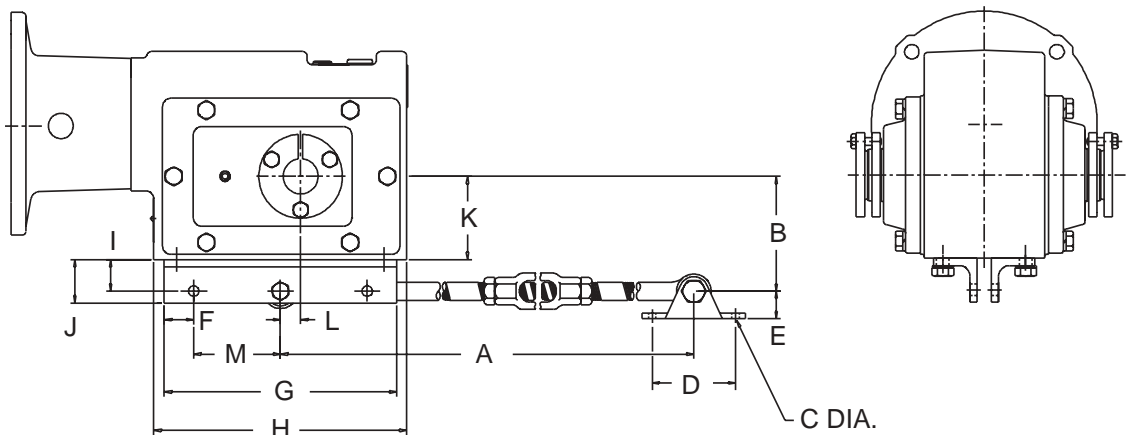


The Tie Rod Kit is available for restraining Straight Bore and Tapered Bore Hollow Shaft Reducers. Each kit includes reducer mounting brackets, tie rods, turnbuckle, fulcrum and mounting hardware.

Reducer Case Size	Tie Rod Kit	Mounting Brackets Only Includes Hardware
150	6009878	6009861
200	6002503	6009885
262	6009915	6009908
350	6009953	6009922

	A MIN. - MAX.	B	C	D	E	F
C150	14.75 - 17.75	3.57	0.39	2.50	0.94	1.13
C200	14.75 - 17.75	4.22	0.39	2.50	0.94	1.37
C262	14.75 - 17.75	5.01	0.39	2.50	0.94	0.95
C350	19.50 - 25.50	5.83	0.45	3.00	1.06	1.50

	G	H	I	J	K	L	M
C150	7.25	7.58	1.09	1.25	2.48	0.60	2.50
C200	8.00	8.70	1.09	1.50	3.13	0.68	2.63
C262	9.75	10.52	1.09	1.50	3.92	0.94	3.93
C350	13.00	13.27	0.93	1.50	4.90	1.26	5.00



FEATURES/BENEFITS PAGE G5-2	SPECIFICATION PAGE G5-4	NOMENCLATURE PAGE G5-5	RENEWAL PARTS PAGE G5-45
--------------------------------	----------------------------	---------------------------	-----------------------------

MODIFICATIONS/ ACCESSORIES



Combination TIGEAR OUTPUT FLANGE

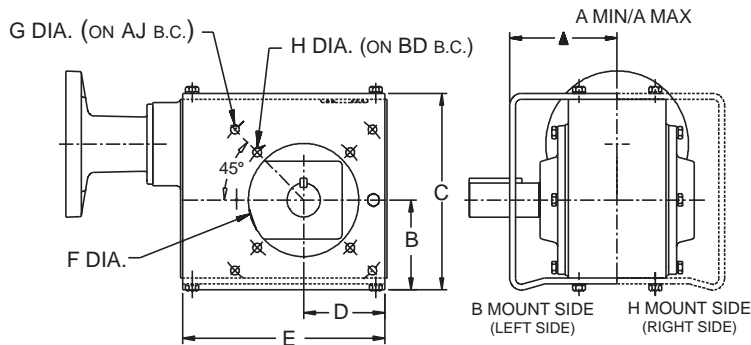


The Output Flange Kit is used to mount the reducer to a flat surface perpendicular to the output shaft. On Hollow Shaft units, an output flange may be substituted for a tie rod kit to restrain reactions. Each kit consists of a fabricated steel flange and required mounting hardware.

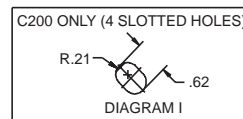
CASE SIZE	KIT MODEL NO. (B MTG.)	KIT MODEL NO. (H MTG.)
C150	6011710	6011673
C200	6011727	6011680
C262	6011734	6011697
C350	6011741	6011703

CASE SIZE	A MIN.	A MAX.	BF	AJ
C150	3.27	5.50	4.00	5.12
C200	3.60	6.21	*6.31	N/A
C262	4.26	6.93	6.51	8.51
C350	5.40	8.21	8.46	12.50

CASE SIZE	B	C	D	E	F DIA.	G DIA. (TYP.)	H DIA. (TYP.)
C150	2.68	6.42	2.98	7.30	3.12	0.36	0.41
C200	3.41	7.59	3.63	8.50	5.12	SEE DIAGRAM 1	
C262	4.24	9.47	4.18	10.25	5.12	0.54	0.41
C350	5.28	11.95	5.23	13.00	7.09	0.56	0.56



* BOLT CIRCLE TO CENTER OF SLOT
NOTE: 1) FLANGE DIMENSIONS THE SAME FOR ALL SHAFT CONFIGURATIONS



FEATURES/BENEFITS PAGE G5-2	SPECIFICATION PAGE G5-4	NOMENCLATURE PAGE G5-5	RENEWAL PARTS PAGE G5-45
--------------------------------	----------------------------	---------------------------	-----------------------------



Combination TIGEAR RISER BLOCK KITS

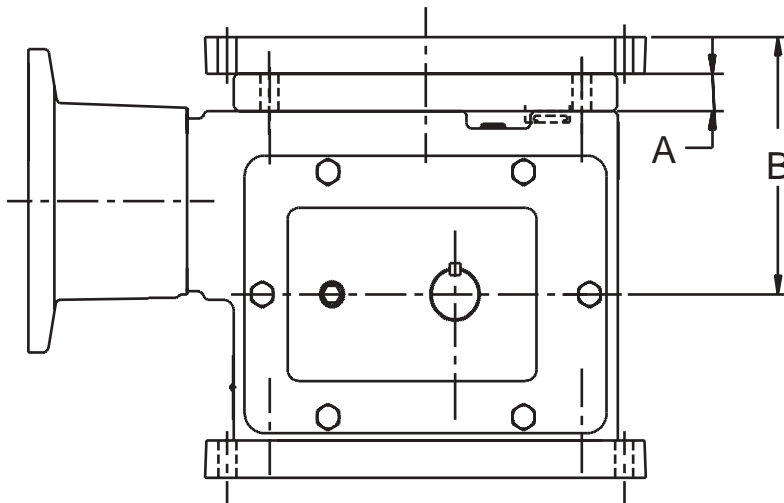


Riser blocks allow clearance over the motor eliminating the need to invert the reducer (worm under) when the application calls for a “ceiling” mount such as under a conveyor or other equipment. Riser blocks permit the reducer to be mounted in the most desirable position keeping the high speed shaft seal above the oil level. Experience shows that this results in increased seal life and durability. Each kit includes the riser block and required mounting hardware.

CASE SIZE	MOTOR FRAME SIZE	KIT MODEL NUMBER	“B” (MM)	“B” (IN) +.00/-.02 .02	“A” RISER BLOCK (IN)”
C150	56/140	6011789	140	5.51	1.29
C200	56/140	6011796	140	5.51	0.77
	180	6011987	180	7.09	2.35
C262	56/140	6011802	160	6.30	0.58
	180	6011994	200	7.87	2.15
C350	56/140	6011819	200	7.87	0.57
	180/210	6012007	225	8.86	1.56

Note: Dimension B includes optional Bolt-On Foot

DODGE COMBINATION TIGEAR



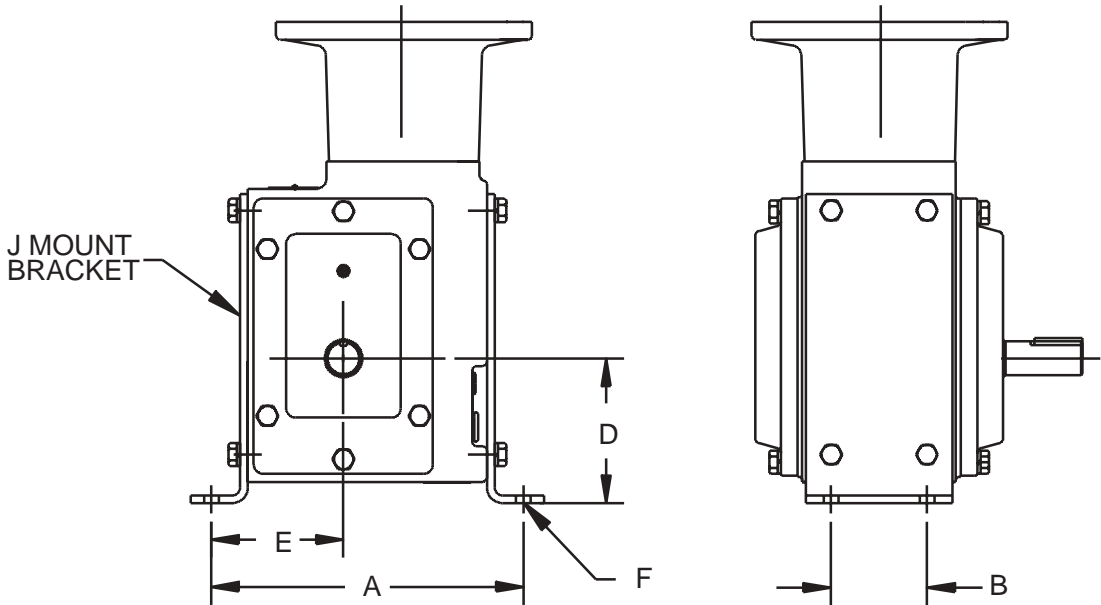


Combination TIGEAR J-MOUNT KITS



J-mount kits allow the reducer to be “floor” mounted with the motor in a vertical (up) position. In this configuration, the output shaft(s) is horizontal. Each kit includes two brackets and the required mounting hardware.

CASE SIZE	KIT NO.	A	B	D	E	F (BOLT)
C150	6011826	200MM 7.87"	63MM 2.48"	90MM 3.54"	86.4MM 3.40"	8MM 5/16"
C200	6011833	250MM 9.84"	80MM 3.15"	100MM 3.94"	114.8MM 4.52"	10MM 3/8"
C262	6011840	315MM 12.40"	100MM 3.94"	125MM 4.92"	144MM 5.67"	10MM 3/8"
C350	6011857	400MM 15.75"	125MM 4.92"	160MM 6.30"	182.4MM 7.18"	12MM 1/2"



FEATURES/BENEFITS PAGE G5-2	SPECIFICATION PAGE G5-4	NOMENCLATURE PAGE G5-5	RENEWAL PARTS PAGE G5-45
--------------------------------	----------------------------	---------------------------	-----------------------------

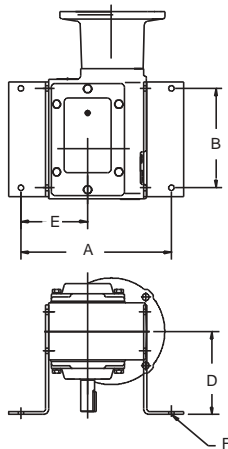


Combination TIGEAR HI-LOW BRACKET KITS

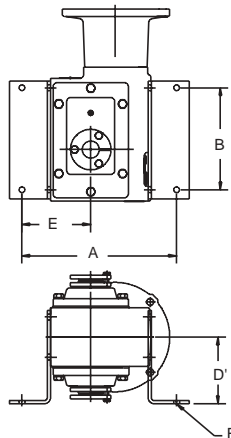
Hi-Low bracket kits allow the reducer to be "floor" mounted with the solid or hollow output shaft in a vertical (up) position. In this configuration, the motor is horizontal. Each kit includes two brackets and the required mounting hardware.

CASE SIZE	DESCRIPTION	KIT NUMBER	A	B	D	D'	D''	E	F(BOLT)
C150	"Hi" Mount Solid Shaft	6011864	200MM 7.87"	160MM 6.30"	140MM 5.51"	N/A	N/A	86.4MM 3.40"	8MM 5/16"
	"Hi" Mount Hollow Shaft	6011871			N/A	112MM 4.41"	N/A		
	"Low" Mount Hollow & Solid Shaft	6011888			N/A	N/A	90MM 3.54"		
C200	"Hi" Mount Solid Shaft	6011895	250MM 9.84"	180MM 7.09"	160MM 6.30"	N/A	N/A	114.8MM 4.52"	10MM 3/8"
	"Hi" Mount Hollow Shaft	6011901			N/A	125MM 4.92"	N/A		
	"Low" Mount Hollow & Solid Shaft	6011918			N/A	N/A	90MM 3.54"		
C262	"Hi" Mount Solid Shaft	6011925	315MM 12.40"	236MM 9.29"	200MM 7.87"	N/A	N/A	145MM 5.71"	10MM 3/8"
	"Hi" Mount Hollow Shaft	6011932			N/A	140MM 5.51"	N/A		
	"Low" Mount Hollow & Solid Shaft	6011949			N/A	N/A	112MM 4.41"		
C350	"Hi" Mount Solid Shaft	6011956	400MM 15.75"	300MM 11.81"	250MM 9.84"	N/A	N/A	182.4MM 7.18"	12MM 1/2"
	"Hi" Mount Hollow Shaft	6011963			N/A	180MM 7.09"	N/A		
	"Low" Mount Hollow & Solid Shaft	6011970			N/A	N/A	140MM 5.51"		

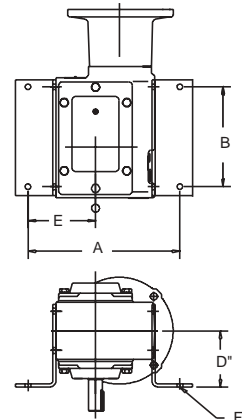
"Hi" Bracket - Solid Shaft



"Hi" Bracket - Hollow Shaft
(Straight & Tapered)



"Low" Bracket
Hollow & Solid Shaft



FEATURES/BENEFITS PAGE G5-2	SPECIFICATION PAGE G5-4	NOMENCLATURE PAGE G5-5	RENEWAL PARTS PAGE G5-45
--------------------------------	----------------------------	---------------------------	-----------------------------



Combination TIGEAR STRAIGHT BORE BUSHING KITS



Bushing kits are not included with reducers. They must be ordered separately by indicating the bore size or the kit number from the table. Each kit includes two bushings and the required mounting hardware.

Straight Bore Bushing Kits

REDUCER SIZE	BORE SIZE	KIT NUMBER	REDUCER SIZE	BORE SIZE	KIT NUMBER
C150	1	6011475	C262	1-5/8	6011543
	1-1/16	6011772		1-11/16	6011550
	1-1/8	6011758		1-3/4	6011567
	1-3/16	*		1-15/16	*
C200	1	6002602	C350	1-5/16	6011574
	1-1/16	6002619		1-3/8	6011581
	1-1/8	6002626		1-7/16	6011598
	1-3/16	6002633		1-1/2	6011604
	1-1/4	6002640		1-5/8	6011611
	1-5/16	6002657		1-11/16	6011628
	1-7/16	*		1-3/4	6011635
C262	1-3/16	6011482		1-7/8	6011642
	1-1/4	6011499		1-15/16	6011659
	1-5/16	6011505		2	6011666
	1-3/8	6011512		2 3/16	*
	1-7/16	6011529			
	1-1/2	6011536			

* Reducers are shipped from the factory as maximum bore. For other bore sizes, order the appropriate kit from the above chart.

FEATURES/BENEFITS PAGE G5-2	SPECIFICATION PAGE G5-4	NOMENCLATURE PAGE G5-5	RENEWAL PARTS PAGE G5-45
--------------------------------	----------------------------	---------------------------	-----------------------------



Combination TIGEAR TAPERED BUSHING KITS



Bushing kits are not included with reducers. They must be ordered separately by indicating the bore size or the kit number from the table. Each kit includes two bushings and the required mounting hardware. Optional Teflon Coated bushings are available for those applications requiring extra protection in corrosive and wet environments. For ease of ordering, refer to the table below.

TAPERED BUSHING KITS

REDUCER SIZE	BORE SIZE	KIT NUMBER	REDUCER SIZE	BORE SIZE	KIT NUMBER
C150	1	6011000	C262	1-11/16	6011031
	1-1/16	6011765		1-3/4	6011024
	1-1/8	6010997		1-15/16	6011017
	1-3/16	6011284		32 MM	6011352
	25 MM	6011291		35 MM	6011369
	30 MM	6011307		38 MM	6011376
C200	1	6002510		40 MM	6011383
	1-1/16	6002527		42 MM	6011390
	1-1/8	6002534		45 MM	6011406
	1-3/16	6002541	C350	1-5/16	6011222
	1-1/4	6002558		1-3/8	6011215
	1-5/16	6002565		1-7/16	6011208
	1-3/8	6002572		1-1/2	6011192
	1-7/16	6002589		1-5/8	6011185
	25 MM	6011314		1-11/16	6011178
	30 MM	6011321		1-3/4	6011161
	32 MM	6011338		1-7/8	6011154
	35 MM	6011345		1-15/16	6011147
1-1/8	6011116	2		6011130	
1-3/16	6011109	2-3/16		6011123	
1-1/4	6011093	38 MM		6011413	
1-5/16	6011086	40 MM	6011420		
1-3/8	6011079	42 MM	6011437		
1-7/16	6011062	45 MM	6011444		
1-1/2	6011055	50 MM	6011451		
1-5/8	6011048	55 MM	6011468		

TEFLON COATED TAPERED BUSHING KITS

REDUCER SIZE	BORE SIZE	KIT NUMBER	REDUCER SIZE	BORE SIZE	KIT NUMBER
C150	1	6031121	C262	1-11/16	6031381
	1-1/16	6031138		1-3/4	6031398
	1-1/8	6031145		1-15/16	6031404
	1-3/16	6031152		32 MM	6031411
	25 MM	6031169		35 MM	6031428
	30 MM	6031176		38 MM	6031435
C200	1	6031183		40 MM	6031442
	1-1/16	6031190		42 MM	6031459
	1-1/8	6031206		45 MM	6031466
	1-3/16	6031213	C350	1-5/16	6031473
	1-1/4	6031220		1-3/8	6031480
	1-5/16	6031237		1-7/16	6031497
	1-3/8	6031244		1-1/2	6031503
	1-7/16	6031251		1-5/8	6031510
	25 MM	6031268		1-11/16	6031527
	30 MM	6031275		1-3/4	6031534
	32 MM	6031282		1-7/8	---
	35 MM	6031299		1-15/16	6031541
1-1/8	6031305	2		6031558	
1-3/16	6031312	2-3/16		6031565	
1-1/4	6031329	38 MM		6031572	
1-5/16	6031336	40 MM	6031589		
1-3/8	6031343	42 MM	6031596		
1-7/16	6031350	45 MM	6031602		
1-1/2	6031367	50 MM	6031619		
1-5/8	6031374	55 MM	6031626		

FEATURES/BENEFITS PAGE G5-2	SPECIFICATION PAGE G5-4	NOMENCLATURE PAGE G5-5	RENEWAL PARTS PAGE G5-45
--------------------------------	----------------------------	---------------------------	-----------------------------

MODIFICATIONS/ ACCESSORIES



Combination TIGEAR PLUG-IN OUTPUT SHAFT KITS



Plug-In Output Shaft Kits are available to easily convert tapered bored Combination TIGEAR reducers to a solid shaft reducer. Output shafts are available in both standard CRS and stainless steel materials. *Kits include shaft and key.*

Standard CRS Material

Case Size	Kit Number	*U Dimensions
C150	6031725	1-3/16
C200	6031732	1-7/16
C262	6031749	1-15/16
C350	6031756	2-3/16

Stainless Steel Material

Case Size	Kit Number	*U Dimensions
C150	6031763	1-3/16
C200	6031770	1-7/16
C262	6031787	1-15/16
C350	6031794	2-3/16

* Maximum Bore Bushing

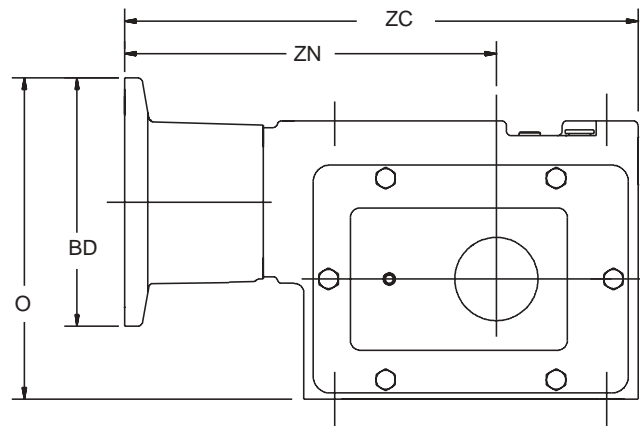
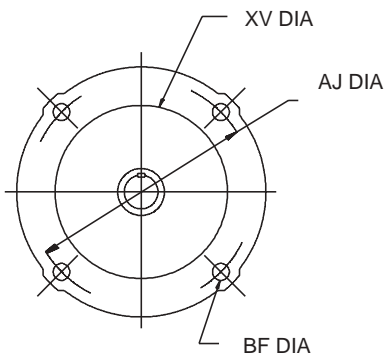
NOTE: Output shaft dimensions same as on solid output shaft reducers



Combination TIGEAR IEC METRIC MOTOR ADAPTERS

IEC Metric motor adapters are available with B5 flanges. To order reducer with metric motor adapter use same part number format found on selection pages and substitute the Nema frame size with a three position IEC frame size. Example: 071C200B030K1A. A flexible 3-piece coupling and motor mounting bolts are also included.

REDUCER SIZE	IEC FRAME
C150-C200	IEC71
C150-C200	IEC80
C150-C200	IEC90
C262-C350	IEC71
C262-C350	IEC80
C262-C350	IEC90
C262-C350	IEC100/112
C262-C350	IEC132



SIZE	FRAME	ZN	ZC	BD	O	AJ	BF	XV
C150	71	7.86	11.07	6.30	7.13	130 MM	M8 TAP	110 MM
	80	8.25	11.46	7.87	7.92	165 MM	11 MM HOLE	130 MM
	90	8.64	11.85	7.87	7.92	165 MM	11 MM HOLE	130 MM
C200	71	8.85	12.54	6.30	8.28	130 MM	M8 TAP	110 MM
	80	9.24	12.93	7.87	9.07	165 MM	11 MM HOLE	130 MM
	90	9.63	13.32	7.87	9.07	165 MM	11 MM HOLE	130 MM
C262	71	10.63	14.94	6.30	9.69	130 MM	M8 TAP	110 MM
	80	11.03	15.34	7.87	10.48	165 MM	11 MM HOLE	130 MM
	90	11.42	15.73	7.87	10.48	165 MM	11 MM HOLE	130 MM
	100/112	13.50	17.81	9.85	11.47	215 MM	14 MM HOLE	180 MM
C350	71	12.63	18.00	6.30	11.55	130 MM	M8 TAP	110 MM
	80	13.03	18.40	7.87	12.34	165 MM	11 MM HOLE	130 MM
	90	13.42	18.79	7.87	12.34	165 MM	11 MM HOLE	130 MM
	110/112	15.50	20.87	9.85	13.33	215 MM	14 MM HOLE	180 MM

FEATURES/BENEFITS PAGE G5-2	SPECIFICATION PAGE G5-4	NOMENCLATURE PAGE G5-5	RENEWAL PARTS PAGE G5-45
--------------------------------	----------------------------	---------------------------	-----------------------------

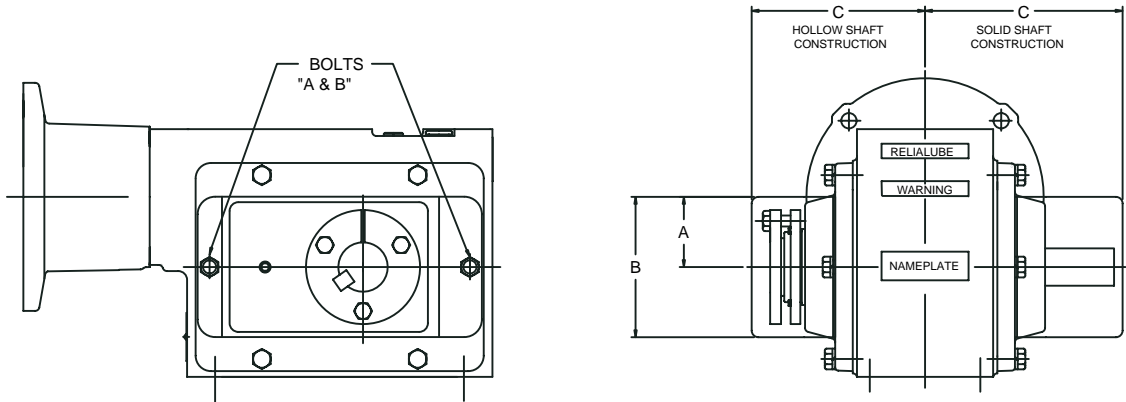
MODIFICATIONS/ ACCESSORIES



Combination TIGEAR STAINLESS STEEL SHAFT GUARDS

Shaft guards are available for both the solid and hollow shaft gear units and provide protection from the rotating solid output shaft and bushings on the hollow shaft reducers. They are installed by removing the two (2) existing bearing housing bolts (A & B) located on the horizontal centerline of the gearcase and placing the same (2) bolts through the shaft guard and reinstalling to the proper tightening torque. (Bolt torques are listed in Installation Manual)

One (1) piece guards and a two (2) piece guard are available depending on output shaft configuration. **Each kit contains one shaft guard.**



HOLLOW SHAFT CLOSED SHAFT GUARD KITS	
CASE SIZE	MODEL NO.
C150	6012052
C200	6012069
C262	6012076
C350	6012083

HOLLOW SHAFT			
CASE SIZE	A	B	C
C150	1.44	2.88	4.48
C200	2.00	4.00	4.94
C262	2.22	4.44	5.49
C350	2.37	4.75	6.58

HOLLOW SHAFT OPEN SHAFT GUARD KITS	
CASE SIZE	MODEL NO.
C150	6031046
C200	6031053
C262	6031060
C350	6031077

SOLID SHAFT CLOSED SHAFT GUARD KITS	
CASE SIZE	MODEL NO.
C150	6031633
C200	6031640
C262	6031657
C350	6031664

SOLID SHAFT			
CASE SIZE	A	B	C
C150	1.44	2.88	5.23
C200	2.00	4.00	5.94
C262	2.22	4.44	7.24
C350	2.37	4.75	9.83

FEATURES/BENEFITS PAGE G5-2	SPECIFICATION PAGE G5-4	NOMENCLATURE PAGE G5-5	RENEWAL PARTS PAGE G5-45
--------------------------------	----------------------------	---------------------------	-----------------------------