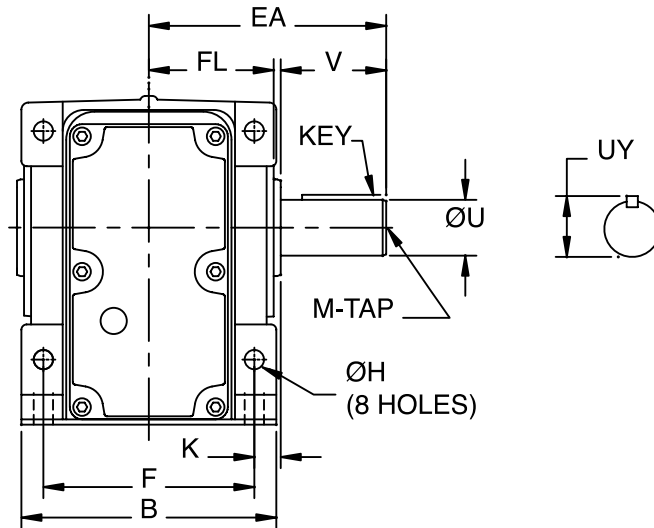
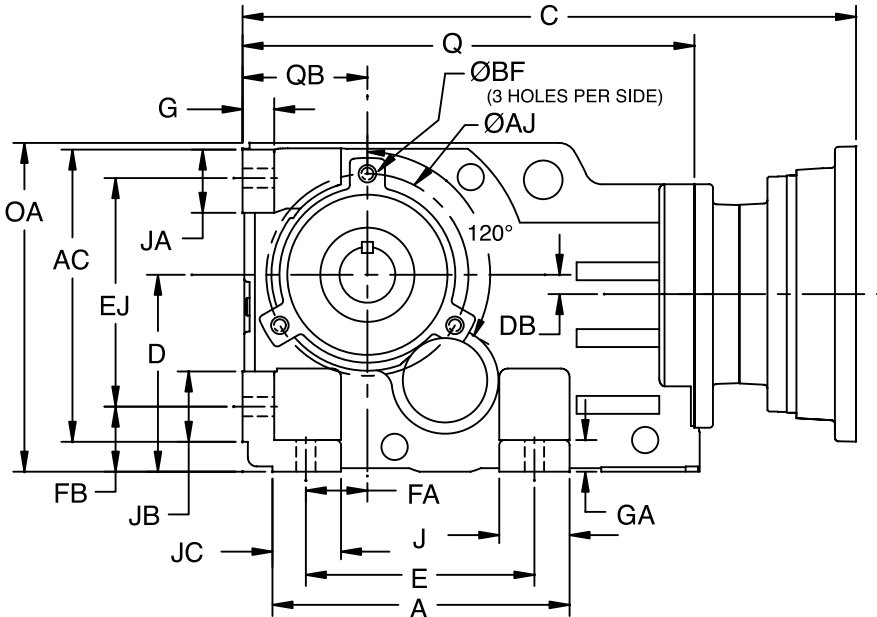


# DIMENSIONS



## RHB Foot Mounted, Clamp Collar C-Face Reducers Solid Output Shaft



FEATURES/BENEFITS  
PAGE G3-2

HOW TO ORDER  
PAGE G3-3

SELECTION  
PAGE G3-14

DIMENSIONS  
PAGE G3-16

# DIMENSIONS



## RHB Foot Mounted, Clamp Collar C-Face Reducers Solid Output Shaft

| Size  | Frame Size | A     | B     | C     | D     | E     | F     | G    | ØH   | J    | K    | Q     | V    | AC    | ØAJ * | ØBF             | DB   |
|-------|------------|-------|-------|-------|-------|-------|-------|------|------|------|------|-------|------|-------|-------|-----------------|------|
| BB38  | 56C        | 5.55  | 4.72  | 12.44 | 3.94  | 4.33  | 3.94  | 0.63 | 0.43 | 1.26 | 0.39 | 8.94  | 1.97 | 5.79  | 3.94  | M8 x .55 DEEP   | 0.37 |
|       | 140TC      |       |       | 13.11 |       |       |       |      |      |      |      |       |      |       |       |                 |      |
|       | 180TC      |       |       | 13.42 |       |       |       |      |      |      |      |       |      |       |       |                 |      |
| BB48  | 56C        | 6.65  | 5.71  | 13.62 | 4.41  | 5.12  | 4.72  | 0.71 | 0.43 | 1.58 | 0.59 | 10.12 | 2.36 | 6.54  | 4.53  | M10 x .66 DEEP  | 0.43 |
|       | 140TC      |       |       | 14.29 |       |       |       |      |      |      |      |       |      |       |       |                 |      |
|       | 180TC      |       |       | 14.61 |       |       |       |      |      |      |      |       |      |       |       |                 |      |
| BB68  | 56C        | 6.69  | 6.69  | 15.50 | 5.51  | 4.72  | 5.51  | 0.87 | 0.53 | 1.97 | 0.79 | 12.21 | 3.15 | 8.19  | 5.12  | M12 x .82 DEEP  | 0.26 |
|       | 140TC      |       |       | 16.17 |       |       |       |      |      |      |      |       |      |       |       |                 |      |
|       | 180TC      |       |       | 16.49 |       |       |       |      |      |      |      |       |      |       |       |                 |      |
| BB88  | 56C        | 8.07  | 7.87  | 17.79 | 7.09  | 5.91  | 6.50  | 0.98 | 0.71 | 2.17 | 0.89 | 14.72 | 3.94 | 10.31 | 6.50  | M12 x .82 DEEP  | 0.79 |
|       | 140TC      |       |       | 18.46 |       |       |       |      |      |      |      |       |      |       |       |                 |      |
|       | 180TC      |       |       | 18.78 |       |       |       |      |      |      |      |       |      |       |       |                 |      |
|       | 210TC      |       |       | 21.85 |       |       |       |      |      |      |      |       |      |       |       |                 |      |
| BB108 | 140TC      | 10.24 | 9.06  | 21.27 | 8.35  | 7.09  | 7.09  | 1.18 | 0.87 | 3.15 | 1.18 | 18.11 | 4.72 | 12.09 | 8.47  | M16 x 1.10 DEEP | 0.51 |
|       | 180TC      |       |       | 21.49 |       |       |       |      |      |      |      |       |      |       |       |                 |      |
|       | 210TC      |       |       | 24.52 |       |       |       |      |      |      |      |       |      |       |       |                 |      |
| BB128 | 140TC      | 12.60 | 11.42 | 23.63 | 10.43 | 9.45  | 9.45  | 1.38 | 1.02 | 3.15 | 1.18 | 20.91 | 5.51 | 15.09 | 10.43 | M16 x 1.10 DEEP | 0.79 |
|       | 180TC      |       |       | 23.82 |       |       |       |      |      |      |      |       |      |       |       |                 |      |
|       | 210TC      |       |       | 26.83 |       |       |       |      |      |      |      |       |      |       |       |                 |      |
| BB148 | 180TC      | 15.20 | 13.39 | 27.05 | 12.40 | 11.02 | 10.63 | 1.58 | 1.30 | 4.17 | 1.58 | 24.49 | 6.69 | 17.67 | 11.81 | M20 x 1.33 DEEP | 1.46 |
|       | 210TC      |       |       | 30.02 |       |       |       |      |      |      |      |       |      |       |       |                 |      |
| BB168 | 210TC      | 18.11 | 15.75 | 33.70 | 14.76 | 13.78 | 12.99 | 1.77 | 1.54 | 4.33 | 1.58 | 28.47 | 8.27 | 20.87 | 13.78 | M20 x 1.33 DEEP | 1.97 |

| Size  | EA    | EJ    | FA   | FB   | FL   | GA   | JA   | JB   | JC   | OA    | QB   | ØU    | UY   | KEY                 | M-TAP             |
|-------|-------|-------|------|------|------|------|------|------|------|-------|------|-------|------|---------------------|-------------------|
| BB38  | 4.33  | 4.53  | 1.10 | 1.26 | 2.28 | 0.63 | 1.22 | 1.30 | 1.38 | 6.58  | 2.48 | 1.000 | 1.11 | 1/4 x 1/4 x 1-5/8   | 3/8-16 UNC x 0.87 |
| BB48  | 5.31  | 5.12  | 1.38 | 1.46 | 2.80 | 0.71 | 1.42 | 1.58 | 1.54 | 7.36  | 2.80 | 1.250 | 1.37 | 1/4 x 1/4 x 1-7/8   | 3/8-16 UNC x 0.87 |
| BB68  | 6.69  | 6.30  | 1.18 | 1.77 | 3.39 | 0.87 | 1.89 | 1.97 | 1.97 | 9.09  | 3.54 | 1.625 | 1.80 | 3/8 x 3/8 x 2-5/8   | 5/8-11 UNC x 1.42 |
| BB88  | 8.07  | 7.87  | 1.58 | 2.17 | 3.94 | 0.98 | 2.56 | 2.17 | 2.17 | 11.61 | 4.41 | 2.000 | 2.22 | 1/2 x 1/2 x 3-1/4   | 5/8-11 UNC x 1.42 |
| BB108 | 9.45  | 9.17  | 2.17 | 2.76 | 4.53 | 1.18 | 2.91 | 2.76 | 2.76 | 13.58 | 5.20 | 2.375 | 2.65 | 5/8 x 5/8 x 3-11/16 | 3/4-10 UNC x 1.65 |
| BB128 | 11.42 | 11.61 | 2.95 | 2.95 | 5.71 | 1.38 | 3.54 | 3.15 | 3.15 | 16.65 | 6.30 | 2.875 | 3.21 | 3/4 x 3/4 x 4       | 3/4-10 UNC x 1.65 |
| BB148 | 13.58 | 14.17 | 3.74 | 3.74 | 6.65 | 1.58 | 3.50 | 3.54 | 3.54 | 19.80 | 7.87 | 3.625 | 4.01 | 7/8 x 7/8 x 5-1/4   | 1-8 UNC x 1.97    |
| BB168 | 16.34 | 16.54 | 4.53 | 4.33 | 7.84 | 1.77 | 4.33 | 4.33 | 4.33 | 23.62 | 8.86 | 4.375 | 4.82 | 1 x 1 x 6-5/8       | 1-8 UNC x 1.97    |

\* Sizes BB148 and BB168 have 4 holes per side and are located at 90 degrees.

|                                |                           |                         |                          |
|--------------------------------|---------------------------|-------------------------|--------------------------|
| FEATURES/BENEFITS<br>PAGE G3-2 | HOW TO ORDER<br>PAGE G3-3 | SELECTION<br>PAGE G3-14 | DIMENSIONS<br>PAGE G3-16 |
|--------------------------------|---------------------------|-------------------------|--------------------------|