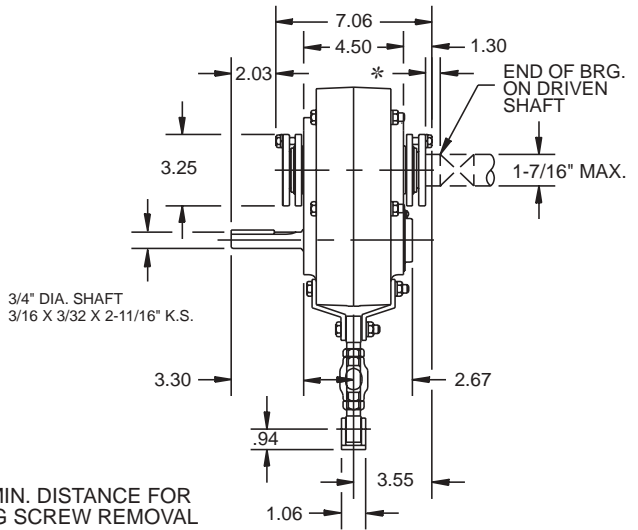
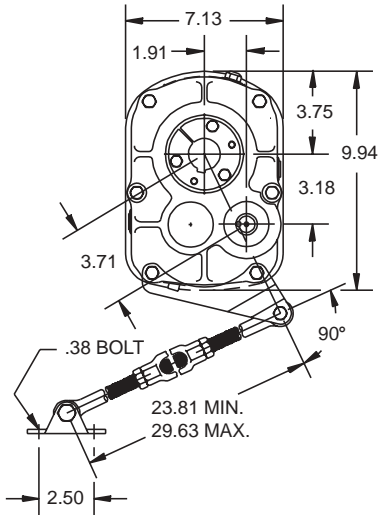


SELECTION/DIMENSIONS

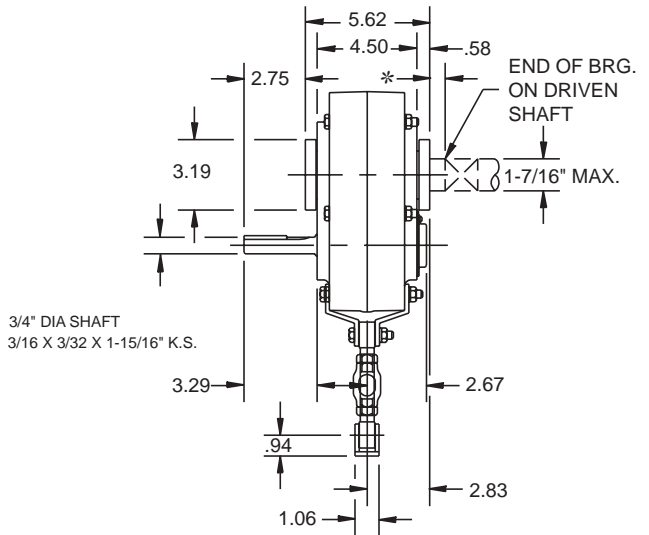
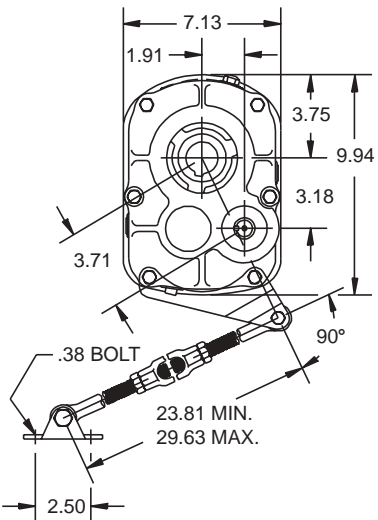


TORQUE-ARM Shaft Mount Speed Reducers TXT1 - DOUBLE REDUCTION TAPER BUSHED



* 1.25" MIN. DISTANCE FOR BUSHING SCREW REMOVAL

TXT1 - DOUBLE REDUCTION STRAIGHT BORE



FEATURES/BENEFITS PAGE G2-3	NOMENCLATURE PAGE G2-11	SELECTION PAGE G2-13	RELATED PRODUCTS PAGE G2-152
--------------------------------	----------------------------	-------------------------	---------------------------------

SELECTION/DIMENSIONS



TORQUE-ARM Shaft Mount Speed Reducers

TXT1 Taper Bushed Reducers ■ ○

Reducer Size	Part Number	AGMA Code	Actual Ratio	Weight
TXT109T	241092	107D09	9.44	45
TXT115T	241065	107D15	15.35	45
TXT125T	241066	107D25	25.64	45

TXT1 Straight Bore Reducers ■ ○

Reducer Size	Part Number	AGMA Code	Actual Ratio	Weight
TXT109S	241327 ♣	107D09	9.44	45
TXT115S	241073	107D15	15.35	45
TXT125S	241074	107D25	25.64	45

TXT1 Bushing Assemblies ●

Stock Bore Size	Part Number		Shaft Keyseat Required †			Weight	
	Tapered Bushing	Straight Bore Bushing	Tapered Bushing	Straight Bore Bushing	Tapered Bushing	Straight Bore Bushing	
1-7/16 (Max.)	241292	◆	3/8x3x16x6-7/16	3/8x3/16x2	2		
1-3/8	241294	-	5/16 x 5/32 x 6-7/16	-	1.8	-	
1-5/16 ▲	241290	241347	5/16 x 5/32 x 6-7/16	5/16 x 5/32 x 2	1.8	.4	
1-1/4 ▲	241288	241346	1/4 x 1/8 x 6-7/16	1/4 x 1/8 x 2	2.0	.6	
1-3/16 ▲	241286	241345	1/4 x 1/8 x 6-7/16	1/4 x 1/8 x 2	2.2	.6	
1-1/8 ▲	241282	241344	1/4 x 1/8 x 6-7/16	1/4 x 1/8 x 1-3/4	2.2	.6	
1 ▲	241278	241342	1/4 x 1/8 x 6-7/16	1/4 x 1/8 x 1-3/4	2.5	1	

♣ Made to order.

† Shaft key furnished.

▲ Check the driven shaft and key for strength.

◆ Preferred bore. No bushing required for this bore size.

○ Stock TXT1 Reducers are drilled for vertical mounting.

■ See page G2-201 for reducer part numbers and drill and tap dimensions. for Flange Mount TXT Reducers. Now available only as special factory order.

● Taper Bushed Reducers require bushing for all bore sizes.

♥ Use with Taper Bushed Reducer only. See page G2-203 for drill and tap information required to mount to reducer.

TXT1 Accessories

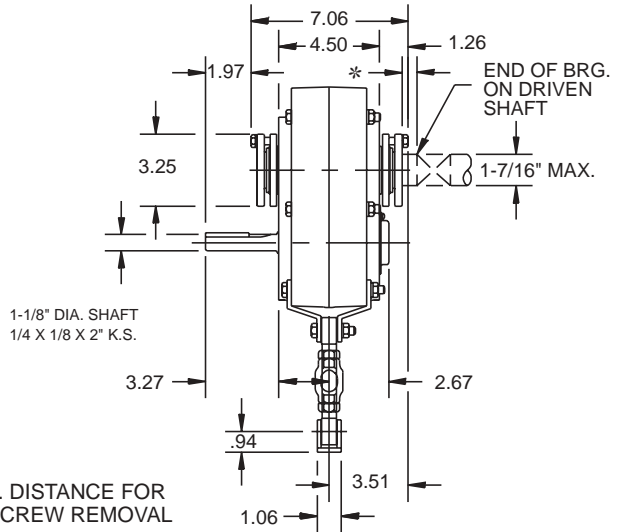
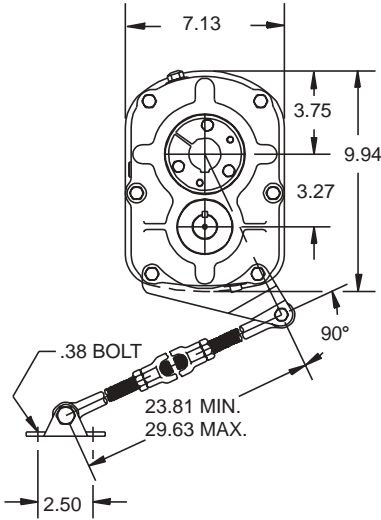
Description	Part Number	Weight
TA1M Standard Motor Mount (56T-215T)	241391	37.3
TAB1 Bottom Motor Mount (56T-215T)	241421	34
TXT1 Backstop Assembly	242101	.8
Optional Filter Breather (3/8-18 NPT)	430048	.2
TXT1-D TA Reducer Belt Guard (56T-215T)	241395	30
TXT1 Taconite Auxiliary Seal Kit ♥	272515	4.40

FEATURES/BENEFITS PAGE G2-3	NOMENCLATURE PAGE G2-11	SELECTION PAGE G2-13	RELATED PRODUCTS PAGE G2-152
--------------------------------	----------------------------	-------------------------	---------------------------------

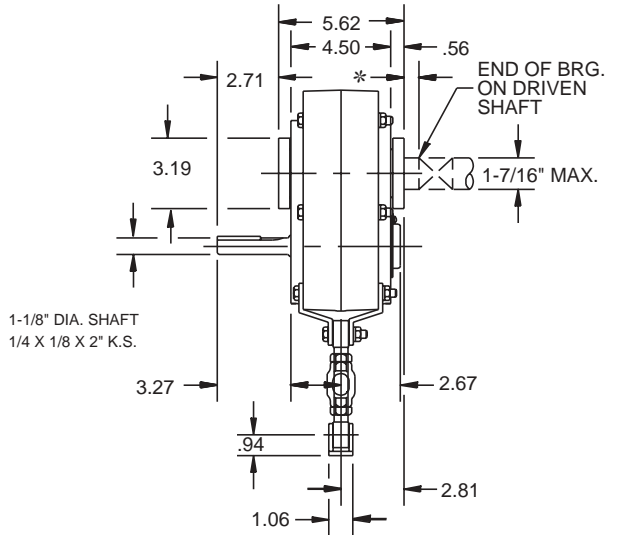
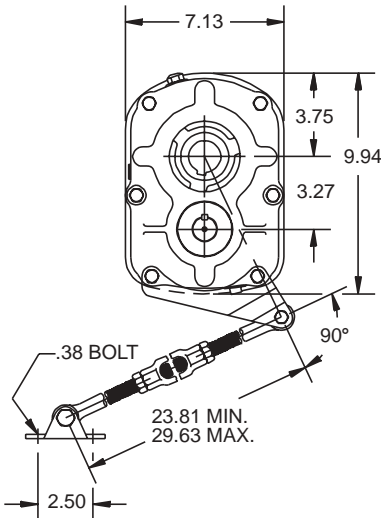
SELECTION/DIMENSIONS



TORQUE-ARM Shaft Mount Speed Reducers TXT105 - SINGLE REDUCTION TAPER BUSHED



TXT105 - SINGLE REDUCTION STRAIGHT BORE



FEATURES/BENEFITS PAGE G2-3	NOMENCLATURE PAGE G2-11	SELECTION PAGE G2-13	RELATED PRODUCTS PAGE G2-152
--------------------------------	----------------------------	-------------------------	---------------------------------

SELECTION/DIMENSIONS



TORQUE-ARM Shaft Mount Speed Reducers

TXT105 Taper Bushed Reducers ■ ○

Reducer Size	Part Number	AGMA Code	Actual Ratio	Weight
TXT105T	241083	107S05	5.62	40

TXT105 Straight Bore Reducers ■ ○

Reducer Size	Part Number	AGMA Code	Actual Ratio	Weight
TXT105S	241087	107S05	5.62	40

TXT105 Accessories

Description	Part Number	Weight
TA1M Standard Motor Mount (56T-215T)	241391	37.3
TAB1 Bottom Motor Mount (56T-215T) †	241421	34
TXT105 Backstop Assembly	242101	.8
Optional Filter Breather (3/8-18 NPT)	430048	.2
TXT1-S TA Reducer Belt Guard (56T-215T)	241397	30
TXT105 Taconite Auxiliary Seal Kit ♥	272521	5

TXT1 Bushing Assemblies ●

Stock Bore Size	Part Number		Shaft Keyseat Required †		Weight	
	Tapered Bushing	Straight Bore Bushing	Tapered Bushing	Straight Bore Bushing	Tapered Bushing	Straight Bore Bushing
1-7/16 (Max.)	241292	◆	3/8 x 3/16 x 6-7/16	3/8 x 3/16 x 2	2	-
1-3/8	241294	-	5/16 x 5/32 x 6-7/16	-	1.8	-
1-5/16 ▲	241290	241347	5/16 x 5/32 x 6-7/16	5/16 x 5/32 x 2	1.8	.4
1-1/4 ▲	241288	241346	1/4 x 1/8 x 6-7/16	1/4 x 1/8 x 2	2	.6
1-3/16 ▲	241286	241345	1/4 x 1/8 x 6-7/16	1/4 x 1/8 x 2	2.2	.6
1-1/8 ▲	241282	241344	1/4 x 1/8 x 6-7/16	1/4 x 1/8 x 1-3/4	2.2	.6
1 ▲	241278	241342	1/4 x 1/8 x 6-7/16	1/4 x 1/8 x 1-3/4	2.5	1

† DODGE standard belt guards will not fit this motor mount.

† Shaft key furnished.

▲ Check the driven shaft and key for strength.

◆ Preferred bore. No bushing required for this bore size.

○ Stock TXT105 Reducers are drilled for vertical mounting.

■ See page G2-201 for reducer part numbers and drill and tap dimensions.

for Flange Mount TXT Reducers. Now available only as special factory order.

● Taper Bushed Reducers require bushing for all bore sizes.

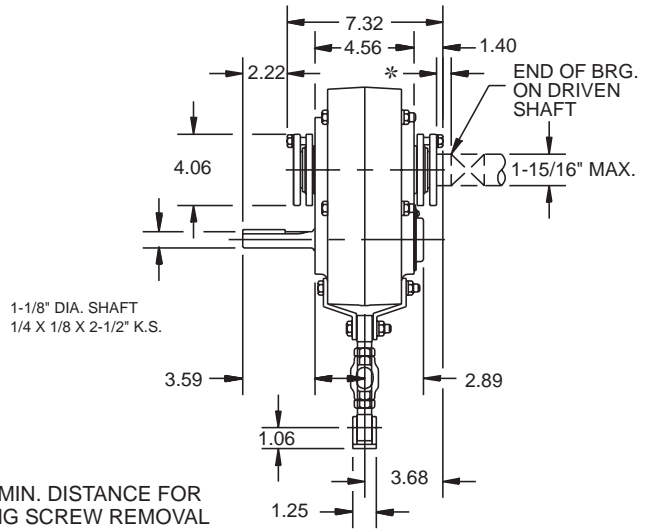
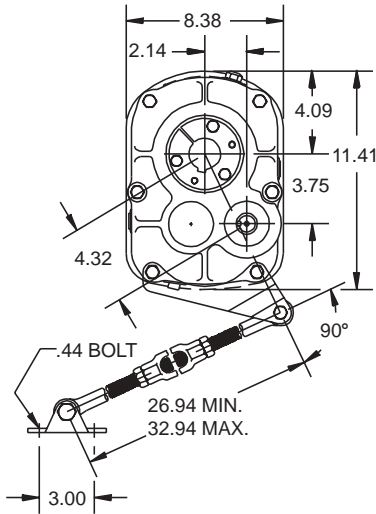
♥ Use with Taper Bushed Reducer only. See page G2-203 for drill and tap information required to mount to reducer.

FEATURES/BENEFITS PAGE G2-3	NOMENCLATURE PAGE G2-11	SELECTION PAGE G2-13	RELATED PRODUCTS PAGE G2-152
--------------------------------	----------------------------	-------------------------	---------------------------------

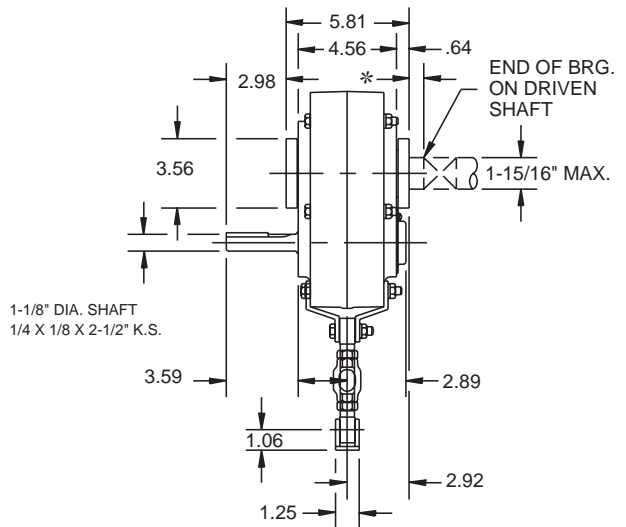
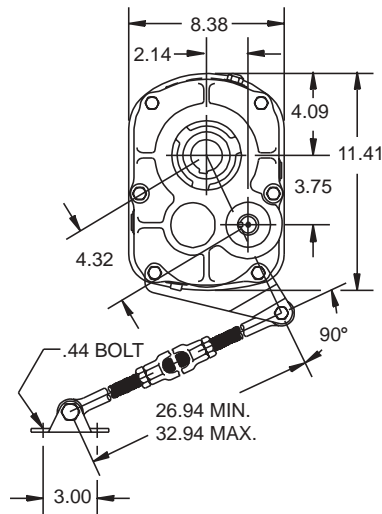


SELECTION/DIMENSIONS

TORQUE-ARM Shaft Mount Speed Reducers TXT2 - DOUBLE REDUCTION TAPER BUSHED



TXT2 - DOUBLE REDUCTION STRAIGHT BORE



FEATURES/BENEFITS PAGE G2-3	NOMENCLATURE PAGE G2-11	SELECTION PAGE G2-13	RELATED PRODUCTS PAGE G2-152
--------------------------------	----------------------------	-------------------------	---------------------------------

SELECTION/DIMENSIONS



TORQUE-ARM Shaft Mount Speed Reducers

TXT2 Taper Bushed Reducers ■ ○

Reducer Size	Part Number	AGMA Code	Actual Ratio	Weight
TXT209T	242079	115D09	9.25	58
TXT215T	242082	115D15	14.10	58
TXT225T	242083	115D25	23.46	58

TXT2 Straight Bore Reducers ■ ○

Reducer Size	Part Number	AGMA Code	Actual Ratio	Weight
TXT209S	242327 ♣	115D09	9.25	58
TXT215S	242090	115D15	14.10	58
TXT225S	242091	115D25	23.46	58

TXT2 Accessories

Description	Part Number	Weight
TA1M Standard Motor Mount (56T-215T)	241391	37.3
TAB2 Bottom Motor Mount (56T-215T) ♣	242421	34
TXT2 Backstop Assembly	252101	1
Optional Filter Breather (3/8-18 NPT)	430048	.2
TXT2-D TA Reducer Belt Guard (56T-215T)	242395	36
TXT2 Taconite Auxiliary Seal Kit ♥	272446	5.5

TXT2 Bushing Assemblies ●

Stock Bore Size	Part Number		Shaft Keyseat Required †		Weight	
	Tapered Bushing	Straight Bore Bushing	Tapered Bushing	Straight Bore Bushing	Tapered Bushing	Straight Bore Bushing
1-15/16 (Max.)	242168	◆	1/2 x 1/4 x 6-11/16	1/2 x 1/4 x 2-1/2	2.9	-
1-3/4	242166	242351	3/8 x 3/16 x 6-11/16	3/8 x 3/16 x 2-7/8	3.3	.8
1-11/16	242164	242350	3/8 x 3/16 x 6-11/16	3/8 x 3/16 x 2-7/8	3.4	1.1
1-5/8 ▲	242162	242349	3/8 x 3/16 x 6-11/16	3/8 x 3/16 x 2-7/8	3.2	1.2
1-1/2 ▲	242158	242348	3/8 x 3/16 x 6-11/16	3/8 x 3/16 x 2-1/2	3.8	1.5
1-7/16 ▲	242156	242347	3/8 x 3/16 x 6-11/16	3/8 x 3/16 x 2-1/2	4	1.7
1-3/8 ▲	242154	242346	5/16 x 5/32 x 6-11/16	5/16 x 5/32 x 2	3.6	1.8
1-5/16 ▲	242152	242345	5/16 x 5/32 x 6-11/16	5/16 x 5/32 x 2	3.6	1.8
1-1/4 ▲	242150	242344	1/4 x 1/8 x 6-11/16	1/4 x 1/8 x 2	3.6	2.1
1-3/16 ▲	242148	242343	1/4 x 1/8 x 6-11/16	1/4 x 1/8 x 2	3.6	2.2
1-1/8 ▲	242146	-	1/4 x 1/8 x 6-11/16	-	3.8	-

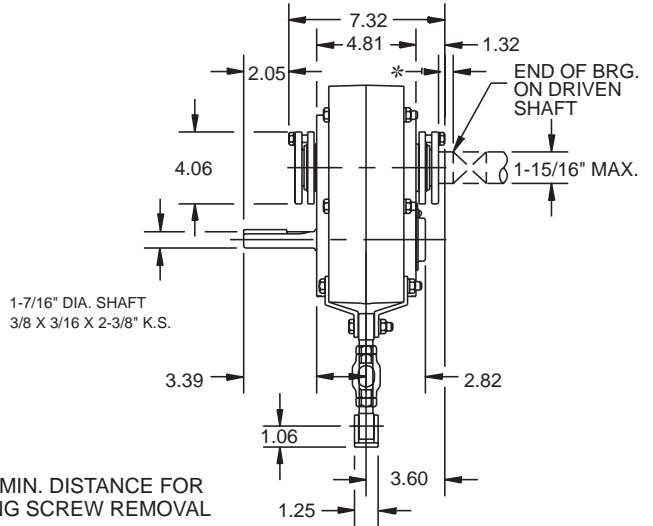
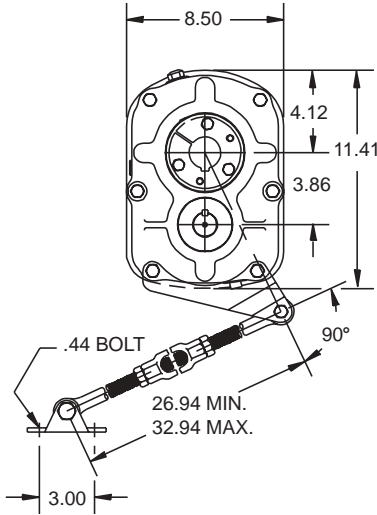
- ♣ DODGE standard belt guards will not fit this motor mount.
- † Shaft key furnished.
- ▲ Check the driven shaft and key for strength.
- ◆ Preferred bore. No bushing required for this bore size.
- Stock TXT2 Reducers are drilled for vertical mounting.
- ♣ Made to order.
- See page G2-201 for reducer part numbers and drill and tap dimensions. for Flange Mount TXT Reducers. Now available only as special factory order.
- Taper Bushed Reducers require bushing for all bore sizes.
- ♥ Use with Taper Bushed Reducder only. See page G2-203 for drill and tap information required to mount to reducer.

FEATURES/BENEFITS PAGE G2-3	NOMENCLATURE PAGE G2-11	SELECTION PAGE G2-13	RELATED PRODUCTS PAGE G2-152
--------------------------------	----------------------------	-------------------------	---------------------------------



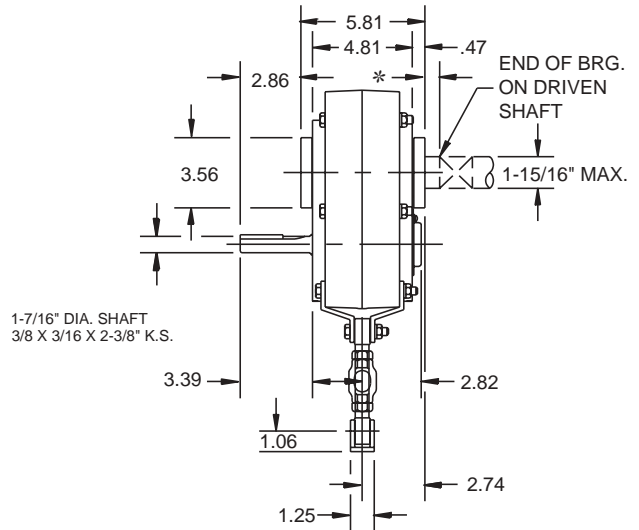
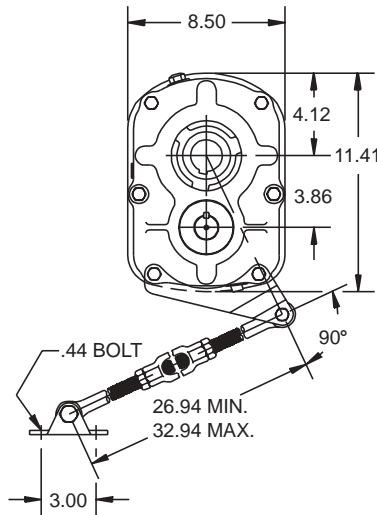
SELECTION/DIMENSIONS

TORQUE-ARM Shaft Mount Speed Reducers TXT205 - SINGLE REDUCTION TAPER BUSHED



* 1.25" MIN. DISTANCE FOR BUSHING SCREW REMOVAL

TXT205 - SINGLE REDUCTION STRAIGHT BORE



FEATURES/BENEFITS PAGE G2-3	NOMENCLATURE PAGE G2-11	SELECTION PAGE G2-13	RELATED PRODUCTS PAGE G2-152
--------------------------------	----------------------------	-------------------------	---------------------------------

SELECTION/DIMENSIONS



TORQUE-ARM Shaft Mount Speed Reducers

TXT205 Taper Bushed Reducers ■ ○

Reducer Size	Part Number	AGMA Code	Actual Ratio	Weight
TXT205T	242249	115S05	5.29	52

TXT205 Straight Bore Reducers ■ ○

Reducer Size	Part Number	AGMA Code	Actual Ratio	Weight
TXT205S	242253	115S05	5.29	52

TXT205 Accessories

Description	Part Number	Weight
TA1M Standard Motor Mount (56T-215T)	241391	37.3
TAB2 Bottom Motor Mount (56T-215T) †	242421	34
TXT205 Backstop Assembly	252101	1
Optional Filter Breather (3/8-18 NPT)	430048	0.2
TXT2-S TA Reducer Belt Guard (56T-215T)	242397	36
TXT205 Taconite Auxiliary Seal Kit ♥	272459	5.8

TXT2 Bushing Assemblies ●

Stock Bore Size		Part Number		Shaft Keyseat Required †		Weight	
		Tapered Bushing	Straight Bore Bushing	Tapered Bushing	Straight Bore Bushing	Tapered Bushing	Straight Bore Bushing
1-15/16	(Max.)	242168	◆	1/2 x 1/4 x 6-11/16	1/2 x 1/4 x 2-1/2	2.9	-
1-3/4		242166	242351	3/8 x 3/16 x 6-11/16	3/8 x 3/16 x 2-7/8	3.3	.8
1-11/16		242164	242350	3/8 x 3/16 x 6-11/16	3/8 x 3/16 x 2-7/8	3.4	1.1
1-5/8	▲	242162	242349	3/8 x 3/16 x 6-11/16	3/8 x 3/16 x 2-7/8	3.2	1.2
1-1/2	▲	242158	242348	3/8 x 3/16 x 6-11/16	3/8 x 3/16 x 2-1/2	3.8	1.5
1-7/16	▲	242156	242347	3/8 x 3/16 x 6-11/16	3/8 x 3/16 x 2-1/2	4	1.7
1-3/8	▲	242154	242346	5/16 x 5/32 x 6-11/16	5/16 x 5/32 x 2	3.6	1.8
1-5/16	▲	242152	242345	5/16 x 5/32 x 6-11/16	5/16 x 5/32 x 2	3.6	1.8
1-1/4	▲	242150	242344	1/4 x 1/8 x 6-11/16	1/4 x 1/8 x 2	3.6	2.1
1-3/16	▲	242148	242343	1/4 x 1/8 x 6-11/16	1/4 x 1/8 x 2	3.6	2.2
1-1/8	▲	242146	-	1/4 x 1/8 x 6-11/16	-	3.8	-

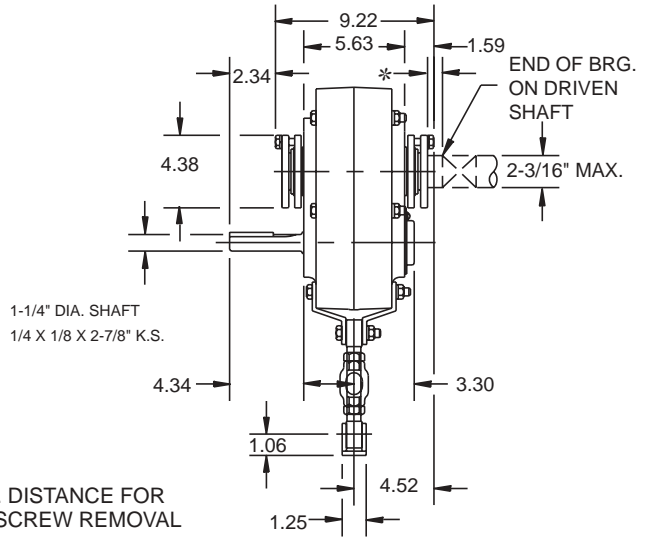
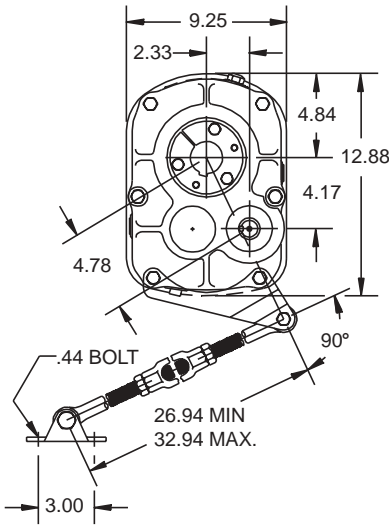
- ◆ DODGE standard belt guards will not fit this motor mount.
- † Shaft key furnished.
- ▲ Check the driven shaft and key for strength.
- ◆ Preferred bore. No bushing required for this bore size.
- Stock TXT205 Reducers are drilled for vertical mounting.
- ♣ Made to order.
- See page G2-201 for reducer part numbers and drill and tap dimensions. for Flange Mount TXT Reducers. Now available only as special factory order.
- Taper Bushed Reducers require bushing for all bore sizes.
- ♥ Use with Taper Bushed Reducder only. See page G2-203 for drill and tap information required to mount to reducer.

FEATURES/BENEFITS PAGE G2-3	NOMENCLATURE PAGE G2-11	SELECTION PAGE G2-13	RELATED PRODUCTS PAGE G2-152
--------------------------------	----------------------------	-------------------------	---------------------------------



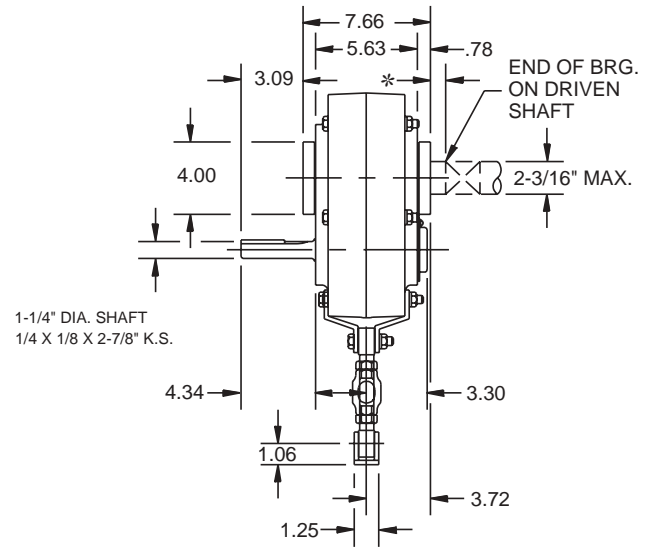
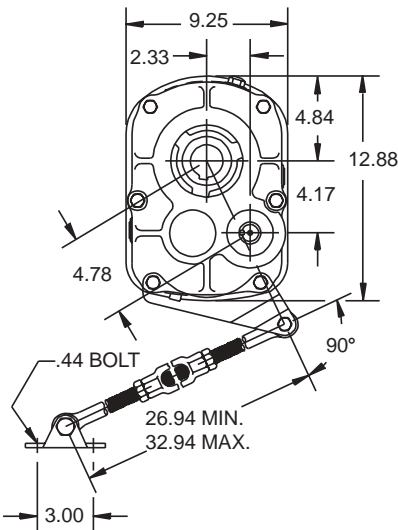
SELECTION/DIMENSIONS

TORQUE-ARM Shaft Mount Speed Reducers TXT3A -DOUBLE REDUCTION TAPER BUSHED



* 1.5" MIN. DISTANCE FOR BUSHING SCREW REMOVAL

TXT3A - DOUBLE REDUCTION STRAIGHT BORE



FEATURES/BENEFITS PAGE G2-3	NOMENCLATURE PAGE G2-11	SELECTION PAGE G2-13	RELATED PRODUCTS PAGE G2-152
--------------------------------	----------------------------	-------------------------	---------------------------------

SELECTION/DIMENSIONS



TORQUE-ARM Shaft Mount Speed Reducers

TXT3A Taper Bushed Reducers ■ ○

Reducer Size	Part Number	AGMA Code	Actual Ratio	Weight
TXT309AT	243500	203D09	8.91	98
TXT315AT	243501	203D15	14.88	98
TXT325AT	243502	203D25	24.71	98

TXT3A Straight Bore Reducers ■ ○

Reducer Size	Part Number	AGMA Code	Actual Ratio	Weight
TXT309AS	243512 ♣	203D09	8.91	98
TXT315AS	243513	203D15	14.88	98
TXT325AS	243514	203D25	24.71	98

TXT3A Accessories

Description	Part Number	Weight
TA3M Standard Motor Mount (56T-215T)	243391	38
TA3M Special Motor Mount (254T-256T) ♠	243393	45
TA3ML Long Motor Mount (143T-215T)	243392	42
TAB3 Bottom Motor Mount (143T-286T) ♠	243404	54
TXT3A Backstop Assembly	243106	.6
Optional Filter Breather (3/8-18 NPT)	430048	.2
TXT3-D TA Reducer Belt Guard (56T-215T)	243387	43
TXT3-D TA Reducer Belt Guard for Long Motor Mount (56T-215T) ♣	243153	52
TXT3A Cooling Fan Assembly	243581	3
TXT3A Taconite Auxiliary Seal Kit ♥	243577	7.3

TXT3 Bushing Assemblies ●

Stock Bore Size	Part Number		Shaft Keyseat Required †		Weight	
	Tapered Bushing	Straight Bore Bushing	Tapered Bushing	Straight Bore Bushing	Tapered Bushing	Straight Bore Bushing
2-3/16 (Max.)	243276	◆	1/2 x 1/4 x 8-1/16	1/2 x 1/4 x 3-5/8	3.7	-
2	243274	243429	1/2 x 1/4 x 8-1/16	1/2 x 1/4 x 3-5/8	4.1	1
1-15/16	243272	243428	1/2 x 1/4 x 8-1/16	1/2 x 1/4 x 3-5/8	4.4	1.2
1-7/8 ▲	243270	243427	1/2 x 1/4 x 8-1/16	1/2 x 1/4 x 3-5/8	4.3	1.9
1-3/4 ▲	243266	243426	3/8 x 3/16 x 8-1/16	3/8 x 3/16 x 3-1/4	4.8	1.9
1-11/16 ▲	243268	243425	3/8 x 3/16 x 8-1/16	3/8 x 3/16 x 3-1/4	4.8	2.2
1-5/8 ▲	243264	243424	3/8 x 3/16 x 8-1/16	3/8 x 3/16 x 2-1/4	4.8	2.3
1-1/2 ▲	243262	243423	3/8 x 3/16 x 8-1/16	3/8 x 3/16 x 2-1/4	5.4	2.5
1-7/16 ▲	243260	243422	3/8 x 3/16 x 8-1/16	3/8 x 3/16 x 2-1/4	5.6	2.7
1-3/8 ▲	243284	243421	5/16 x 5/32 x 8-1/16	5/16 x 5/32 x 2-1/4	5.8	3.2
1-5/16 ▲	243282	243420	5/16 x 5/32 x 8-1/16	5/16 x 5/32 x 2-1/4	5.8	3.8

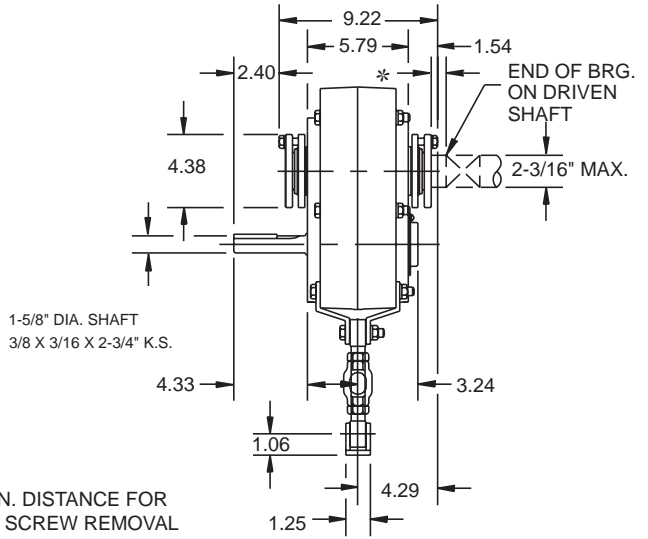
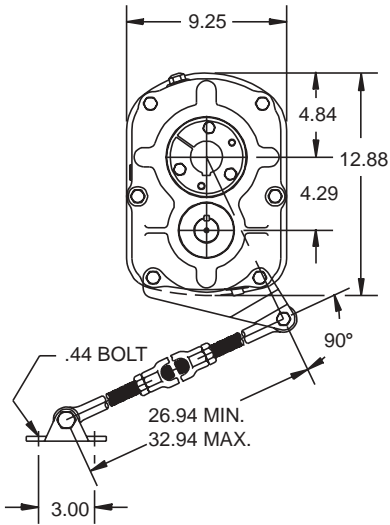
- ♠ DODGE standard belt guards will not fit this motor mount. ■ See page G2-201 for reducer part numbers and drill and tap dimensions.
- † Shaft key furnished. for Flange Mount TXT Reducers. Now available only as special factory order.
- ▲ Check the driven shaft and key for strength.
- ◆ Preferred bore. No bushing required for this bore size.
- Taper Bushed Reducers require bushing for all bore sizes.
- Stock TXT3 Reducers are drilled for vertical mounting.
- ♥ Use with Taper Bushed Reducder only. See page G2-203 for drill and tap information required to mount to reducer.
- ♣ Made to order.

FEATURES/BENEFITS PAGE G2-3	NOMENCLATURE PAGE G2-11	SELECTION PAGE G2-13	RELATED PRODUCTS PAGE G2-152
--------------------------------	----------------------------	-------------------------	---------------------------------

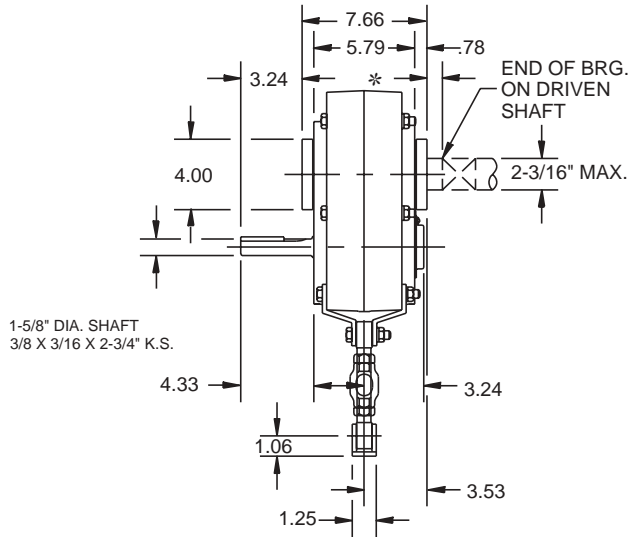
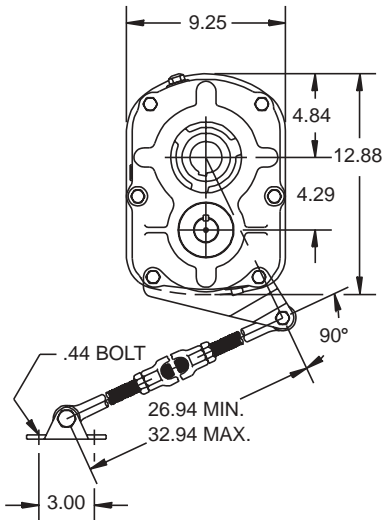


SELECTION/DIMENSIONS

TORQUE-ARM Shaft Mount Speed Reducers TXT305A - SINGLE REDUCTION TAPER BUSHED



TXT305A - SINGLE REDUCTION STRAIGHT BORE



FEATURES/BENEFITS PAGE G2-3	NOMENCLATURE PAGE G2-11	SELECTION PAGE G2-13	RELATED PRODUCTS PAGE G2-152
--------------------------------	----------------------------	-------------------------	---------------------------------

SELECTION/DIMENSIONS



TORQUE-ARM Shaft Mount Speed Reducers

TXT305A Taper Bushed Reducers ■ ○

Reducer Size	Part Number	AGMA Code	Actual Ratio	Weight
TXT305AT	253151	203S05	5.60	86

TXT305A Straight Bore Reducers ■ ○

Reducer Size	Part Number	AGMA Code	Actual Ratio	Weight
TXT305AS	253155	203S05	5.60	86

TXT305A Accessories

Description	Part Number	Weight
TA3M Standard Motor Mount (56T-215T)	243391	38
TA3M Special Motor Mount (254T-256T) †	243393	45
TA3ML Long Motor Mount (143T-215T)	243392	42
TAB3 Bottom Motor Mount (143T-286T) †	243404	54
TXT305A Backstop Assembly	252101	1
Optional Filter Breather (3/8-18 NPT)	430048	.2
TXT3-S TA Reducer Belt Guard (56T-215T)	243389	43
TXT3-S TA Reducer Belt Guard for Long Motor Mount (56T-215T) †	243164	55
TXT305A Cooling Fan Assembly	253188	3
TXT305A Taconite Auxilliary Seal Kit ♥	253186	7.6

TXT3 Bushing Assemblies ●

Stock Bore Size	Part Number		Shaft Keyseat Required †		Weight	
	Tapered Bushing	Straight Bore Bushing	Tapered Bushing	Straight Bore Bushing	Tapered Bushing	Straight Bore Bushing
2-3/16 (Max.)	243276	◆	1/2 x 1/4 x 8-1/16	1/2 x 1/4 x 3-5/8	3.7	-
2	243274	243429	1/2 x 1/4 x 8-1/16	1/2 x 1/4 x 3-5/8	4.1	1
1-15/16	243272	243428	1/2 x 1/4 x 8-1/16	1/2 x 1/4 x 3-5/8	4.4	1.2
1-7/8 ▲	243270	243427	1/2 x 1/4 x 8-1/16	1/2 x 1/4 x 3-5/8	4.3	1.9
1-3/4 ▲	243266	243426	3/8 x 3/16 x 8-1/16	3/8 x 3/16 x 3-1/4	4.8	1.9
1-11/16 ▲	243268	243425	3/8 x 3/16 x 8-1/16	3/8 x 3/16 x 3-1/4	4.8	2.2
1-5/8 ▲	243264	243424	3/8 x 3/16 x 8-1/16	3/8 x 3/16 x 2-1/4	4.8	2.3
1-1/2 ▲	243262	243423	3/8 x 3/16 x 8-1/16	3/8 x 3/16 x 2-1/4	5.4	2.5
1-7/16 ▲	243260	243422	3/8 x 3/16 x 8-1/16	3/8 x 3/16 x 2-1/4	5.6	2.7
1-3/8 ▲	243284	243421	5/16 x 5/32 x 8-1/16	5/16 x 5/32 x 2-1/4	5.8	3.2
1-5/16 ▲	243282	243420	5/16 x 5/32 x 8-1/16	5/16 x 5/32 x 2-1/4	5.8	3.8

† DODGE standard belt guards will not fit this motor mount.

† Shaft key furnished.

▲ Check the driven shaft and key for strength.

◆ Preferred bore. No bushing required for this bore size.

○ Stock TXT305 Reducers are drilled for vertical mounting.

♣ Made to order.

■ See page G2-201 for reducer part numbers and drill and tap dimensions. for Flange Mount TXT Reducers. Now available only as special factory order.

● Taper Bushed Reducers require bushing for all bore sizes.

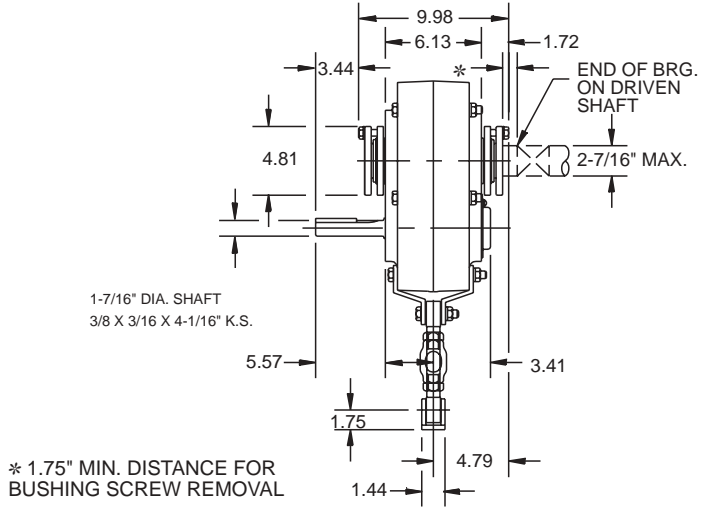
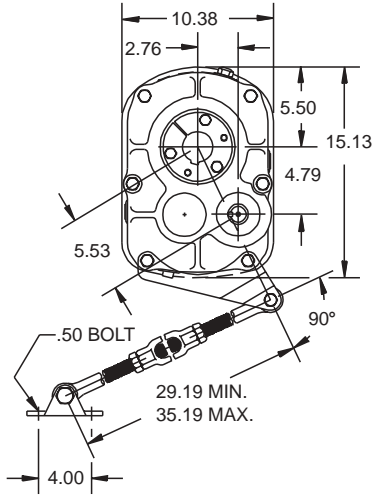
♥ Use with Taper Bushed Redudcer only. See page G2-203 for drill and tap information required to mount to reducer.

FEATURES/BENEFITS PAGE G2-3	NOMENCLATURE PAGE G2-11	SELECTION PAGE G2-13	RELATED PRODUCTS PAGE G2-152
--------------------------------	----------------------------	-------------------------	---------------------------------

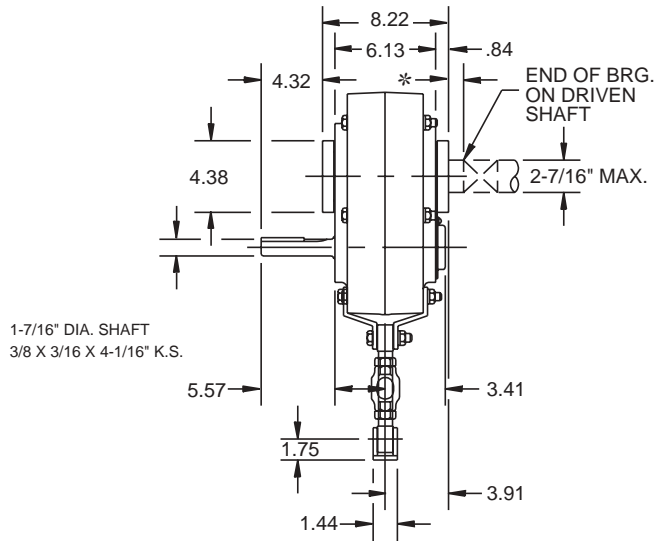
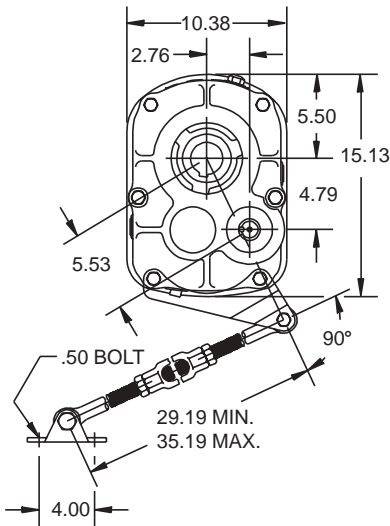
SELECTION/DIMENSIONS



TORQUE-ARM Shaft Mount Speed Reducers TXT4A - DOUBLE REDUCTION TAPER BUSHED



TXT4A - DOUBLE REDUCTION STRAIGHT BORE



FEATURES/BENEFITS PAGE G2-3	NOMENCLATURE PAGE G2-11	SELECTION PAGE G2-13	RELATED PRODUCTS PAGE G2-152
--------------------------------	----------------------------	-------------------------	---------------------------------

SELECTION/DIMENSIONS



TORQUE-ARM Shaft Mount Speed Reducers

TXT4A Taper Bushed Reducers ■ ○

Reducer Size	Part Number	AGMA Code	Actual Ratio	Weight
TXT409AT	244525	207D09	9.67	139
TXT415AT	244526	207D15	15.13	139
TXT425AT	244527	207D25	24.38	139

TXT4A Straight Bore Reducers ■ ○

Reducer Size	Part Number	AGMA Code	Actual Ratio	Weight
TXT409AS	244537 ♣	207D09	9.67	139
TXT415AS	244538	207D15	15.13	139
TXT425AS	244539	207D25	24.38	139

TXT4A Accessories

Description	Part Number	Weight
TA4M Standard Motor Mount (143T-286T)	244391	75
TA4ML Long Motor Mount (143T-286T)	244392	75
TAB4 Bottom Motor Mount (143T-326T) ♣	244404	55
TXT4A Backstop Assembly	244106	1.2
Optional Filter Breather (3/8-18 NPT)	430048	.2
TXT4-D TA Reducer Belt Guard (143T-286T)	244395	54
TXT4-D TA Reducer Belt Guard for Long Motor Mount (143T-286T) ♣	244151	65
TXT4A Cooling Fan Assembly	272594	3
TXT4A Taconite Auxiliary Seal Kit ♥	244676	7.7

TXT4 Bushing Assemblies ●

Stock Bore Size	Part Number		Shaft Keyseat Required †		Weight	
	Tapered Bushing	Straight Bore Bushing	Tapered Bushing	Straight Bore Bushing	Tapered Bushing	Straight Bore Bushing
2-7/16 (Max.)	244115	◆	5/8 x 5/16 x 9-1/32	5/8 x 5/16 x 3-3/8	5.8	-
2-1/4 ▲	244113	244430	1/2 x 1/4 x 9-1/32	1/2 x 1/4 x 3-3/8	6.3	1.2
2-3/16 ▲	244111	244429	1/2 x 1/4 x 9-1/32	1/2 x 1/4 x 3-3/8	6.7	1.5
2-1/8 ▲	244109	244428	1/2 x 1/4 x 9-1/32	1/2 x 1/4 x 3-3/8	7	2.6
2 ▲	244095	244427	1/2 x 1/4 x 9-1/32	1/2 x 1/4 x 4	7.1	2.6
1-15/16 ▲	244093	244426	1/2 x 1/4 x 9-1/32	1/2 x 1/4 x 4	7.4	3.5
1-3/4 ▲	244087	244424	3/8 x 3/16 x 9-1/32	3/8 x 3/16 x 2-7/16	8	3.6
1-11/16 ▲	244085	244423	3/8 x 3/16 x 9-1/32	3/8 x 3/16 x 2-7/16	8.3	3.6
1-1/2 ▲	244081	244421	3/8 x 3/16 x 9-1/32	3/8 x 3/16 x 2-7/16	8.3	4.1
1-7/16 ▲	244079	244420	3/8 x 3/16 x 9-1/32	3/8 x 3/16 x 2-7/16	8.8	4.1

♣ DODGE standard belt guards will not fit this motor mount.

† Shaft key furnished.

▲ Check the driven shaft and key for strength.

◆ Preferred bore. No bushing required for this bore size.

○ Stock TXT4 Reducers are drilled for vertical mounting.

♣ Made to order.

■ See page G2-201 for reducer part numbers and drill and tap dimensions. for Flange Mount TXT Reducers. Now available only as special factory order.

● Taper Bushed Reducers require bushing for all bore sizes.

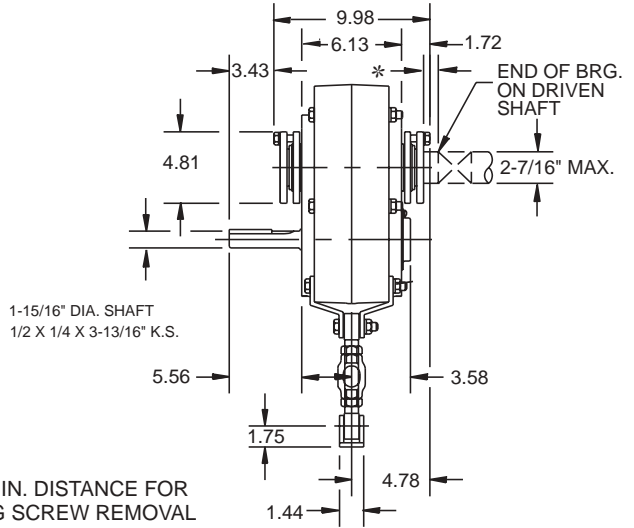
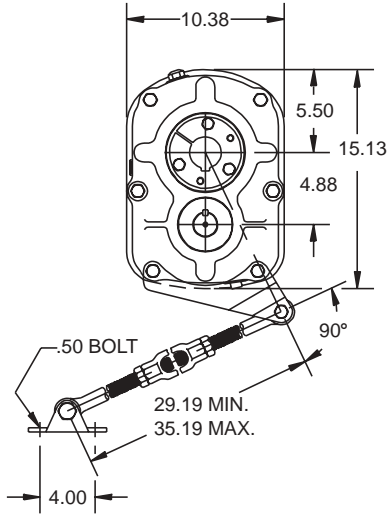
♥ Use with Taper Bushed Reducder only. See page G2-203 for drill and tap information required to mount to reducer.

FEATURES/BENEFITS PAGE G2-3	NOMENCLATURE PAGE G2-11	SELECTION PAGE G2-13	RELATED PRODUCTS PAGE G2-152
--------------------------------	----------------------------	-------------------------	---------------------------------

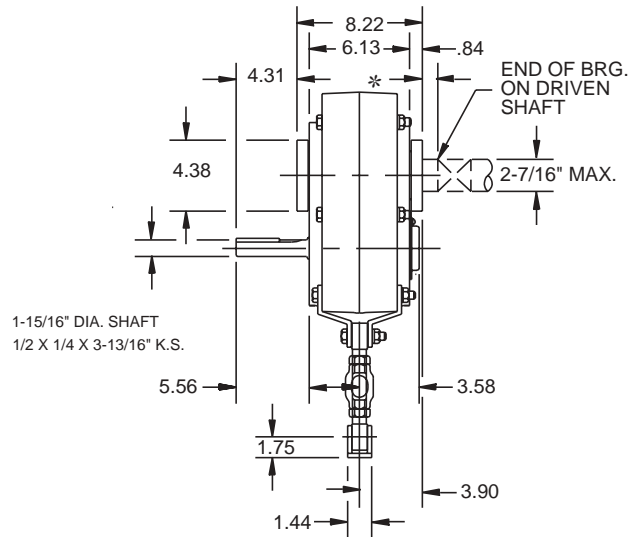
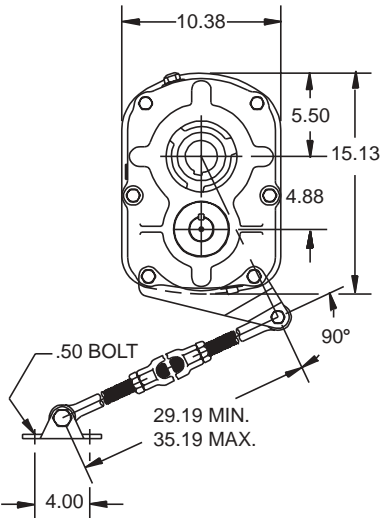


SELECTION/DIMENSIONS

TORQUE-ARM Shaft Mount Speed Reducers TXT405A - SINGLE REDUCTION TAPER BUSHED



TXT405A - SINGLE REDUCTION STRAIGHT BORE



FEATURES/BENEFITS PAGE G2-3	NOMENCLATURE PAGE G2-11	SELECTION PAGE G2-13	RELATED PRODUCTS PAGE G2-152
--------------------------------	----------------------------	-------------------------	---------------------------------

SELECTION/DIMENSIONS



TORQUE-ARM Shaft Mount Speed Reducers

TXT405A Taper Bushed Reducers ■ ○

Reducer Size	Part Number	AGMA Code	Actual Ratio	Weight
TXT405AT	254200	207S05	5.65	122

TXT405A Straight Bore Reducers ■ ○

Reducer Size	Part Number	AGMA Code	Actual Ratio	Weight
TXT405AS	254204	207S05	5.65	122

TXT405A Accessories

Description	Part Number	Weight
TA4M Standard Motor Mount (143T-286T)	244391	75
TA4ML Long Motor Mount (143T-286T)	244392	75
TAB4 Bottom Motor Mount (143T-326T) ♣	244404	55
TXT405A Backstop Assembly	244148	.9
Optional Filter Breather (3/8-18 NPT)	430048	.2
TXT4-S TA Reducer Belt Guard (143T-286T)	244397	54
TXT4-S TA Reducer Belt Guard for Long Motor Mount (143T-286T) ♣	244164	65
TXT405A Cooling Fan Assembly	254268	3
TXT405A Taconite Auxiliary Seal Kit ♥	254267	7.9

TXT4 Bushing Assemblies ●

Stock Bore Size	Part Number		Shaft Keyseat Required †		Weight	
	Tapered Bushing	Straight Bore Bushing	Tapered Bushing	Straight Bore Bushing	Tapered Bushing	Straight Bore Bushing
2-7/16 (Max.)	244115	◆	5/8 x 5/16 x 9-1/32	5/8 x 5/16 x 3-3/8	5.8	-
2-1/4 ▲	244113	244430	1/2 x 1/4 x 9-1/32	1/2 x 1/4 x 3-3/8	6.3	1.2
2-3/16 ▲	244111	244429	1/2 x 1/4 x 9-1/32	1/2 x 1/4 x 3-3/8	6.7	1.5
2-1/8 ▲	244109	244428	1/2 x 1/4 x 9-1/32	1/2 x 1/4 x 3-3/8	7	2.6
2 ▲	244095	244427	1/2 x 1/4 x 9-1/32	1/2 x 1/4 x 4	7.1	2.6
1-15/16 ▲	244093	244426	1/2 x 1/4 x 9-1/32	1/2 x 1/4 x 4	7.4	3.5
1-3/4 ▲	244087	244424	3/8 x 3/16 x 9-1/32	3/8 x 3/16 x 2-7/16	8	3.6
1-11/16 ▲	244085	244423	3/8 x 3/16 x 9-1/32	3/8 x 3/16 x 2-7/16	8.3	3.6
1-1/2 ▲	244081	244421	3/8 x 3/16 x 9-1/32	3/8 x 3/16 x 2-7/16	8.3	4.1
1-7/16 ▲	244079	244420	3/8 x 3/16 x 9-1/32	3/8 x 3/16 x 2-7/16	8.8	4.1

♣ DODGE standard belt guards will not fit this motor mount.

† Shaft key furnished.

▲ Check the driven shaft and key for strength.

◆ Preferred bore. No bushing required for this bore size.

○ Stock TXT405 Reducers are drilled for vertical mounting.

♣ Made to order.

■ See page G2-201 for reducer part numbers and drill and tap dimensions.

for Flange Mount TXT Reducers. Now available only as special factory order.

● Taper Bushed Reducers require bushing for all bore sizes.

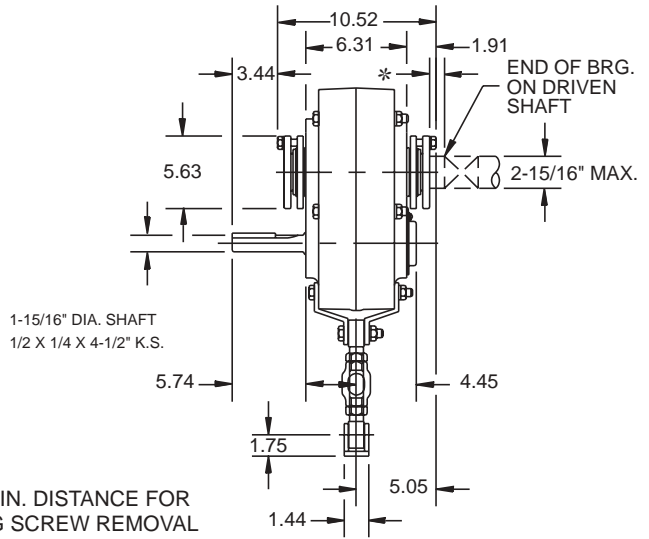
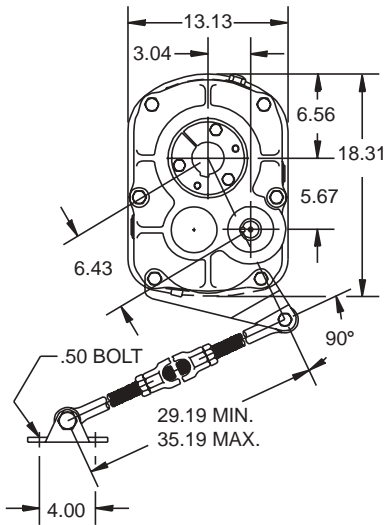
♥ Use with Taper Bushed Reducer only. See page G2-203 for drill and tap information required to mount to reducer.

FEATURES/BENEFITS PAGE G2-3	NOMENCLATURE PAGE G2-11	SELECTION PAGE G2-13	RELATED PRODUCTS PAGE G2-152
--------------------------------	----------------------------	-------------------------	---------------------------------

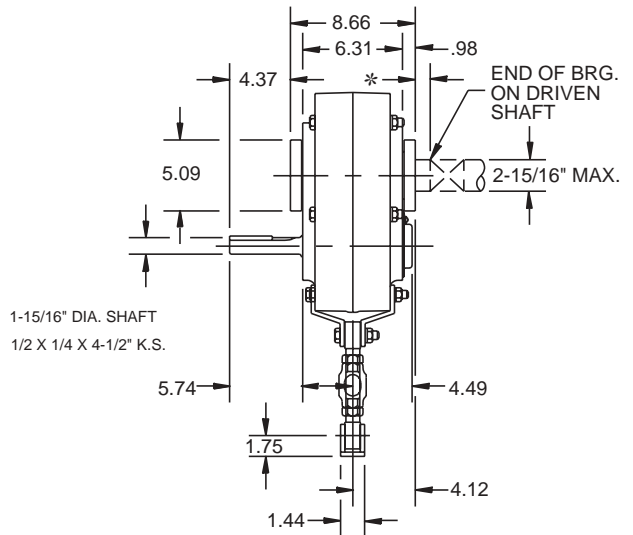
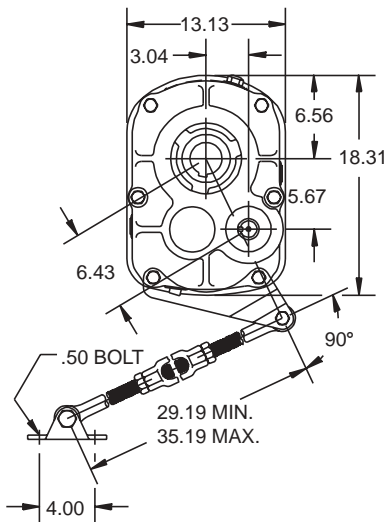


SELECTION/DIMENSIONS

TORQUE-ARM Shaft Mount Speed Reducers TXT5B - DOUBLE REDUCTION TAPER BUSHED



TXT5B - DOUBLE REDUCTION STRAIGHT BORE



FEATURES/BENEFITS PAGE G2-3	NOMENCLATURE PAGE G2-11	SELECTION PAGE G2-13	RELATED PRODUCTS PAGE G2-152
--------------------------------	----------------------------	-------------------------	---------------------------------

SELECTION/DIMENSIONS



TORQUE-ARM Shaft Mount Speed Reducers

TXT5B Taper Bushed Reducers ■ ○

Reducer Size	Part Number	AGMA Code	Actual Ratio	Weight
TXT509BT	245550	215D09	8.95	207
TXT515BT	245551	215D15	15.40	207
TXT525BT	245552	215D25	25.56	207

TXT5B Straight Bore Reducers ■ ○

Reducer Size	Part Number	AGMA Code	Actual Ratio	Weight
TXT509BS	245562 ♣	215D09	8.95	207
TXT515BS	245563	215D15	15.40	207
TXT525BS	245564	215D25	25.56	207

TXT5B Accessories

Description	Part Number	Weight
TA5M Standard Motor Mount (143T-286T)	245391	76
TA5M Special Motor Mount (324T-326T) ♠	245393	79
TA5ML Long Motor Mount (143T-286T)	245392	89
TAB5 Bottom Motor Mount (143T-326T) ♠	245405	55
TXT5B Backstop Assembly	245154	2.2
Optional Filter Breather (1/2-14 NPT)	430049	.2
TXT5-D TA Reducer Belt Guard (143T-286T)	245387	75
TXT5-D TA Reducer Belt Guard for Long Motor Mount (143T-286T) ♣	245102	90
TXT5B Cooling Fan Assembly	272369	3
TXT5B Taconite Auxiliary Seal Kit ♥	245635	11.9

TXT5 Bushing Assemblies ●

Stock Bore Size	Part Number		Shaft Keyseat Required †		Weight	
	Tapered Bushing	Straight Bore Bushing	Tapered Bushing	Straight Bore Bushing	Tapered Bushing	Straight Bore Bushing
2-15/16 (Max.)	245112	◆	3/4 x 3/8 x 9-3/8	3/4 x 3/8 x 4-3/8	7.8	-
2-11/16	245110	245428	5/8 x 5/16 x 9-3/8	5/8 x 5/16 x 4-3/8	7.9	3
2-1/2 ▲	245099	245427	5/8 x 5/16 x 9-3/8	5/8 x 5/16 x 4-3/8	8.5	3.4
2-7/16 ▲	245094	245426	5/8 x 5/16 x 9-3/8	5/8 x 5/16 x 4-3/8	8.5	4.3
2-1/4 ▲	245092	245425	1/2 x 1/4 x 9-3/8	1/2 x 1/4 x 3	9.2	4.7
2-3/16 ▲	245090	245424	1/2 x 1/4 x 9-3/8	1/2 x 1/4 x 3	10	5.6
2 ▲	245088	245423	1/2 x 1/4 x 9-3/8	1/2 x 1/4 x 3	10.2	5.9
1-15/16 ▲	245086	245422	1/2 x 1/4 x 9-3/8	1/2 x 1/4 x 3	10.3	6.1

♠ DODGE standard belt guards will not fit this motor mount.

† Shaft key furnished.

▲ Check the driven shaft and key for strength.

◆ Preferred bore. No bushing required for this bore size.

○ Stock TXT5 Reducers are drilled for vertical mounting.

♣ Made to order.

■ See page G2-201 for reducer part numbers and drill and tap

dimensions for Flange Mount TXT Reducers. Now available only as special factory order.

● Taper Bushed Reducers require bushing for all bore sizes.

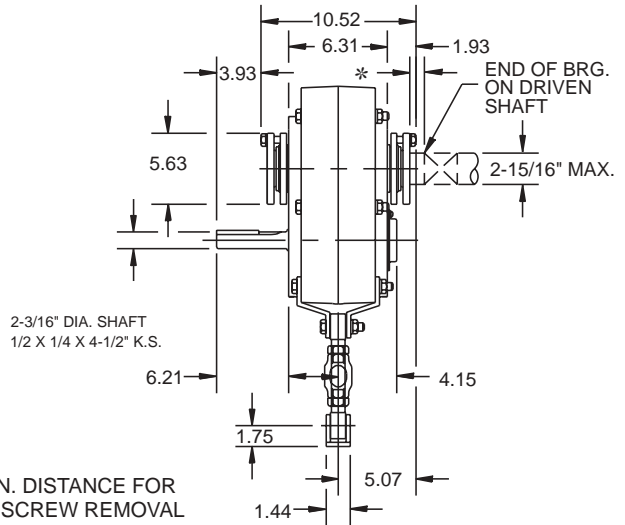
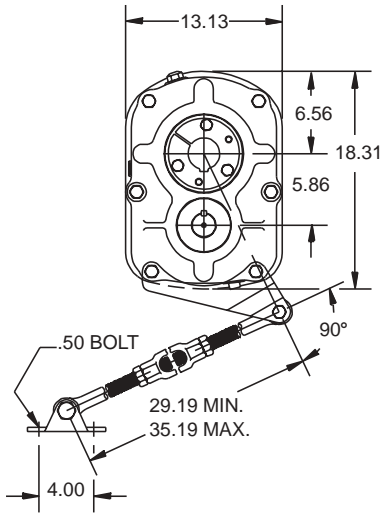
♥ Use with Taper Bushed Reducer only. See page G2-203 for drill and tap information required to mount to reducer.

FEATURES/BENEFITS PAGE G2-3	NOMENCLATURE PAGE G2-11	SELECTION PAGE G2-13	RELATED PRODUCTS PAGE G2-152
--------------------------------	----------------------------	-------------------------	---------------------------------

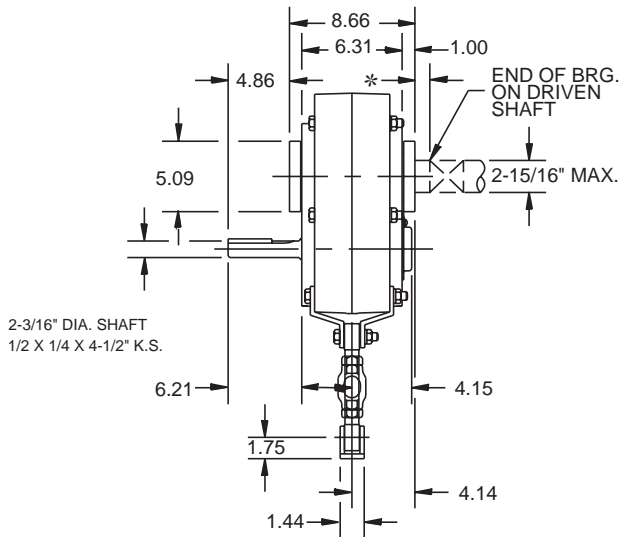
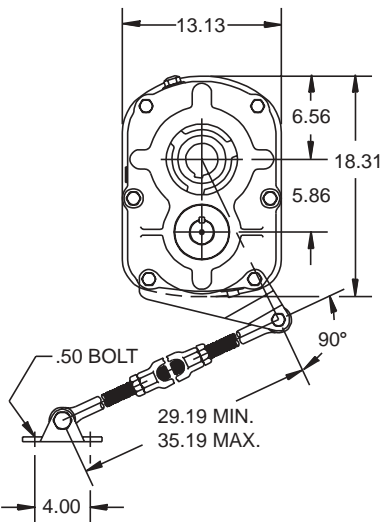


SELECTION/DIMENSIONS

TORQUE-ARM Shaft Mount Speed Reducers TXT505A - SINGLE REDUCTION TAPER BUSHED



TXT505A - SINGLE REDUCTION STRAIGHT BORE



FEATURES/BENEFITS PAGE G2-3	NOMENCLATURE PAGE G2-11	SELECTION PAGE G2-13	RELATED PRODUCTS PAGE G2-152
--------------------------------	----------------------------	-------------------------	---------------------------------

SELECTION/DIMENSIONS



TORQUE-ARM Shaft Mount Speed Reducers

TXT505A Taper Bushed Reducers ■ ○

Reducer Size	Part Number	AGMA Code	Actual Ratio	Weight
TXT505AT	255200	215S05	5.67	182

TXT505A Straight Bore Reducers ■ ○

Reducer Size	Part Number	AGMA Code	Actual Ratio	Weight
TXT505AS	255204	215S05	5.67	182

TXT505A Accessories

Description	Part Number	Weight
TA5M Standard Motor Mount (143T-286T)	245391	76
TA5M Special Motor Mount (324T-326T) †	245393	79
TA5ML Long Motor Mount (143T-286T)	245392	89
TAB5 Bottom Motor Mount (143T-326T) †	245405	55
TXT505A Backstop Assembly	246101	1.8
Optional Filter Breather (1/2-14 NPT)	430049	.2
TXT5-S TA Reducer Belt Guard (143T-286T)	245389	59
TXT5-S TA Reducer Belt Guard for Long Motor Mount (143T-286T) †	245162	90
TXT505A Cooling Fan Assembly	255231	3
TXT505A Taconite Auxiliary Seal Kit ♥	255230	12.3

TXT5 Bushing Assemblies ●

Stock Bore Size	Part Number		Shaft Keyseat Required †		Weight	
	Tapered Bushing	Straight Bore Bushing	Tapered Bushing	Straight Bore Bushing	Tapered Bushing	Straight Bore Bushing
2-15/16 (Max.)	245112	◆	3/4 x 3/8 x 9-3/8	3/4 x 3/8 x 4-3/8	7.8	-
2-11/16	245110	245428	5/8 x 5/16 x 9-3/8	5/8 x 5/16 x 4-3/8	7.9	3
2-1/2 ▲	245099	245427	5/8 x 5/16 x 9-3/8	5/8 x 5/16 x 4-3/8	8.5	3.4
2-7/16 ▲	245094	245426	5/8 x 5/16 x 9-3/8	5/8 x 5/16 x 4-3/8	8.5	4.3
2-1/4 ▲	245092	245425	1/2 x 1/4 x 9-3/8	1/2 x 1/4 x 3	9.2	4.7
2-3/16 ▲	245090	245424	1/2 x 1/4 x 9-3/8	1/2 x 1/4 x 3	10	5.6
2 ▲	245088	245423	1/2 x 1/4 x 9-3/8	1/2 x 1/4 x 3	10.2	5.9
1-15/16 ▲	245086	245422	1/2 x 1/4 x 9-3/8	1/2 x 1/4 x 3	10.3	6.1

‡ DODGE standard belt guards will not fit this motor mount.

† Shaft key furnished.

▲ Check the driven shaft and key for strength.

◆ Preferred bore. No bushing required for this bore size.

○ Stock TXT505 Reducers are drilled for vertical mounting.

♣ Made to order.

■ See page G2-201 for reducer part numbers and drill and tap dimensions. for Flange Mount TXT Reducers. Now available only as special factory order.

● Taper Bushed Reducers require bushing for all bore sizes.

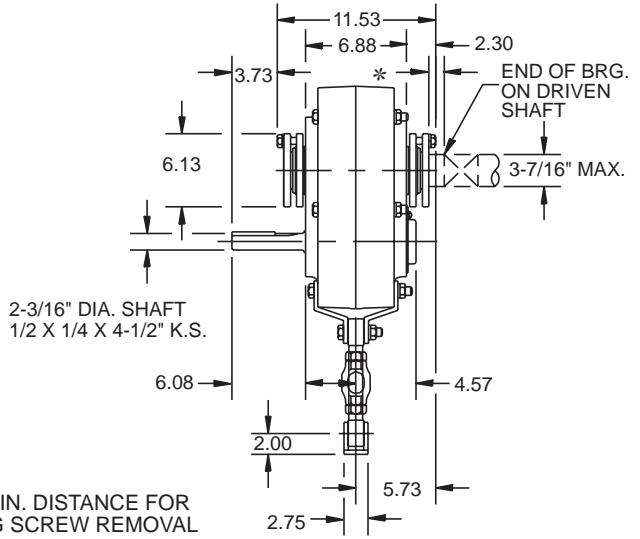
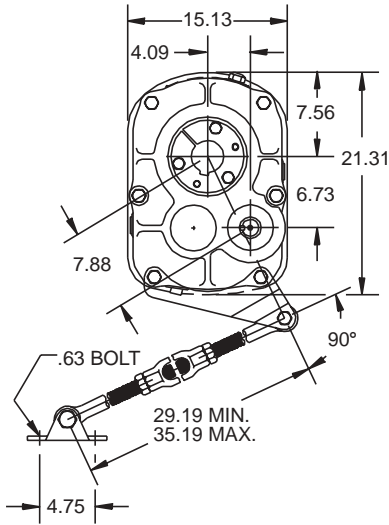
♥ Use with Taper Bushed Reducers only. See page G2-203 for drill and tap information required to mount to reducer.

FEATURES/BENEFITS PAGE G2-3	NOMENCLATURE PAGE G2-11	SELECTION PAGE G2-13	RELATED PRODUCTS PAGE G2-152
--------------------------------	----------------------------	-------------------------	---------------------------------



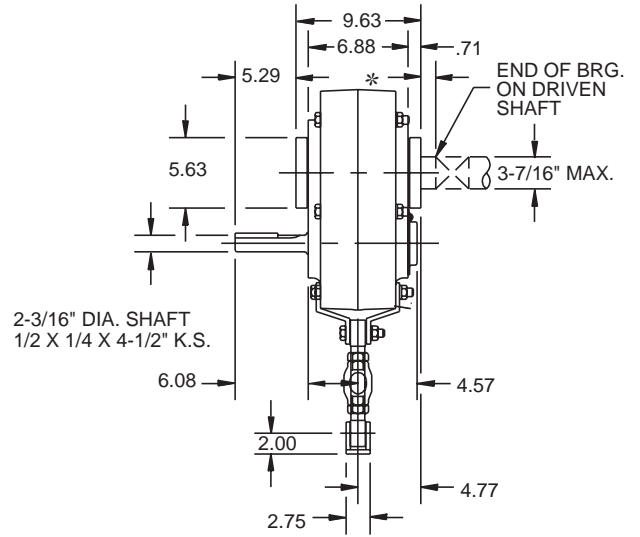
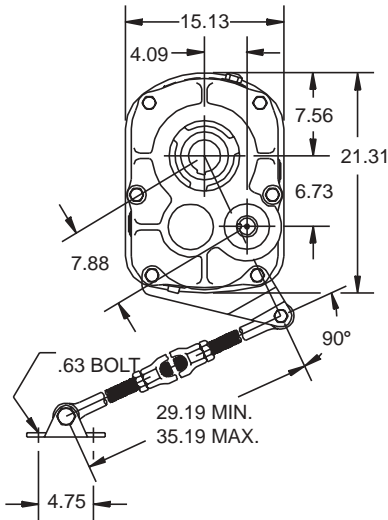
SELECTION/DIMENSIONS

TORQUE-ARM Shaft Mount Speed Reducers TXT6 - DOUBLE REDUCTION TAPER BUSHED



* 1.81" MIN. DISTANCE FOR BUSHING SCREW REMOVAL

TXT6 - DOUBLE REDUCTION STRAIGHT BORE



FEATURES/BENEFITS PAGE G2-3	NOMENCLATURE PAGE G2-11	SELECTION PAGE G2-13	RELATED PRODUCTS PAGE G2-152
--------------------------------	----------------------------	-------------------------	---------------------------------

SELECTION/DIMENSIONS



TORQUE-ARM Shaft Mount Speed Reducers

TXT6 Taper Bushed Reducers ■ ○

Reducer Size	Part Number	AGMA Code	Actual Ratio	Weight
TXT609T	246149 ♣	307D09	9.20	285
TXT615T	246150	307D15	15.33	285
TXT625T	246151	307D25	25.13	285

TXT6 Straight Bore Reducers ■ ○

Reducer Size	Part Number	AGMA Code	Actual Ratio	Weight
TXT609S	246327 ♣	307D09	9.20	285
TXT615S	246158	307D15	15.33	285
TXT625S	246159	307D25	25.13	285

TXT6 Accessories

Description	Part Number	Weight
TA6M Standard Motor Mount (143T-326T)	246391	99
TA6M Special Motor Mount (364T) ♣ ♠	246388	110
TA6ML Long Motor Mount (143T-326T)	246390	100
TAB6 Bottom Motor Mount (182T-326T) †	246392	84
TXT6 Backstop Assembly	246092	2.5
Optional Filter Breather (1/2-14 NPT)	430049	0.2
TXT6-D TA Reducer Belt Guard (143T-326T)	246366	83
TXT6-D TA Reducer Belt Guard for Long Motor Mount (143T-326T)	246147	100
TXT6 Cooling Fan Assembly	272325	3
TXT6 Taconite Auxiliary Seal Kit ♥	272450	17.7

TXT6 Bushing Assemblies ●

Stock Bore Size		Part Number		Shaft Keyseat Required †		Weight	
		Tapered Bushing	Straight Bore Bushing	Tapered Bushing	Straight Bore Bushing	Tapered Bushing	Straight Bore Bushing
3-7/16	(Max.)	246268	◆	7/8 x 7/16 x 10-11/16	7/8 x 7/16 x 5-7/8	9	-
3	▲	246283	246427	3/4 x 3/8 x 10-11/16	3/4 x 3/8 x 5-7/8	11.3	4.6
2-15/16	▲	246267	246426	3/4 x 3/8 x 10-11/16	3/4 x 3/8 x 5-7/8	11.6	6.7
2-7/8	▲	246266	246425	3/4 x 3/8 x 10-11/16	3/4 x 3/8 x 5-7/8	12.2	6.7
2-11/16	▲	246265	246424	5/8 x 5/16 x 10-11/16	5/8 x 5/16 x 5-7/8	12.9	6.7
2-1/2	▲	246264	246423	5/8 x 5/16 x 10-11/16	5/8 x 5/16 x 3-1/2	14	8.2
2-7/16	▲	246263	246422	5/8 x 5/16 x 10-11/16	5/8 x 5/16 x 3-1/2	14.4	8.5
2-1/4	▲	246262	246421	1/2 x 1/4 x 10-11/16	1/2 x 1/4 x 3-1/2	14.9	9.8
2-3/16	▲	246261	246420	1/2 x 1/4 x 10-11/16	1/2 x 1/4 x 3-1/2	15.3	11

♠ DODGE standard belt guards will not fit this motor mount.

† Shaft key furnished.

▲ Check the driven shaft and key for strength.

◆ Preferred bore. No bushing required for this bore size.

○ Stock TXT6 Reducers are drilled for vertical mounting.

♣ Made to order.

■ See page G2-201 for reducer part numbers and drill and tap dimensions. for Flange Mount TXT Reducers. Now available only as special factory order.

● Taper Bushed Reducers require bushing for all bore sizes.

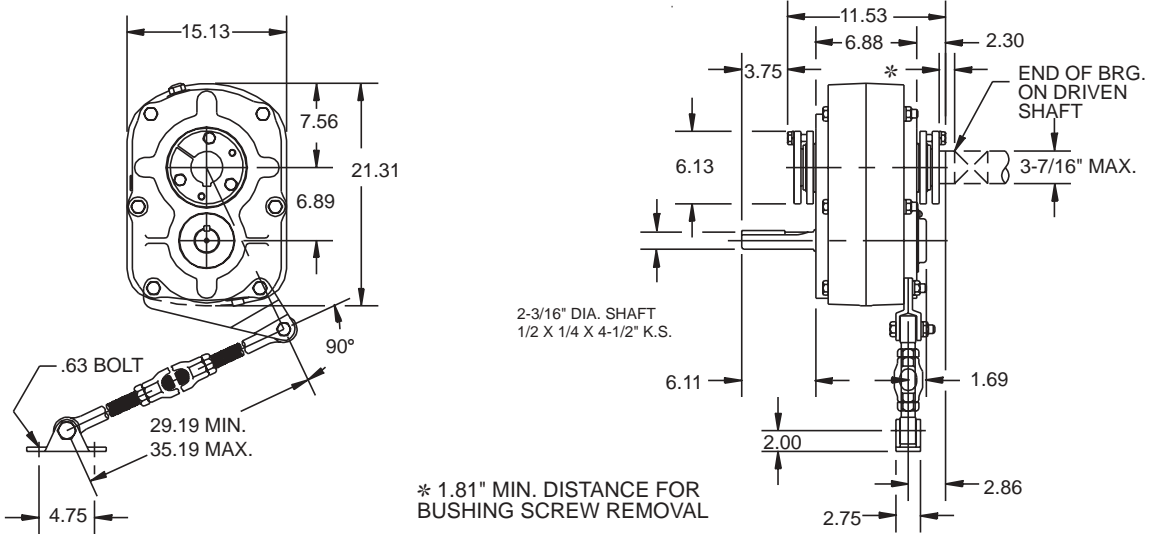
♥ Use with Taper Bushed Reducer only. See page G2-203 for drill and tap information required to mount to reducer.

FEATURES/BENEFITS PAGE G2-3	NOMENCLATURE PAGE G2-11	SELECTION PAGE G2-13	RELATED PRODUCTS PAGE G2-152
--------------------------------	----------------------------	-------------------------	---------------------------------

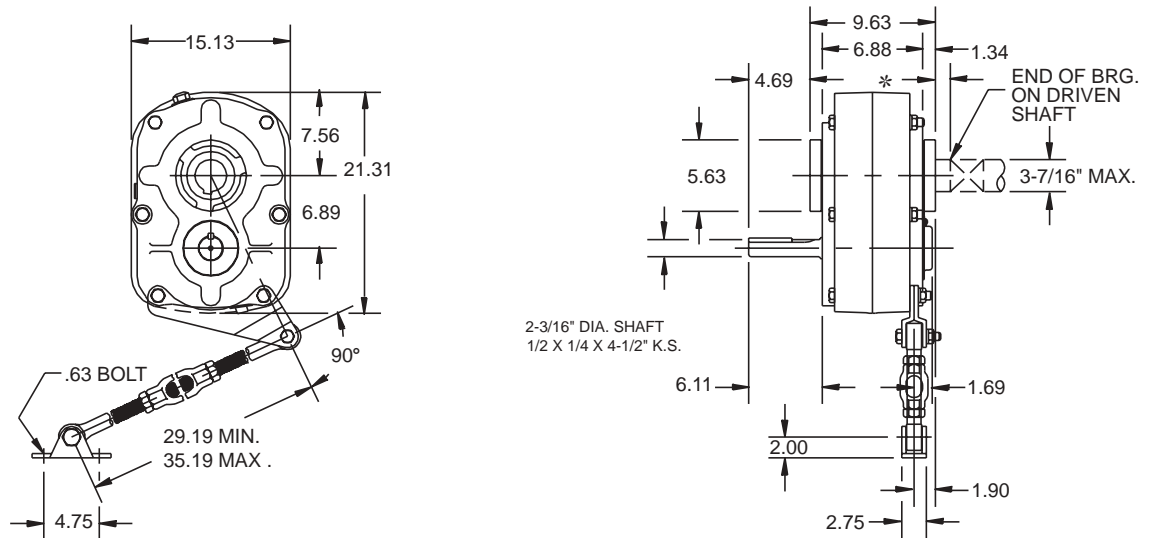


SELECTION/DIMENSIONS

TORQUE-ARM Shaft Mount Speed Reducers TXT605 - SINGLE REDUCTION TAPER BUSHED



TXT605 - SINGLE REDUCTION STRAIGHT BORE



FEATURES/BENEFITS PAGE G2-3	NOMENCLATURE PAGE G2-11	SELECTION PAGE G2-13	RELATED PRODUCTS PAGE G2-152
--------------------------------	----------------------------	-------------------------	---------------------------------

SELECTION/DIMENSIONS



TORQUE-ARM Shaft Mount Speed Reducers

TXT605 Taper Bushed Reducers ■ ○

Reducer Size	Part Number	AGMA Code	Actual Ratio	Weight
TXT605T	246380	307S05	5.67	251

TXT605 Straight Bore Reducers ■ ○

Reducer Size	Part Number	AGMA Code	Actual Ratio	Weight
TXT605S	246382	307S05	5.67	251

TXT605 Accessories

Description	Part Number	Weight
TA6M Standard Motor Mount (143T-326T)	246391	99
TA6ML Long Motor Mount (143T-326T)	246390	100
TAB6 Bottom Motor Mount (182T-326T) ♣	246392	84
TXT605 Backstop Assembly	246092	2.5
Optional Filter Breather (1/2-14 NPT)	430049	0.2
TXT6-S TA Reducer Belt Guard (143T-326T)	246368	95
TXT6-S TA Reducer Belt Guard for Long Motor Mount (143T-326T) ♣	246132	100
TXT605 Cooling Fan Assembly ♣	272681	3
TXT605 Taconite Auxiliary Seal Kit ♥	272450	17.7

TXT6 Bushing Assemblies ●

Stock Bore Size	Part Number		Shaft Keyseat Required †		Weight	
	Tapered Bushing	Straight Bore Bushing	Tapered Bushing	Straight Bore Bushing	Tapered Bushing	Straight Bore Bushing
3-7/16 (Max.)	246268	◆	7/8 x 7/16 x 10-11/16	7/8 x 7/16 x 5-7/8	9	-
3 ▲	246283	246427	3/4 x 3/8 x 10-11/16	3/4 x 3/8 x 5-7/8	11.30	4.6
2-15/16 ▲	246267	246426	3/4 x 3/8 x 10-11/16	3/4 x 3/8 x 5-7/8	11.60	6.7
2-7/8 ▲	246266	246425	3/4 x 3/8 x 10-11/16	3/4 x 3/8 x 5-7/8	12.20	6.7
2-11/16 ▲	246265	246424	5/8 x 5/16 x 10-11/16	5/8 x 5/16 x 5-7/8	12.90	6.7
2-1/2 ▲	246264	246423	5/8 x 5/16 x 10-11/16	5/8 x 5/16 x 3-1/2	14	8.2
2-7/16 ▲	246263	246422	5/8 x 5/16 x 10-11/16	5/8 x 5/16 x 3-1/2	14.40	8.5
2-1/4 ▲	246262	246421	1/2 x 1/4 x 10-11/16	1/2 x 1/4 x 3-1/2	14.90	9.8
2-3/16 ▲	246261	246420	1/2 x 1/4 x 10-11/16	1/2 x 1/4 x 3-1/2	15.30	11

♣ DODGE standard belt guards will not fit this motor mount.

† Shaft key furnished.

▲ Check the driven shaft and key for strength.

◆ Preferred bore. No bushing required for this bore size.

○ Stock TXT605 Reducers are drilled for vertical mounting.

♣ Made to order.

■ See page G2-201 for reducer part numbers and drill and tap dimensions. for Flange Mount TXT Reducers. Now available only as special factory order.

● Taper Bushed Reducers require bushing for all bore sizes.

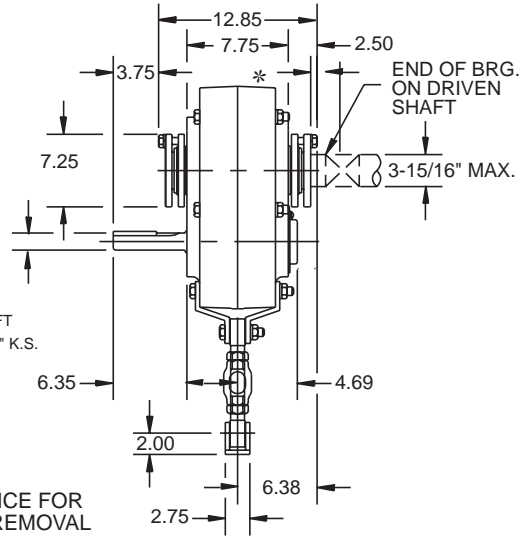
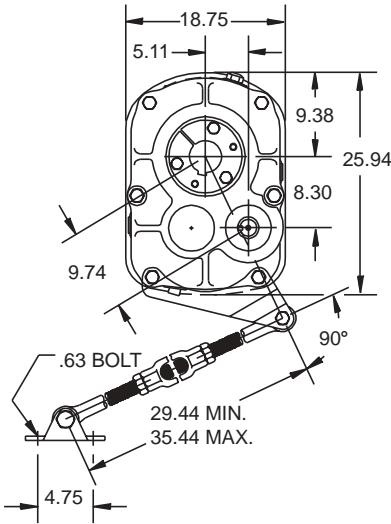
♥ Use with Taper Bushed Reducder only. See page G2-203 for drill and tap information required to mount to reducer.

FEATURES/BENEFITS PAGE G2-3	NOMENCLATURE PAGE G2-11	SELECTION PAGE G2-13	RELATED PRODUCTS PAGE G2-152
--------------------------------	----------------------------	-------------------------	---------------------------------

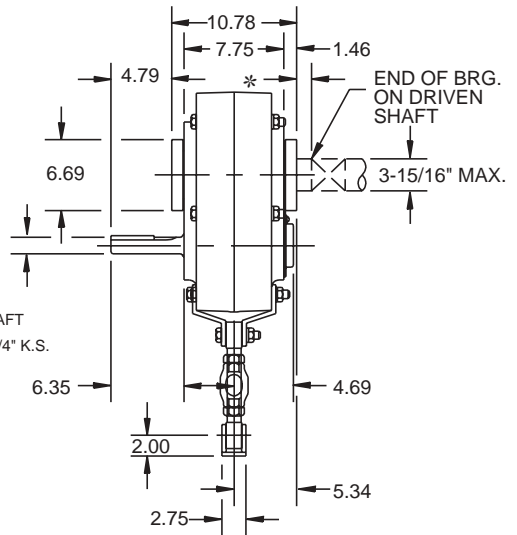
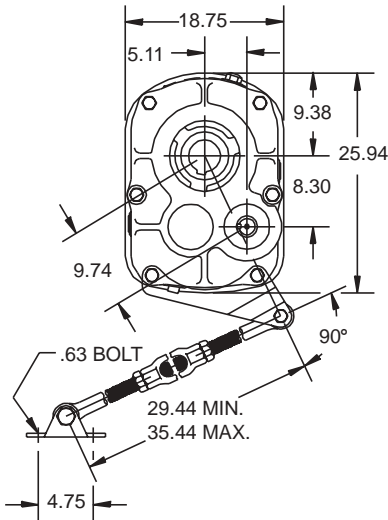


SELECTION/DIMENSIONS

TORQUE-ARM Shaft Mount Speed Reducers TXT7 - DOUBLE REDUCTION TAPER BUSHED



TXT7 - DOUBLE REDUCTION STRAIGHT BORE



FEATURES/BENEFITS PAGE G2-3	NOMENCLATURE PAGE G2-11	SELECTION PAGE G2-13	RELATED PRODUCTS PAGE G2-152
--------------------------------	----------------------------	-------------------------	---------------------------------

SELECTION/DIMENSIONS



TORQUE-ARM Shaft Mount Speed Reducers

TXT7 Taper Bushed Reducers ■ ○

Reducer Size	Part Number	AGMA Code	Actual Ratio	Weight
TXT709T	247159 ♣	315D09	9.61	462
TXT715T	247160	315D15	15.23	462
TXT725T	247161	315D25	24.59	462

TXT7 Straight Bore Reducers ■ ○

Reducer Size	Part Number	AGMA Code	Actual Ratio	Weight
TXT709S	247327 ♣	315D09	9.61	462
TXT715S	247168	315D15	15.23	462
TXT725S	247169	315D25	24.59	462

TXT7 Accessories

Description	Part Number	Weight
TA7M Standard Motor Mount (143T-365T)	247395	110
TA7ML Long Motor Mount (143T-326T)	247396	100
TAB7 Bottom Motor Mount (182T-326T) ♣	247404	105
TXT7 Backstop Assembly	247260	2.8
Optional Filter Breather (1/2-14 NPT)	430049	.2
TXT7-D TA Reducer Belt Guard (143T-365T)	247390	90
TXT7-D TA Reducer Belt Guard for Long Motor Mount (143T-365T) ♣	247152	108
TXT7 Cooling Fan Assembly	272326	6
TXT7 Taconite Auxiliary Seal Kit ♥	272451	25

TXT7 Bushing Assemblies ●

Stock Bore Size	Part Number		Shaft Keyseat Required †		Weight	
	Tapered Bushing	Straight Bore Bushing	Tapered Bushing	Straight Bore Bushing	Tapered Bushing	Straight Bore Bushing
3-15/16 (Max.)	272136	◆	1 x 1/2 x 11-27/32	1 x 1/2 x 4-7/8	13.8	-
3-7/16	272135	247428	7/8 x 7/16 x 11-27/32	7/8 x 7/16 x 6-3/8	16.9	7.8
3-3/16 ▲	272134	247427	3/4 x 3/8 x 11-27/32	3/4 x 3/8 x 6-3/8	19.2	9
3 ▲	272133	247426	3/4 x 3/8 x 11-27/32	3/4 x 3/8 x 6-3/8	20.1	10.1
2-15/16 ▲	272132	247425	3/4 x 3/8 x 11-27/32	3/4 x 3/8 x 4-7/8	21.3	10.1
2-11/16 ▲	272147	247422	5/8 x 5/16 x 11-27/32	5/8 x 5/16 x 3-1/2	23	14
2-7/16 ▲	272125	247420	5/8 x 5/16 x 11-27/32	5/8 x 5/16 x 3-1/2	24.2	14.2

♣ DODGE standard belt guards will not fit this motor mount.

† Shaft key furnished.

▲ Check the driven shaft and key for strength.

◆ Preferred bore. No bushing required for this bore size.

○ Stock TXT7 Reducers are drilled for vertical mounting.

♣ Made to order.

■ See page G2-201 for reducer part numbers and drill and tap dimensions. For Flange Mount TXT Reducers. Now available only as special factory order.

● Taper Bushed Reducers require bushing for all bore sizes.

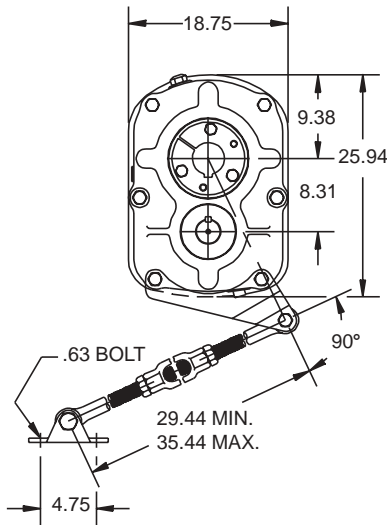
♥ Use with Taper Bushed Reducers only. See page G2-203 for drill and tap information required to mount to reducer.

FEATURES/BENEFITS PAGE G2-3	NOMENCLATURE PAGE G2-11	SELECTION PAGE G2-13	RELATED PRODUCTS PAGE G2-152
--------------------------------	----------------------------	-------------------------	---------------------------------



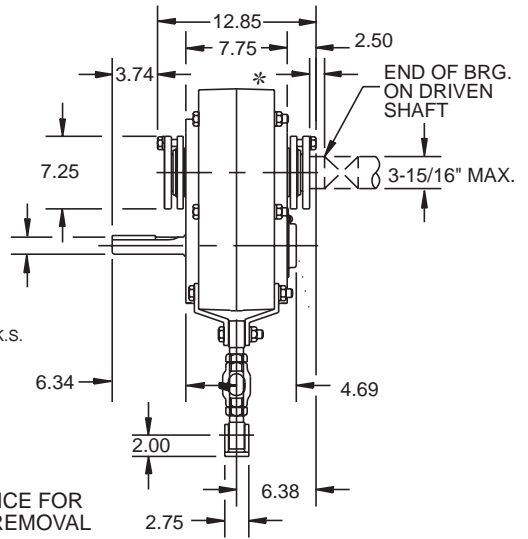
SELECTION/DIMENSIONS

TORQUE-ARM Shaft Mount Speed Reducers TXT705 - SINGLE REDUCTION TAPER BUSHED

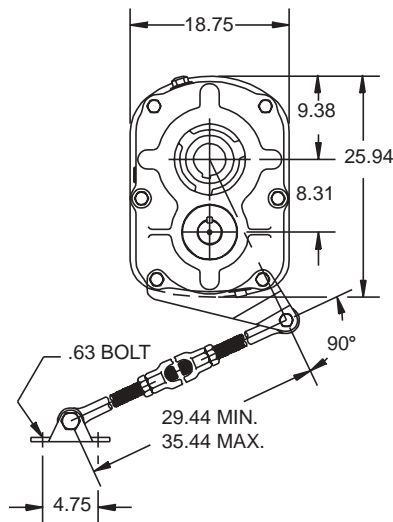


2-7/16" DIA. SHAFT
5/8 X 5/16 X 4-3/4" K.S.

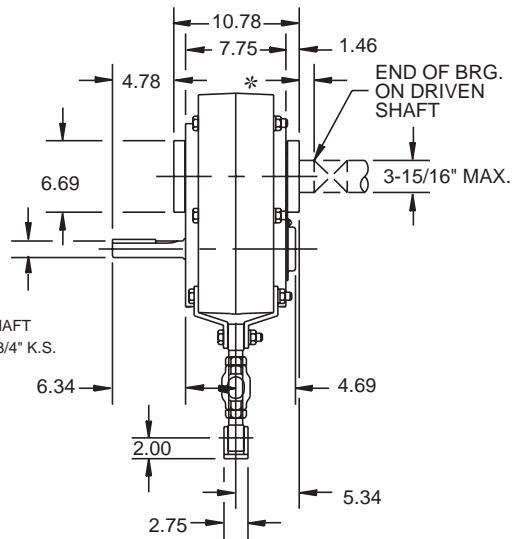
* 2.06" MIN. DISTANCE FOR
BUSHING SCREW REMOVAL



TXT705 - SINGLE REDUCTION STRAIGHT BORE



2-7/16" DIA. SHAFT
5/8 X 5/16 X 4-3/4" K.S.



FEATURES/BENEFITS PAGE G2-3	NOMENCLATURE PAGE G2-11	SELECTION PAGE G2-13	RELATED PRODUCTS PAGE G2-152
--------------------------------	----------------------------	-------------------------	---------------------------------

SELECTION/DIMENSIONS



TORQUE-ARM Shaft Mount Speed Reducers

TXT705 Taper Bushed Reducers ■ ○

Reducer Size	Part Number	AGMA Code	Actual Ratio	Weight
TXT705T	247285	315S05	5.36	410

TXT705 Straight Bore Reducers ■ ○

Reducer Size	Part Number	AGMA Code	Actual Ratio	Weight
TXT705S	247287	315S05	5.36	410

TXT705 Accessories

Description	Part Number	Weight
TA7M Standard Motor Mount (143T-365T)	247395	110
TA7ML Long Motor Mount (143T-326T)	247396	100
TAB7 Bottom Motor Mount (182T-326T) ♣	247404	105
TXT705 Backstop Assembly	247260	2.80
Optional Filter Breather (1/2-14 NPT)	430049	0.20
TXT7-S TA Reducer Belt Guard (143T-365T)	247392	112
TXT7-S TA Reducer Belt Guard for Long Motor Mount (143T-365T) ♣	247146	135
TXT705 Cooling Fan Assembly ♣	272685	6
TXT705 Taconite Auxilliary Seal Kit ♥	272451	25

TXT7 Bushing Assemblies ●

Stock Bore Size	Part Number		Shaft Keyseat Required †		Weight	
	Tapered Bushing	Straight Bore Bushing	Tapered Bushing	Straight Bore Bushing	Tapered Bushing	Straight Bore Bushing
3-15/16 (Max.)	272136	◆	1 x 1/2 x 11-27/32	1 x 1/2 x 4-7/8	13.8	-
3-7/16	272135	247428	7/8 x 7/16 x 11-27/32	7/8 x 7/16 x 6-3/8	16.9	7.8
3-3/16 ▲	272134	247427	3/4 x 3/8 x 11-27/32	3/4 x 3/8 x 6-3/8	19.2	9
3 ▲	272133	247426	3/4 x 3/8 x 11-27/32	3/4 x 3/8 x 6-3/8	20.1	10.1
2-15/16 ▲	272132	247425	3/4 x 3/8 x 11-27/32	3/4 x 3/8 x 4-7/8	21.3	10.1
2-11/16 ▲	272147	247422	5/8 x 5/16 x 11-27/32	5/8 x 5/16 x 3-1/2	23	14
2-7/16 ▲	272125	247420	5/8 x 5/16 x 11-27/32	5/8 x 5/16 x 3-1/2	24.2	14.2

♣ DODGE standard belt guards will not fit this motor mount.

† Shaft key furnished.

▲ Check the driven shaft and key for strength.

◆ Preferred bore. No bushing required for this bore size.

○ Stock TXT705 Reducers are drilled for vertical mounting.

♣ Made to order.

■ See page G2-201 for reducer part numbers and drill and tap dimensions. for Flange Mount TXT Reducers. Now available only as special factory order.

● Taper Bushed Reducers require bushing for all bore sizes.

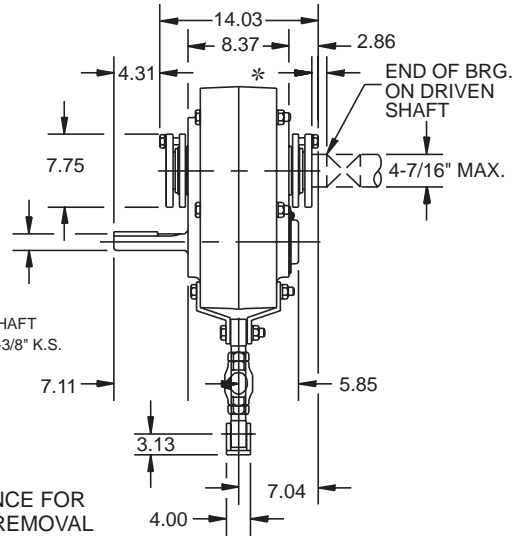
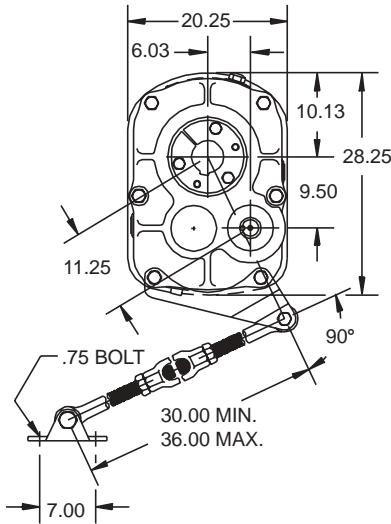
♥ Use with Taper Bushed Reducer only. See page G2-203 for drill and tap information required to mount to reducer.

FEATURES/BENEFITS PAGE G2-3	NOMENCLATURE PAGE G2-11	SELECTION PAGE G2-13	RELATED PRODUCTS PAGE G2-152
--------------------------------	----------------------------	-------------------------	---------------------------------



SELECTION/DIMENSIONS

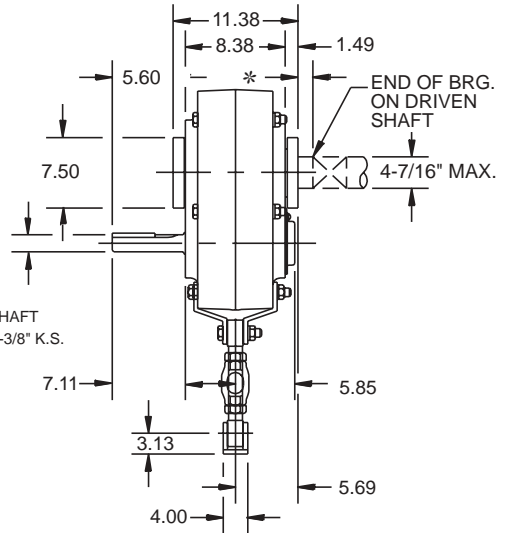
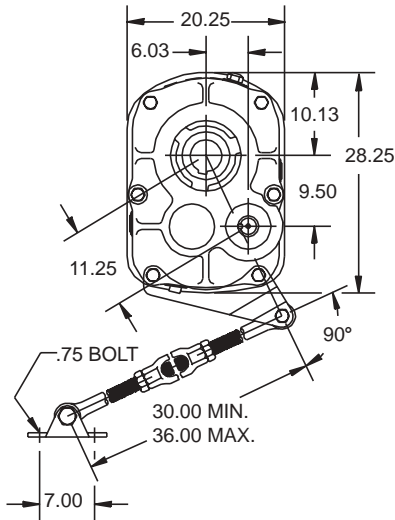
TORQUE-ARM Shaft Mount Speed Reducers TXT8 - DOUBLE REDUCTION TAPER BUSHED



2-7/16" DIA. SHAFT
5/8 X 5/16 X 5-3/8" K.S.

* 2.06" MIN. DISTANCE FOR
BUSHING SCREW REMOVAL

TXT8 - DOUBLE REDUCTION STRAIGHT BORE



2-7/16" DIA. SHAFT
5/8 X 5/16 X 5-3/8" K.S.

FEATURES/BENEFITS PAGE G2-3	NOMENCLATURE PAGE G2-11	SELECTION PAGE G2-13	RELATED PRODUCTS PAGE G2-152
--------------------------------	----------------------------	-------------------------	---------------------------------

SELECTION/DIMENSIONS



TORQUE-ARM Shaft Mount Speed Reducers

TXT8 Taper Bushed Reducers ■ ○

Reducer Size	Part Number	AGMA Code	Actual Ratio	Weight
TXT815T	248279	407D15	15.08	633
TXT825T	248280	407D25	24.62	633

TXT8 Straight Bore Reducers ■ ○

Reducer Size	Part Number	AGMA Code	Actual Ratio	Weight
TXT815S	248283	407D15	15.08	633
TXT825S	248284	407D25	24.62	633

TXT8 Bushing Assemblies ●

Stock Bore Size	Part Number		Shaft Keyseat Required †		Weight	
	Tapered Bushing	Straight Bore Bushing	Tapered Bushing	Straight Bore Bushing	Tapered Bushing	Straight Bore Bushing
4-7/16 (Max.)	272035	◆	1 x 1/2 x 13-1/16	1 x 1/2 x 6-7/8	15	-
4-3/16	272034	248424	1 x 1/2 x 13-1/16	1 x 1/2 x 6-7/8	17	6.8
3-15/16	272033	248423	1 x 1/2 x 13-1/16	1 x 1/2 x 6-7/8	20	8
3-7/16 ▲	272032	248422	7/8 x 7/16 x 13-1/16	7/8 x 7/16 x 6-7/8	25	12
2-15/16 ▲	272048	248420	3/4 x 3/8 x 13-1/16	3/4 x 3/8 x 4-3/8	29	19

◆ DODGE standard belt guards will not fit this motor mount.

† Shaft key furnished.

▲ Check the driven shaft and key for strength.

◆ Preferred bore. No bushing required for this bore size.

○ Stock TXT8 Reducers are drilled for vertical mounting.

♣ Made to order.

TXT8 Accessories

Description	Part Number	Weight
TA8 Standard Motor Mount (213T-365T)	248401	119
TAB8 Bottom Motor Mount (213T-365T) ♠	248406	120
TXT8 Backstop Assembly	249260	3.8
Optional Filter Breather (1/2-14 NPT)	430049	.2
TXT8-D TA Reducer Belt Guard (213T-365T)	248395	107
TXT8 Cooling Fan Assembly	272327	9
TXT8 Taconite Auxiliary Seal Kit ♥	272452	26.3

■ See page G2-201 for reducer part numbers and drill and tap dimensions. for Flange Mount TXT Reducers. Now available only as special factory order.

● Taper Bushed Reducers require bushing for all bore sizes.

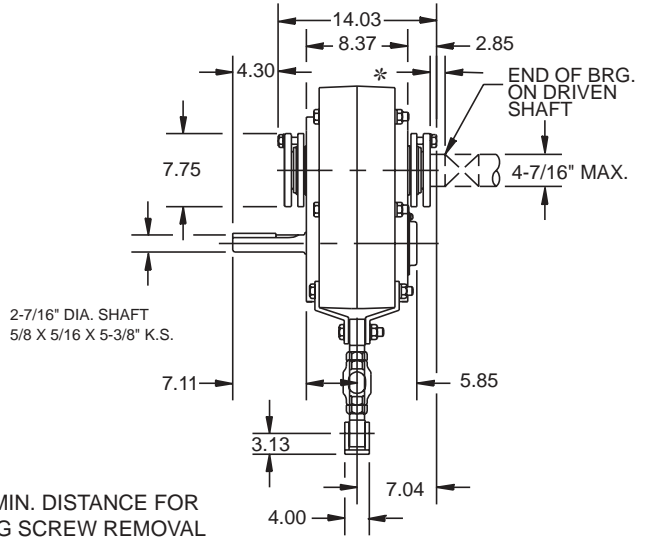
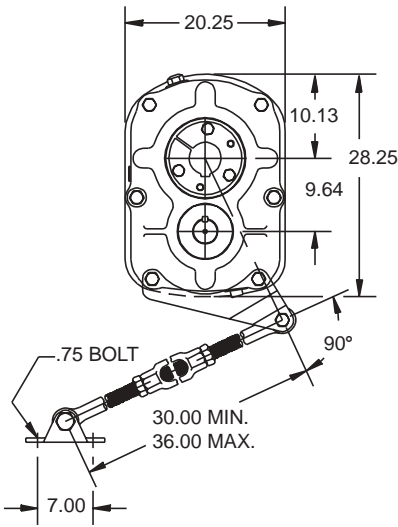
♥ Use with Taper Bushed Reducer only. See page G2-203 for drill and tap information required to mount to reducer.

FEATURES/BENEFITS PAGE G2-3	NOMENCLATURE PAGE G2-11	SELECTION PAGE G2-13	RELATED PRODUCTS PAGE G2-152
--------------------------------	----------------------------	-------------------------	---------------------------------

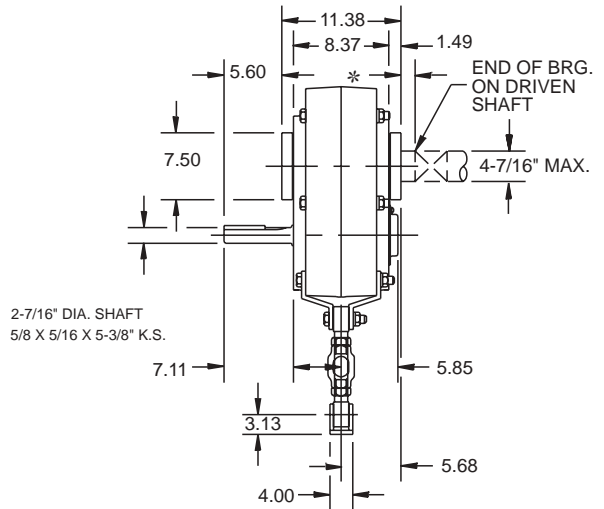
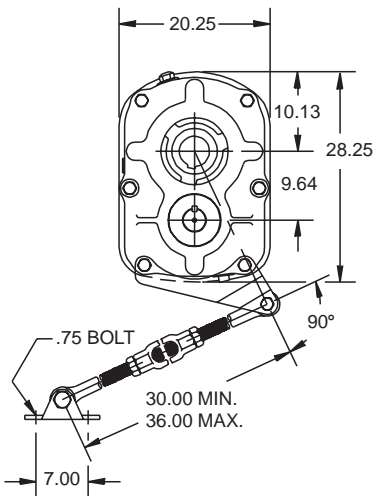


SELECTION/DIMENSIONS

TORQUE-ARM Shaft Mount Speed Reducers TXT805 - SINGLE REDUCTION TAPER BUSHED



TXT805 - SINGLE REDUCTION STRAIGHT BORE



FEATURES/BENEFITS PAGE G2-3	NOMENCLATURE PAGE G2-11	SELECTION PAGE G2-13	RELATED PRODUCTS PAGE G2-152
--------------------------------	----------------------------	-------------------------	---------------------------------

SELECTION/DIMENSIONS



TORQUE-ARM Shaft Mount Speed Reducers

TXT805 Taper Bushed Reducers ■ ○

Reducer Size	Part Number	AGMA Code	Actual Ratio	Weight
TXT805T	248275	407S05	5.50	557

TXT805 Straight Bore Reducers ■ ○

Reducer Size	Part Number	AGMA Code	Actual Ratio	Weight
TXT805S	248277	407S05	5.50	557

TXT805 Accessories

Description	Part Number	Weight
TA8 Standard Motor Mount (254T-365T)	248401	119
TAB8 Bottom Motor Mount (213T-365T) †	248406	120
TXT805 Backstop Assembly	250260	5.6
Optional Filter Breather (1/2-14 NPT)	430049	.2
TXT8-S TA Reducer Belt Guard (213T-365T)	248397	125
TXT8 Cooling Fan Assembly	272327	9
TXT8 Taconite Auxiliary Seal Kit ♥	272452	26.3

TXT8 Bushing Assemblies ●

Stock Bore Size	Part Number		Shaft Keyseat Required †		Weight	
	Tapered Bushing	Straight Bore Bushing	Tapered Bushing	Straight Bore Bushing	Tapered Bushing	Straight Bore Bushing
4-7/16 (Max.)	272035	◆	1 x 1/2 x 13-1/16	1 x 1/2 x 6-7/8	15	-
4-3/16	272034	248424	1 x 1/2 x 13-1/16	1 x 1/2 x 6-7/8	17	6.80
3-15/16	272033	248423	1 x 1/2 x 13-1/16	1 x 1/2 x 6-7/8	20	8
3-7/16 ▲	272032	248422	7/8 x 7/16 x 13-1/16	7/8 x 7/16 x 6-7/8	25	12
2-15/16 ▲	272048	248420	3/4 x 3/8 x 13-1/16	3/4 x 3/8 x 4-3/8	29	19

‡ DODGE standard belt guards will not fit this motor mount.

† Shaft key furnished.

▲ Check the driven shaft and key for strength.

◆ Preferred bore. No bushing required for this bore size.

○ Stock TXT805 Reducers are drilled for vertical mounting.

♣ Made to order.

■ See page G2-201 for reducer part numbers and drill and tap dimensions. for Flange Mount TXT Reducers. Now available only as special factory order.

● Taper Bushed Reducers require bushing for all bore sizes.

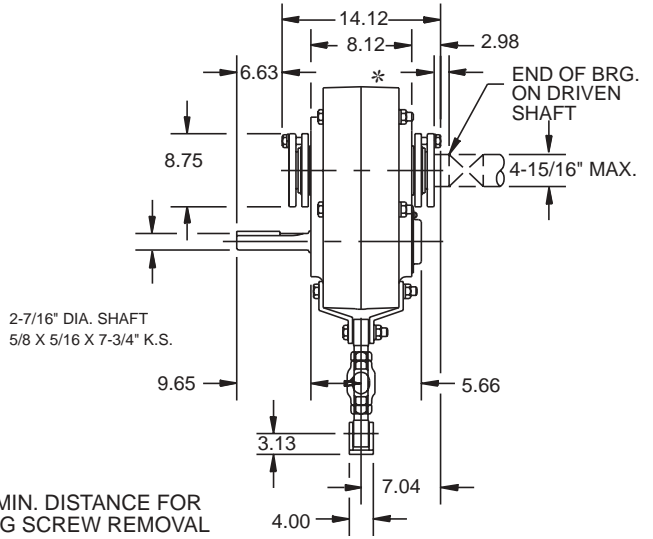
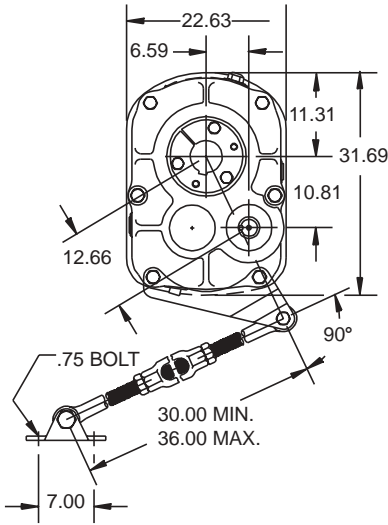
♥ Use with Taper Bushed Reducer only. See page G2-203 for drill and tap information required to mount to reducer.

FEATURES/BENEFITS PAGE G2-3	NOMENCLATURE PAGE G2-11	SELECTION PAGE G2-13	RELATED PRODUCTS PAGE G2-152
--------------------------------	----------------------------	-------------------------	---------------------------------

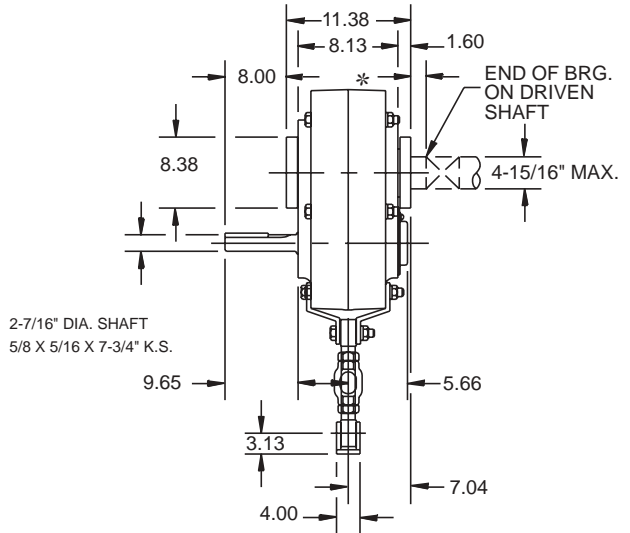
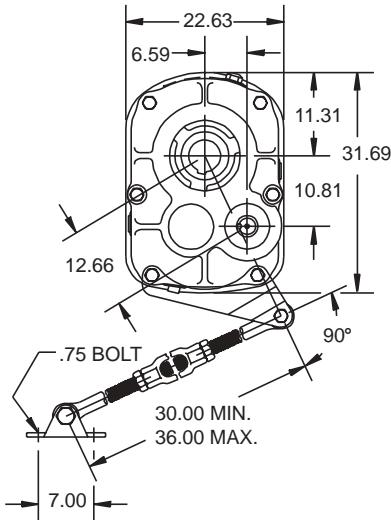


SELECTION/DIMENSIONS

TORQUE-ARM Shaft Mount Speed Reducers TXT9 - DOUBLE REDUCTION TAPER BUSHED



TXT9 - DOUBLE REDUCTION STRAIGHT BORE



FEATURES/BENEFITS PAGE G2-3	NOMENCLATURE PAGE G2-11	SELECTION PAGE G2-13	RELATED PRODUCTS PAGE G2-152
--------------------------------	----------------------------	-------------------------	---------------------------------

SELECTION/DIMENSIONS



TORQUE-ARM Shaft Mount Speed Reducers

TXT9 Taper Bushed Reducers ■ ○

Reducer Size	Part Number	AGMA Code	Actual Ratio	Weight
TXT915T	249269	415D15	15.12	760
TXT926T	249270	415D26	25.66	760

TXT9 Straight Bore Reducers ■ ○

Reducer Size	Part Number	AGMA Code	Actual Ratio	Weight
TXT915S	249273	415D15	15.12	760
TXT926S	249274	415D26	25.66	760

TXT9 Bushing Assemblies ●

Stock Bore Size	Part Number		Shaft Keyseat Required †		Weight	
	Tapered Bushing	Straight Bore Bushing	Tapered Bushing	Straight Bore Bushing	Tapered Bushing	Straight Bore Bushing
4-15/16 (Max.)	272080	◆	1-1/4 x 5/8 x 12-15/16	1-1/4 x 5/8 x 11-3/8	22	-
4-7/16	272079	249422	1 x 1/2 x 12-15/16	1 x 1/2 x 11-3/8	27	12.5
3-15/16 ▲	272077	249421	1 x 1/2 x 12-15/16	1 x 1/2 x 11-3/8	32.4	26
3-7/16 ▲	272056	249420	7/8 x 7/16 x 12-15/16	7/8 x 7/16 x 5	36	28

- ♣ DODGE standard belt guards will not fit this motor mount.
- † Shaft key furnished.
- ▲ Check the driven shaft and key for strength.
- ◆ Preferred bore. No bushing required for this bore size.
- Stock TXT9 Reducers are drilled for vertical mounting.
- ♣ Made to order.

- See page G2-201 for reducer part numbers and drill and tap dimensions. for Flange Mount TXT Reducers. Now available only as special factory order.
- Taper Bushed Reducers require bushing for all bore sizes.
- ♥ Use with Taper Bushed Reducder only. See page G2-203 for drill and tap information required to mount to reducer.

TXT9 Accessories

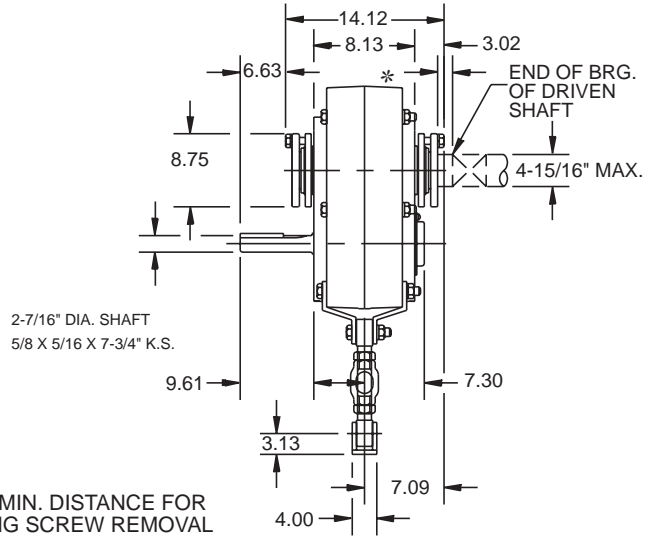
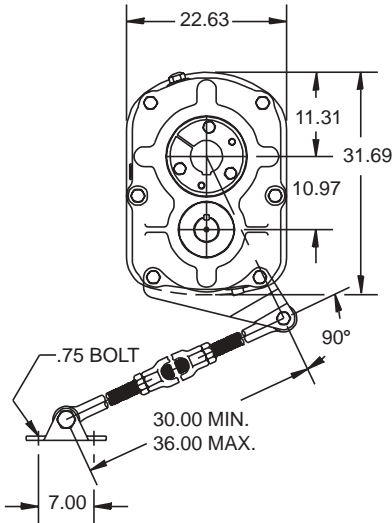
Description	Part Number	Weight
TA9 Standard Motor Mount (213T-365T)	249401	120
TA9 Special Motor Mount (404T-405T) ♣ ♣	249399	125
TAB9 Bottom Motor Mount (213T-365T) ♣	249404	125
TXT9 Backstop Assembly	249260	3.8
Optional Filter Breather (1/2-14 NPT)	430049	.2
TXT9-D TA Reducer Belt Guard (213T-365T)	249395	125
TXT9 Cooling Fan Assembly	272328	15
TXT9 Taconite Auxiliary Seal Kit ♥	272453	32.6

FEATURES/BENEFITS PAGE G2-3	NOMENCLATURE PAGE G2-11	SELECTION PAGE G2-13	RELATED PRODUCTS PAGE G2-152
--------------------------------	----------------------------	-------------------------	---------------------------------

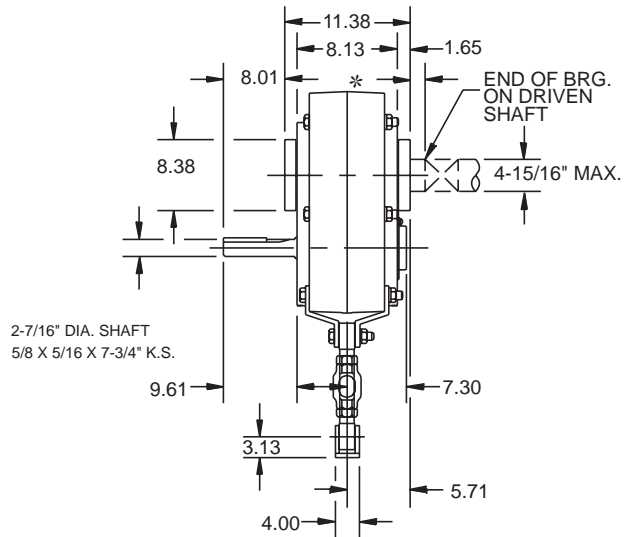
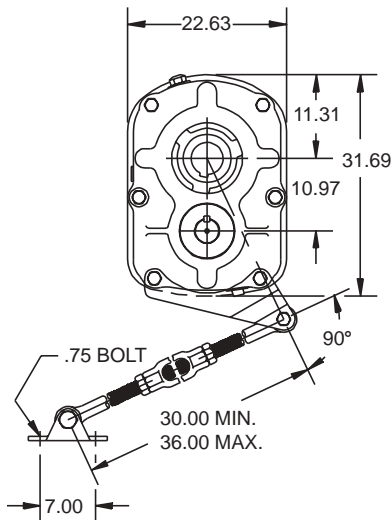


SELECTION/DIMENSIONS

TORQUE-ARM Shaft Mount Speed Reducers TXT905 - SINGLE REDUCTION TAPER BUSHED



TXT905 - SINGLE REDUCTION STRAIGHT BORE



FEATURES/BENEFITS PAGE G2-3	NOMENCLATURE PAGE G2-11	SELECTION PAGE G2-13	RELATED PRODUCTS PAGE G2-152
--------------------------------	----------------------------	-------------------------	---------------------------------

SELECTION/DIMENSIONS



TORQUE-ARM Shaft Mount Speed Reducers

TXT905 Taper Bushed Reducers ■ ○

Reducer Size	Part Number	AGMA Code	Actual Ratio	Weight
TXT905T	249265	415S05	5.38	668

TXT905 Straight Bore Reducers ■ ○

Reducer Size	Part Number	AGMA Code	Actual Ratio	Weight
TXT905S	249267	415S05	5.38	668

TXT905 Accessories

Description	Part Number	Weight
TA9 Standard Motor Mount (284T-365T)	249401	120
TA9 Special Motor Mount (404T-445T) ♣ ♠	249399	125
TAB9 Bottom Motor Mount (213T-365T) ♠	249404	125
TXT905 Backstop Assembly	272259	6.7
Optional Filter Breather (1/2-14 NPT)	430049	.2
TXT9-S TA Reducer Belt Guard (213T-365T)	249397	156
TXT905 Cooling Fan Assembly ♣	272324	15
TXT9 Taconite Auxiliary Seal Kit ♥	272453	32.6

TXT9 Bushing Assemblies ●

Stock Bore Size	Part Number		Shaft Keyseat Required †		Weight	
	Tapered Bushing	Straight Bore Bushing	Tapered Bushing	Straight Bore Bushing	Tapered Bushing	Straight Bore Bushing
4-15/16 (Max.)	272080	◆	1-1/4 x 5/8 x 12-15/16	1-1/4 x 5/8 x 11-3/8	22	-
4-7/16	272079	249422	1 x 1/2 x 12-15/16	1 x 1/2 x 11-3/8	27	12.5
3-15/16 ▲	272077	249421	1 x 1/2 x 12-15/16	1 x 1/2 x 11-3/8	32.4	26
3-7/16 ▲	272056	249420	7/8 x 7/16 x 12-15/16	7/8 x 7/16 x 5	36	28

♠ DODGE standard belt guards will not fit this motor mount.

† Shaft key furnished.

▲ Check the driven shaft and key for strength.

◆ Preferred bore. No bushing required for this bore size.

○ Stock TXT905 Reducers are drilled for vertical mounting.

♣ Made to order.

■ See page G2-201 for reducer part numbers and drill and tap dimensions. for Flange Mount TXT Reducers. Now available only as special factory order.

● Taper Bushed Reducers require bushing for all bore sizes.

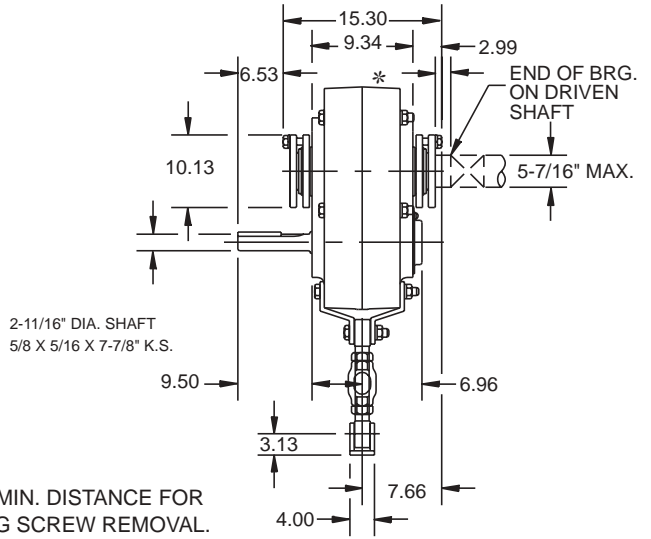
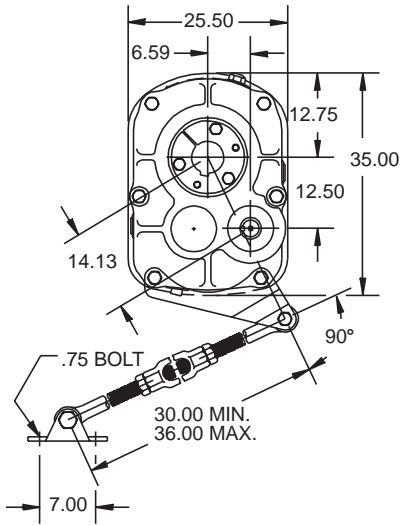
♥ Use with Taper Bushed Reducers only. See page G2-203 for drill and tap information required to mount to reducer.

FEATURES/BENEFITS PAGE G2-3	NOMENCLATURE PAGE G2-11	SELECTION PAGE G2-13	RELATED PRODUCTS PAGE G2-152
--------------------------------	----------------------------	-------------------------	---------------------------------



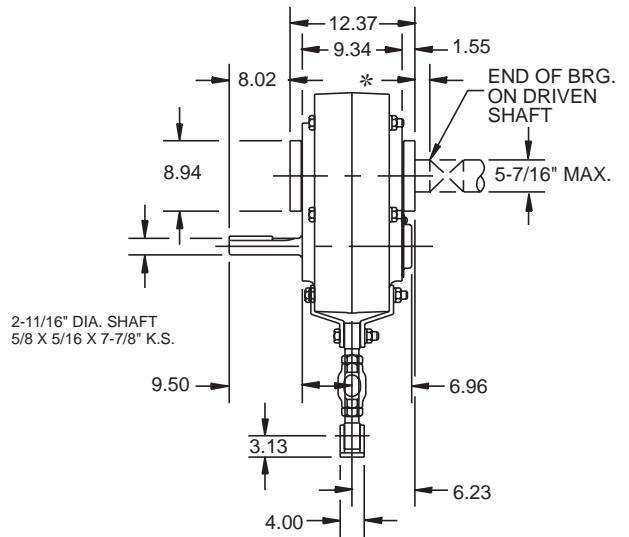
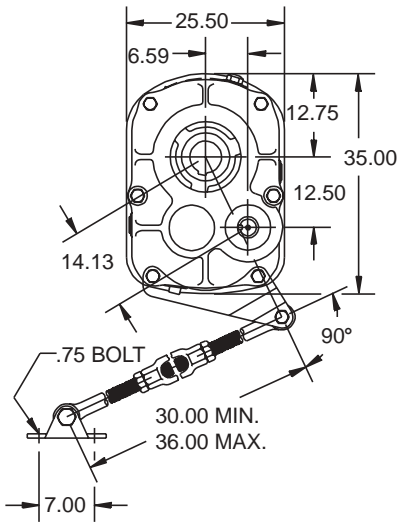
SELECTION/DIMENSIONS

TORQUE-ARM Shaft Mount Speed Reducers TXT10 - DOUBLE REDUCTION TAPER BUSHED



* 2.44" MIN. DISTANCE FOR BUSHING SCREW REMOVAL.

TXT10 - DOUBLE REDUCTION STRAIGHT BORE



FEATURES/BENEFITS PAGE G2-3	NOMENCLATURE PAGE G2-11	SELECTION PAGE G2-13	RELATED PRODUCTS PAGE G2-152
--------------------------------	----------------------------	-------------------------	---------------------------------



TORQUE-ARM Shaft Mount Speed Reducers

TXT10 Taper Bushed Reducers ■ ○

Reducer Size	Part Number	AGMA Code	Actual Ratio	Weight
TXT1015T	272600	507D15	15.16	1020
TXT1024T	272601	507D24	24.30	1020

TXT10 Straight Bore Reducers ■ ○

Reducer Size	Part Number	AGMA Code	Actual Ratio	Weight
TXT1015S	272604	507D15	15.16	1020
TXT1024S	272605	507D24	24.30	1020

TXT10 Bushing Assemblies ●

Stock Bore Size		Part Number		Shaft Keyseat Required †		Weight	
		Tapered Bushing	Straight Bore Bushing	Tapered Bushing	Straight Bore Bushing	Tapered Bushing	Straight Bore Bushing
5-7/16	(Max.)	272240	◆	1-1/4 x 5/8 x 14-1/16	1-1/4 x 5/8 x 12-3/8	26.50	-
4-15/16		272239	250422	1-1/4 x 5/8 x 14-1/16	1-1/4 x 5/8 x 12-3/8	33.50	12.90
4-7/16	▲	272238	250421	1 x 1/2 x 14-1/16	1 x 1/2 x 12-3/8	38.40	31.40
3-15/16	▲	272214	250420	1 x 1/2 x 14-1/16	1 x 1/2 x 6-5/8	44	33

♣ DODGE standard belt guards will not fit this motor mount.

† Shaft key furnished.

▲ Check the driven shaft and key for strength.

◆ Preferred bore. No bushing required for this bore size.

○ Stock TXT10 Reducers are drilled for vertical mounting.

♣ Made to order.

TXT10 Accessories

Description	Part Number	Weight
TA10 Standard Motor Mount (254T-365T)	250401	130
TA10 Special Motor Mount (404T-445T)	250404	150
TAB10 Bottom Motor Mount (254T-365T) ♣	250411	150
TXT10 Backstop Assembly	250260	5.60
Optional Filter Breather (1/2-14 NPT)	430049	0.20
TXT10-D TA Reducer Belt Guard (254T-445T)	250395	140
TXT10 Cooling Fan Assembly	272329	15
TXT10 Taconite Auxiliary Seal Kit ♥	272454	35.80

■ See page G2-201 for reducer part numbers and drill and tap dimensions. for Flange Mount TXT Reducers. Now available only as special factory order.

● Taper Bushed Reducers require bushing for all bore sizes.

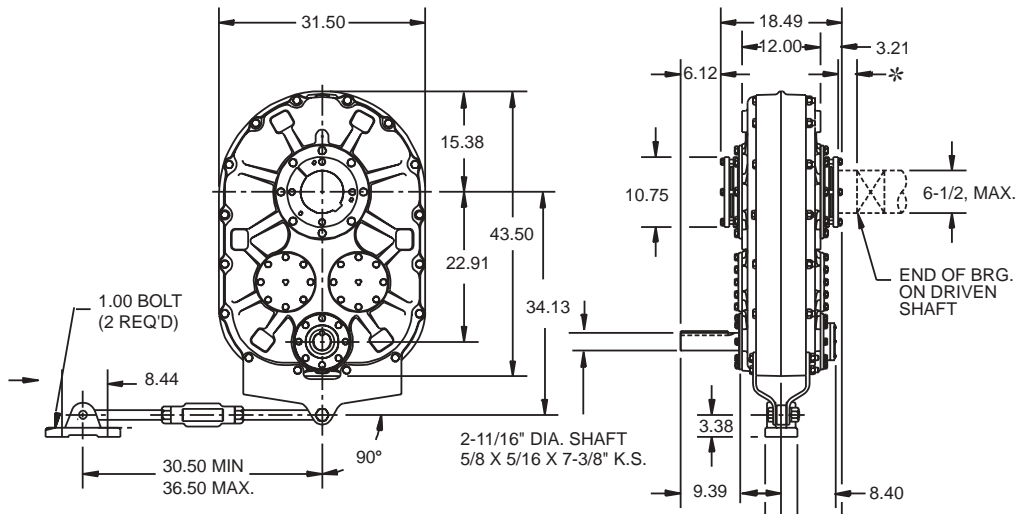
♥ Use with Taper Bushed Reducers only. See page G2-203 for drill and tap information required to mount to reducer.

FEATURES/BENEFITS PAGE G2-3	NOMENCLATURE PAGE G2-11	SELECTION PAGE G2-13	RELATED PRODUCTS PAGE G2-152
--------------------------------	----------------------------	-------------------------	---------------------------------



SELECTION/DIMENSIONS

TORQUE-ARM Shaft Mount Speed Reducers TXT12 - DOUBLE REDUCTION TAPER BUSHED



TXT12 Taper Bushed Reducers

Reducer Size	Part Number	AGMA Code	Actual Ratio	Weight
TXT1215TV	272615 ♣	608D15	14.89	1870
TXT1225TV	272617	608D25	24.65	1870

TXT12 Accessories

Description	Part Number	Weight
TA12 Standard Motor Mount (286T-445T)	272310	255
TXT12 Backstop Assembly	250260	5.6
Optional Filter Breather (1/2-14 NPT) ♣	430049	.2
TXT12 Cooling Fan Assembly	272330	15
Heat Exchanger Cooling Package	014148	55
TXT12 Taconite Auxiliary Seal Kit	272455	67.8
TXT12-D TA Reducer Belt Guard (320T-445T)	272688 ♣	170

TXT12 Tapered Bushing Assemblies ●

Stock Bore Size	Part Number	Shaft Keyseat Required †	Weight
6-1/2 (Max.)	272219	1-1/2 x 3/4 x 17-5/16	37.4
6-7/16	272218	1-1/2 x 3/4 x 17-5/16	38.4
6	272217	1-1/2 x 3/4 x 17-5/16	46.2
5-15/16	272216	1-1/2 x 3/4 x 17-5/16	47.3
5-7/16 ▲	272215	1-1/4 x 5/8 x 17-5/16	53.1

♣ DODGE standard belt guards will not fit this motor mount.

† Shaft key furnished.

▲ Check the driven shaft and key for strength.

♣ Made to order.

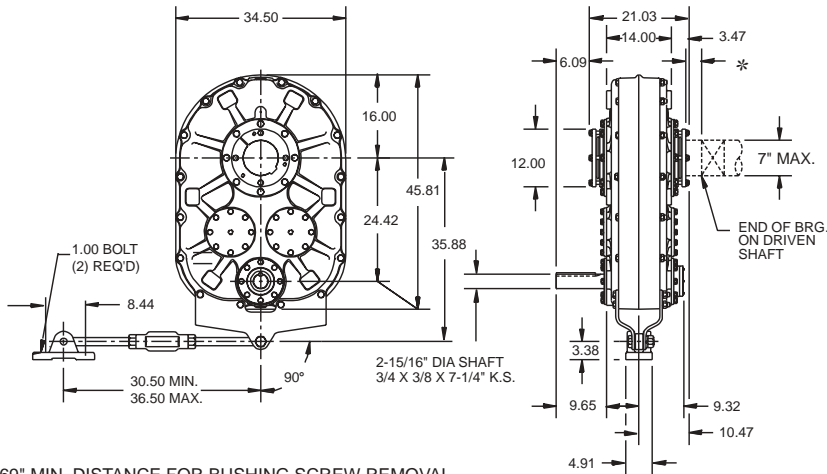
Reducers are supplied already drilled and tapped for vertical mounting and flange mounting. see page G2-201 for Flange Mounting dimensions

● Taper Bushed Reducers require bushing for all bore sizes.

SELECTION/DIMENSIONS



TORQUE-ARM Shaft Mount Speed Reducers TDT13 - DOUBLE REDUCTION TAPER BUSHED



* 2.69" MIN. DISTANCE FOR BUSHING SCREW REMOVAL.

TDT13 Taper Bushed Reducer

Reducer Size	Part Number	AGMA Code	Actual Ratio	Weight
TDT1325T	272250	700D25	24.73	2476

TDT13 Accessories

Description	Part Number	Weight
TA13 Standard Motor Mount (324T-447T)	272313	290
TDT13 Backstop Assembly	272259	6.70
Optional Filter Breather (1/2-14 NPT) †	430049	0.20
TDT13 Cooling Fan Assembly	272331	20
Heat Exchanger Cooling Package	014148	55
TDT13 Taconite Auxiliary Seal Kit	272456	87

TDT13 Tapered Bushing Assemblies ●

Stock Bore Size	Part Number	Shaft Keyseat Required †	Weight
7 (Max.)	272257	1-3/4 x 3/4 x 19-9/16	74
6-1/2 ▲	272292	1-1/2 x 3/4 x 19-9/16	92
6 ▲	272291	1-1/2 x 3/4 x 19-9/16	111
5-15/16 ▲	272290	1-1/2 x 3/4 x 19-9/16	113

‡ DODGE standard belt guards will not fit this motor mount.

† Shaft key furnished.

▲ Check the driven shaft and key for strength.

Reducers are supplied already drilled and tapped for vertical mounting and flange mounting. see page G2-201 for Flange Mounting dimensions

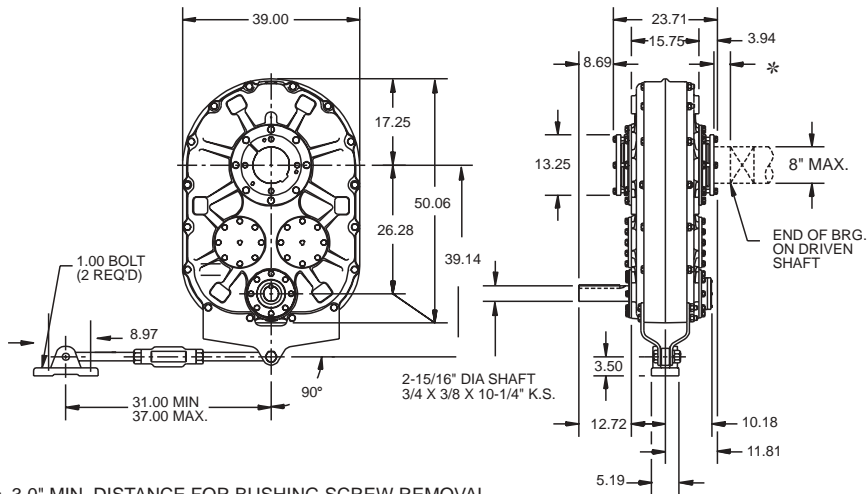
● Taper Bushed Reducers require bushing for all bore sizes.

FEATURES/BENEFITS PAGE G2-3	NOMENCLATURE PAGE G2-11	SELECTION PAGE G2-13	RELATED PRODUCTS PAGE G2-152
--------------------------------	----------------------------	-------------------------	---------------------------------

SELECTION/DIMENSIONS




TORQUE-ARM Shaft Mount Speed Reducers TDT14 - DOUBLE REDUCTION TAPER BUSHED



TDT14 Taper Bushed Reducer

Reducer Size	Part Number	AGMA Code	Actual Ratio	Weight
TDT1425T	272150 ♣	800D25	24.80	3436

TDT14 Accessories

Description	Part Number	Weight
TA14 Standard Motor Mount (324T-447T)	272318	295
TDT14 Backstop Assembly	272293	13.4
Optional Filter Breather (1/2-14 NPT) ♣	430049	.2
TDT14 Cooling Fan Assembly	272332	20
Heat Exchanger Cooling Package	014148	55
TDT14 Taconite Auxiliary Seal Kit	272457	131

TDT14 Tapered Bushing Assemblies ●

Stock Bore Size	Part Number	Shaft Keyseat Required †	Weight
8 (Max.)	272194	2 x 3/4 x 22-1/4	135
7 ▲	272193	1-3/4 x 3/4 x 22-1/4	144
6-1/2 ▲	272192 ♣	1-1/2 x 3/4 x 22-1/4	162.1
6 ▲	272191	1-1/2 x 3/4 x 22-1/4	188

♣ DODGE standard belt guards will not fit this motor mount.

† Shaft key furnished.

▲ Check the driven shaft and key for strength.

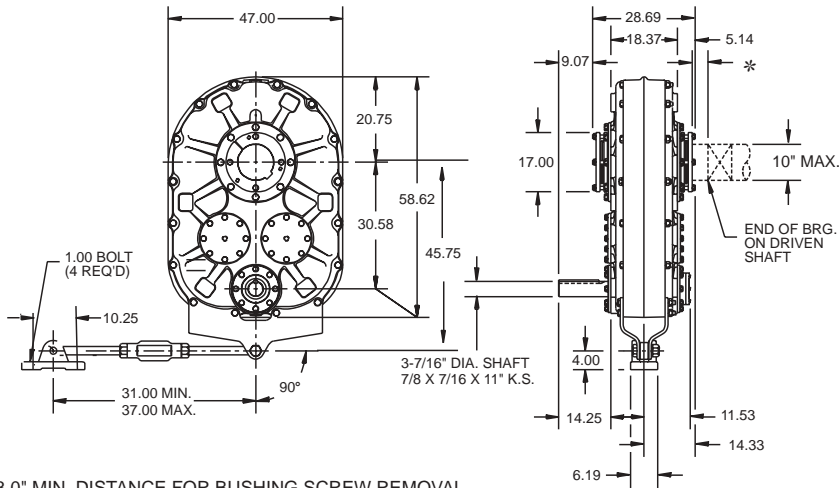
♣ Made to order.

Reducers are supplied already drilled and tapped for vertical mounting and flange mounting. see page G2-201 for Flange Mounting dimensions

● Taper Bushed Reducers require bushing for all bore sizes.



TORQUE-ARM Shaft Mount Speed Reducers TDT15 - DOUBLE REDUCTION TAPER BUSHED



* 3.0" MIN. DISTANCE FOR BUSHING SCREW REMOVAL.

TDT15 Taper Bushed Reducer

Reducer Size	Part Number	AGMA Code	Actual Ratio	Weight
TDT1530T	272370 ♣	1000D30	30.64	5622

TDT15 Accessories

Description	Part Number	Weight
TA15 Standard Motor Mount (405T-449T)	272392	300
TDT15 Backstop Assembly	272293	13.40
Optional Filter Breather (1/2-14 NPT) †	430049	0.20
TDT15 Cooling Fan Assembly	272333	23
Heat Exchanger Cooling Package	014148	55
TDT15 Taconite Auxiliary Seal Kit ♣	272458	180

TDT15 Tapered Bushing Assemblies ●

Stock Bore Size	Part Number	Shaft Keyseat Required †	Weight
10 (Max.)	272395	2-1/2 x 7/8 x 27-5/16	202
9 ▲	272396	2 x 3/4 x 27-5/16	267
8-1/2 ▲	272397	2 x 3/4 x 27-5/16	300
8 ▲	272398	2 x 3/4 x 27-5/16	307

♣ DODGE standard belt guards will not fit this motor mount.

† Shaft key furnished.

▲ Check the driven shaft and key for strength.

♣ Made to order.

□ Reducers are supplied already drilled and tapped for vertical mounting and flange mounting. see page G2-201 for Flange Mounting dimensions

● Taper Bushed Reducers require bushing for all bore sizes.

FEATURES/BENEFITS PAGE G2-3	NOMENCLATURE PAGE G2-11	SELECTION PAGE G2-13	RELATED PRODUCTS PAGE G2-152
--------------------------------	----------------------------	-------------------------	---------------------------------